

4

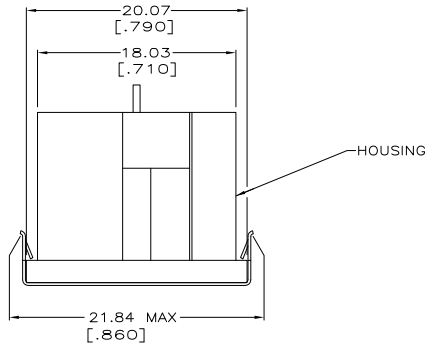
3

2

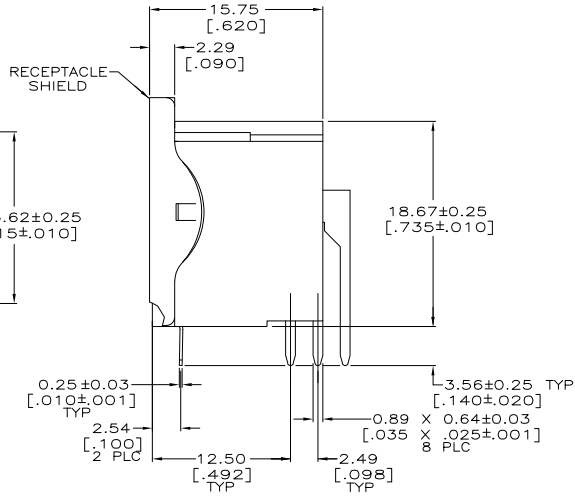
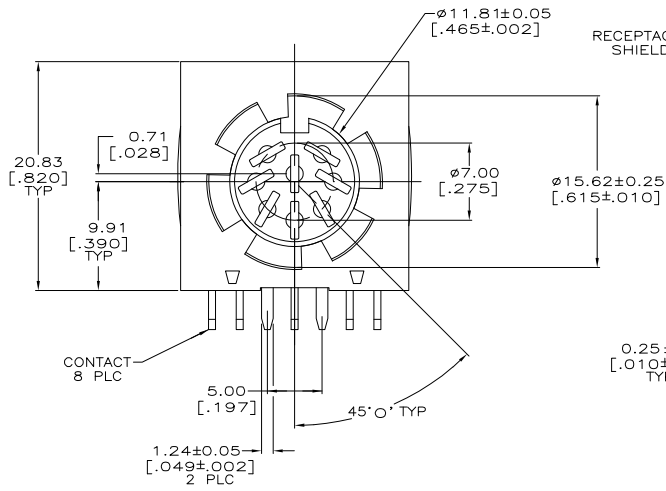
1

THIS DRAWING IS UNPUBLISHED. RELEASED FOR PUBLICATION
 © COPYRIGHT BY TYCO ELECTRONICS CORPORATION. ALL RIGHTS RESERVED.

LOC		DIBT		REVISIONS		
F	LTR	DESCRIPTION	DATE	BY	APP'D	
GP	00					
	01	REVISED PER ECO-07-008008	10APR07	JDP	CWR	



- ⚠ HOUSING: NYLON, UL 94V-0 RATED, BLACK.
- ⚠ CONTACTS & RECEPTACLE SHIELD: 2.54μm [.000100] MIN TIN OVER 1.27μm [.000050] MIN NICKEL.
- ⚠ CONTACTS & RECEPTACLE SHIELD: BRASS.



5212047
 B
 5212047-1
 PART NUMBER

THIS DRAWING IS A CONTROLLED DOCUMENT.		DN L VASELA - DOCKES	11-12-04	 Tyco Electronics Corporation Harrisburg, PA 17105-3608
DIMENSIONS: mm [INCHES]		CHK C. ROHDE	11-12-04	
0 PLC ± - 1 PLC ± - 2 PLC ± 0.13(005) 3 PLC ± - 4 PLC ± - ANGLES ± 0.30		APPC M. WALKMSLEY	11-12-04	NAME RECEPTACLE ASSY, RIGHT ANGLE, SHIELDED, 8 POSITION, CIRCULAR DIN
MATERIAL ⚠ ⚠		FINISH ⚠	PRODUCT SPEC 108-10047	SIZE A2
			APPLICATION SPEC 114-40025	CAGE CODE 00779
			WEIGHT	DRAWING NO 5212047
				RESTRICTED TO -
			CUSTOMER DRAWING	SCALE 4:1
				SHEET 1 of 1
				REV 01