

4

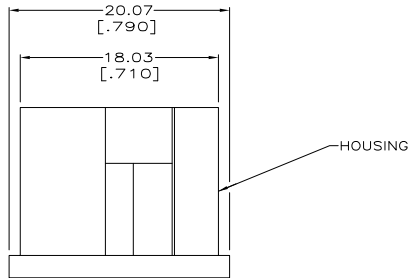
3

2

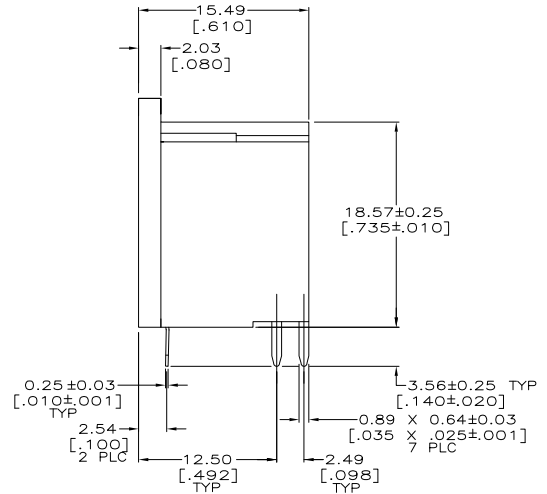
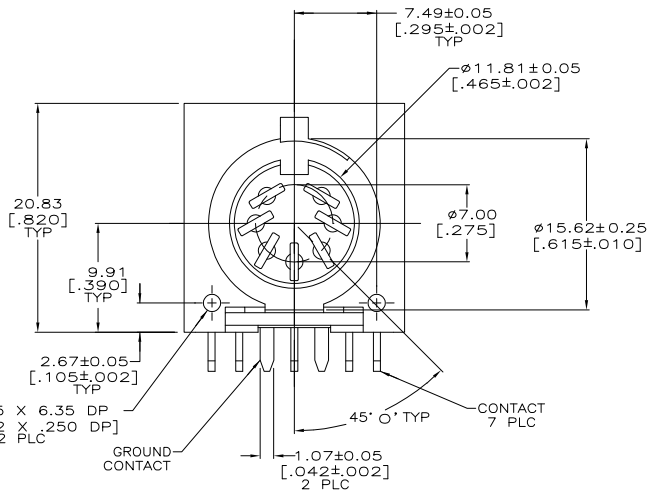
1

THIS DRAWING IS UNPUBLISHED. RELEASED FOR PUBLICATION
 BY TYCO ELECTRONICS CORPORATION. ALL RIGHTS RESERVED.

LOC	DIST	REVISIONS		
F	LTR	DESCRIPTION	DATE	BY
GP	00			
	01	REVISED PER ECO-07-008008	10APR07	JDP/CWR



- ⚠ HOUSING: NYLON, UL 94V-0 RATED, BLACK.
- ⚠ CONTACTS & GROUND CONTACT: 2.54μm [.000100] MIN TIN OVER 1.27μm [.000050] MIN NICKEL.
- ⚠ ACCEPTS #2 SELF-TAPPING SCREW, .250 LONG REF.
- ⚠ CONTACT AND GROUND CONTACT: BRASS.



5211510-1
 PART NUMBER

THIS DRAWING IS A CONTROLLED DOCUMENT.		DWG: J. VARELA - 11-11-04 CHK: DOCKES C. ROHDE M. WALMSLEY 108-10047 APPLICATION SPEC: 114-40025 WEIGHT: - FINISH: -	Tyco Electronics Tyco Electronics Corporation Harrisburg, PA 17105-3608	RECEPTACLE ASSY, RIGHT ANGLE, 7 POSITION, CIRCULAR DIN	SIZE: A2 CASE CODE: 00779 DRAWING NO: C=5211510 SCALE: 4:1 SHEET: 1 of 1 REV: 01	RESTRICTED TO
--	--	---	--	---	---	---------------