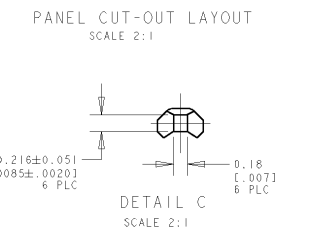
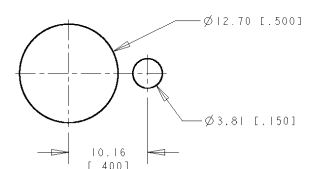
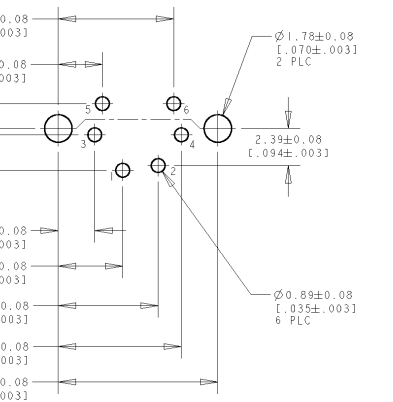
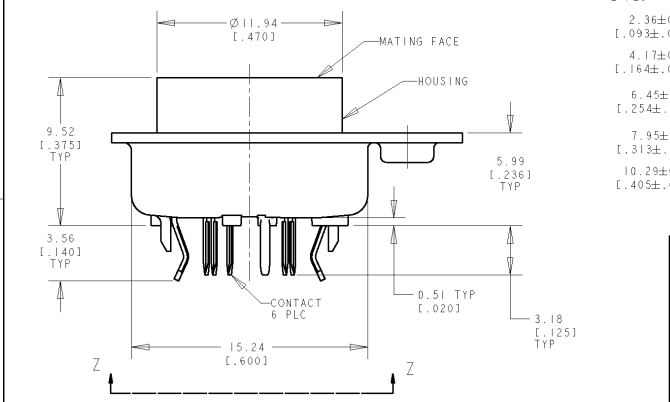
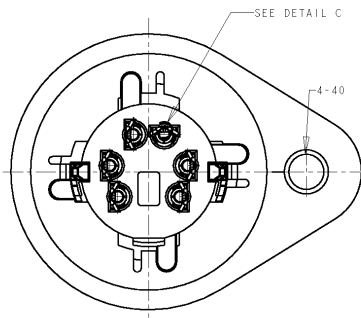
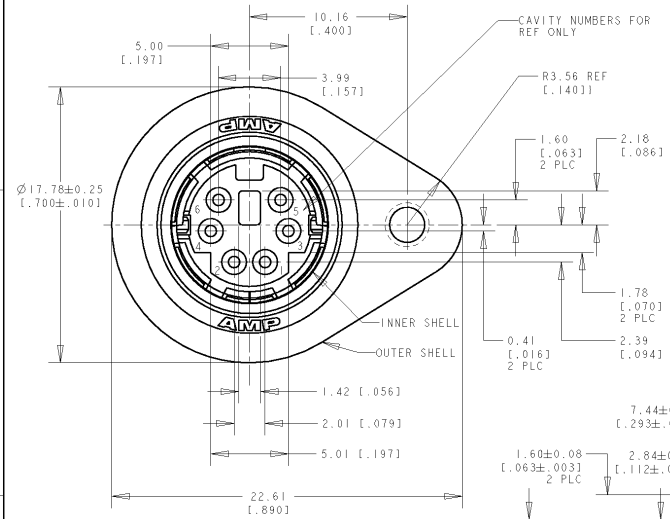


BY AMP INCORPORATED. ALL RIGHTS RESERVED.

LOC	DIST	REVISIONS					
0	-	F	LTR	DESCRIPTION	DATE	OWN	APVD
0	-	0	NPR	ECR-05-008261	21JUN05	LWY	SYJ



- NOTES:
- 1 SHELLS: BRASS  
CONTACTS: PHOSPHOR BRONZE  
HOUSING: POLYESTER, UL 94V-0 RATED, BLACK
  - 2 0.76µm [0.000030] MIN GOLD ON MATING END FOR A LENGTH OF 1.37[0.054] MIN ON INSIDE; 2.54µm [0.000100] MIN TIN FOR A LENGTH OF 3.30µm [0.130] MIN FROM OPPOSITE END, ALL OVER 1.27µm [0.000050] MIN NICKEL.
  - 3 2.54µm [0.000100] MIN TIN OVER 1.27µm [0.000200] MIN NICKEL OR COPPER.
  - 4 3.81µm [0.000150] MIN TIN OVER 2.54µm [0.00050] MIN COPPER.
  - 5 RECEPTACLE ASSEMBLY MATES WITH 6 PIN, Ø8.99±0.10 [0.354±0.004] PLUG.

RECOMMENDED PC BOARD LAYOUT BOTTOM VIEW

4	3	2	5750131-2
OUTER SHELL FINISH	INNER SHELL FINISH	CONTACT FINISH	PART NO.

<small>THIS DRAWING IS A CONTROLLED DOCUMENT FOR AMP INCORPORATED. IT IS SUBJECT TO CHANGE AND THE CONTROLING ENGINEERING ORGANIZATION SHOULD BE CONTACTED FOR THE LATEST REVISION.</small>		DWN WY LEE 21JUN2005 CHK YJ SEE APVD SF LEONG PRODUCT SPEC - APPLICATION SPEC - WEIGHT - CUSTOMER DRAWING	<b>tyco</b> Electronics Tyco Electronics Singapore Pte. Ltd. NAME RECEPTACLE ASSEMBLY, 6 POSITION, LOW FLANGE, SHIELDED, VERTICAL MOUNT, MINIATURE CIRCULAR DIN, LF SIZE A3 CAGE CODE 00779 DRAWING NO C-5750131 SCALE 5:1 SHEET 1 OF 1 REV 0
DIMENSIONS: mm [INCHES]	TOLERANCES UNLESS OTHERWISE SPECIFIED: 0 PLC ± 1 PLC ± 2 PLC ±0.13(0.005) 3 PLC ± 4 PLC ± ANGLES ± FINISH SEE TABLE	MATERIAL	MATERIAL