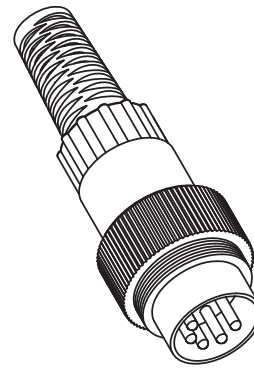
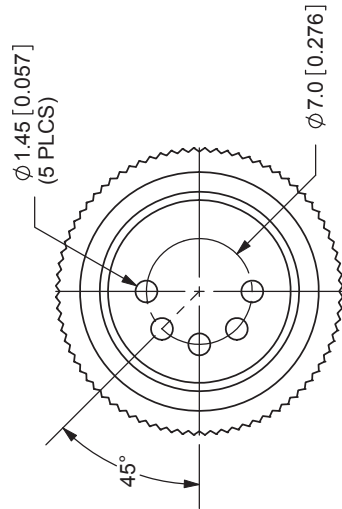
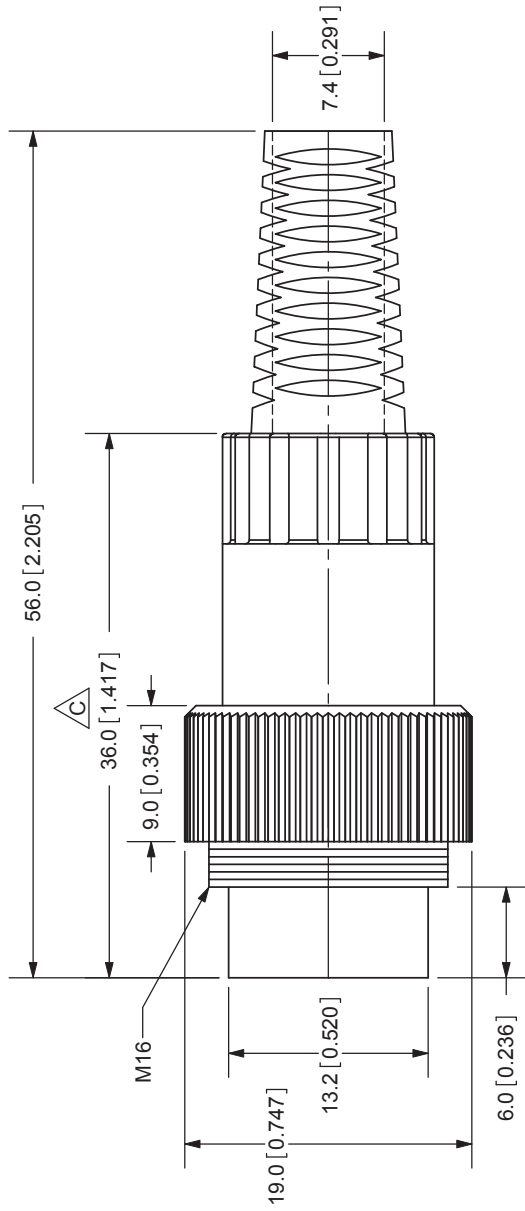


REV.	DESCRIPTION	DATE
A	NEW DRAWING	4/6/2006
B	Model update	10/6/2006
C	dimension change from 34.0 to 36.0mm	8/4/2008



SCALE 1:1



TOLERANCE:  
X.X ±0.2mm  
X.XX ±0.1mm  
X.XXX ±0.05mm



**CUI INC**

20050 SW 112th Ave.  
Tualatin, OR 97062  
Phone: 503-612-2300  
800-275-4899  
Fax: 503-612-2383  
Website: www.cui.com

TITLE: DIN PLUG, LOCKING, IN-LINE 5P	REV: C
PART NO: SD-50LP	UNITS: MM [INCHES]
DRAWN BY: ZRJ	APPROVED BY:
	SCALE: 2:1

SPECIFICATIONS:  
RATING: 100V AC @ 2A  
CONTACT RESISTANCE: 20m OHMS MAX  
INSULATION RESISTANCE: 100M OHMS MIN: 500V DC  
VOLTAGE WITHSTAND: 1000V AC R.M.S. FOR 1 MINUTE  
OPERATING TEMP: -40° ~ +85°C

PC FILE NAME: SD-50LP

COPYRIGHT 2008 BY CUI INC.