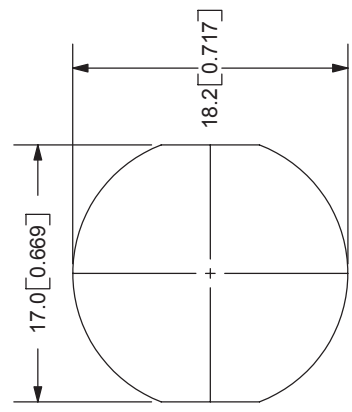
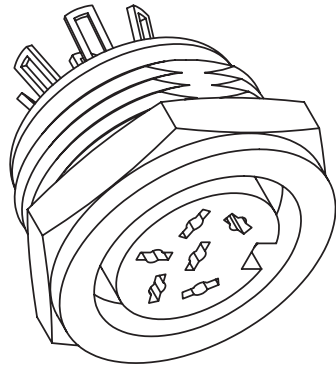
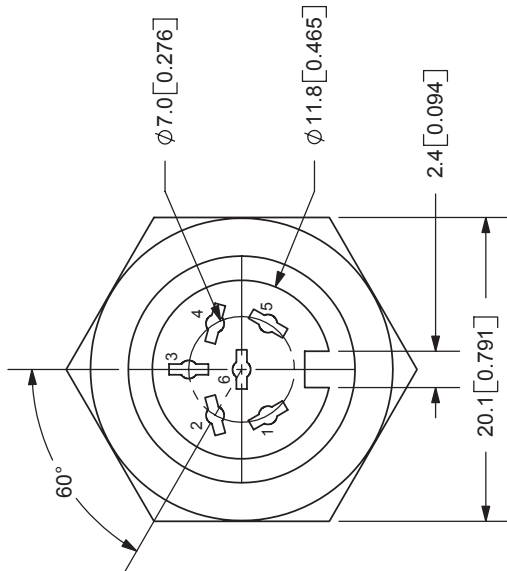
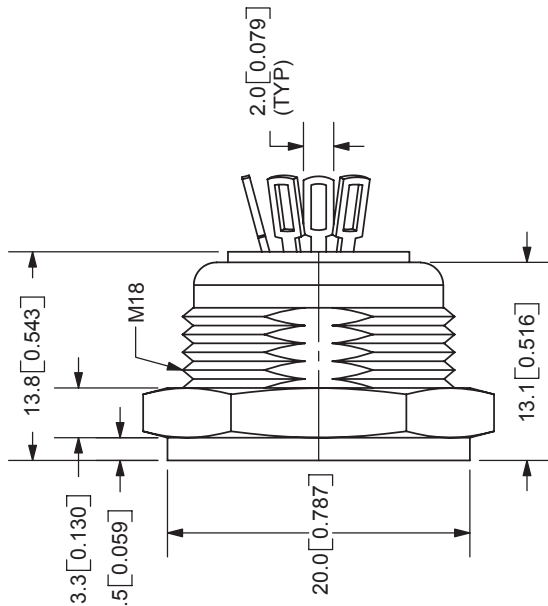


| | | |
|------|-------------|----------|
| REV. | DESCRIPTION | DATE |
| A | NEW DRAWING | 4/6/2006 |



SPECIFICATIONS:
 RATING: 100V AC @ 2A
 CONTACT RESISTANCE: 20m OHMS MAX
 INSULATION RESISTANCE: 100M OHMS MIN: 500V DC
 VOLTAGE WITHSTAND: 1000V AC R.M.S. FOR 1 MINUTE
 LIFE: 5,000 CYCLES
 OPERATING TEMP: -40° ~ +85°C



9615 SW Allen Blvd., Ste. 103
 Beaverton, OR 97005
 Phone: 503-643-4899
 800-275-4899
 Fax: 503-372-1266
 Website: www.cui.com

TOLERANCE:
 X.X ±0.2mm
 X.XX ±0.1mm
 X.XXX ±0.05mm

| | | | |
|-----------|-----------------------------|--------------|-------------|
| TITLE: | DIN RECEPTACLE, PANEL MOUNT | REV: | A |
| PART NO: | SD-60LS | UNITS: | MM [INCHES] |
| DRAWN BY: | ZRJ | APPROVED BY: | |
| | | SCALE: | 2:1 |

| | MATERIAL | PLATING |
|-------------------|----------|---------|
| CONTACT TERMINALS | Brass | Silver |
| HEX NUT | Brass | Nickel |
| COVER | Brass | Nickel |
| HOUSING | Nylon | |

PC FILE NAME: SD-60LS
 COPYRIGHT 2006 BY CUI INC.