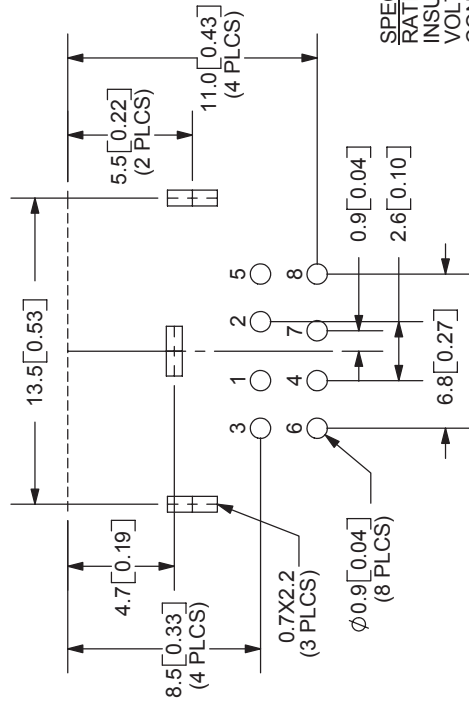
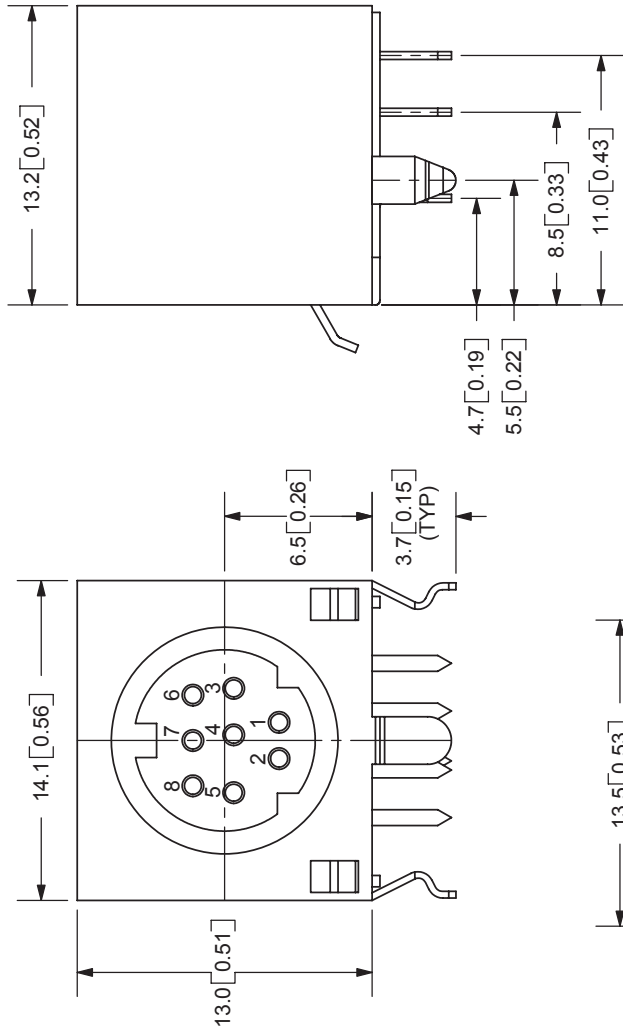
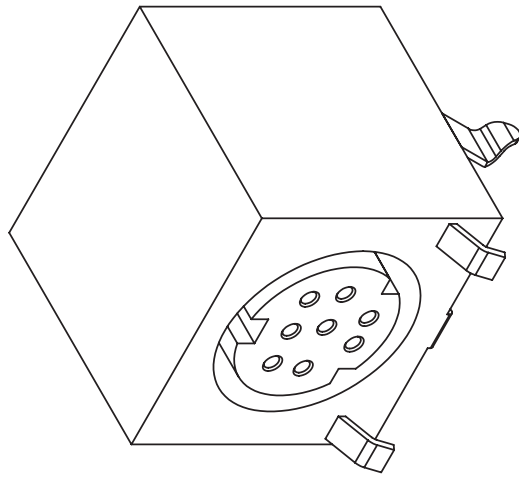


REV.	DESCRIPTION	DATE
A	NEW DRAWING	1/19/2006



**SPECIFICATIONS:**  
 RATING: 12V DC @ 2A; 100V AC @ 1A  
 INSULATION RESISTANCE: 50M OHMS MIN; 250V DC  
 VOLTAGE WITHSTAND: 250V AC R.M.S. FOR 1 MINUTE  
 CONTACT RESISTANCE: 30m OHMS MAX  
 INSERTION FORCE: 1.0KG~4.5KG  
 WITHDRAWAL FORCE: 0.8KG~3.0KG  
 LIFE: 5,000 CYCLES  
 OPERATING TEMP: -25° ~ +70°C

PCB LAYOUT  
TOP VIEW



TOLERANCE:  
±0.2mm UNLESS OTHERWISE  
SPECIFIED



20050 SW 112th Ave.  
 Tualatin, OR 97062  
 Phone: 503-643-4899  
 800-275-4899  
 Fax: 503-372-1266  
 Website: www.cui.com

TITLE:	MINIATURE CIRCULAR CON. - FULLY SHIELDED	REV:	A
PART NO:	MD-805GK	UNITS:	MM [INCHES]
DRAWN BY:	ZRJ	APPROVED BY:	
		SCALE:	3:1

CONTACT TERMINALS	MATERIAL	PLATING
EARTH TERMINALS	Phosphor Bronze	Silver
HOUSING	Brass	Tin
	PBT	

PC FILE NAME: MD-805GK

COPYRIGHT 2006 BY CUI INC.