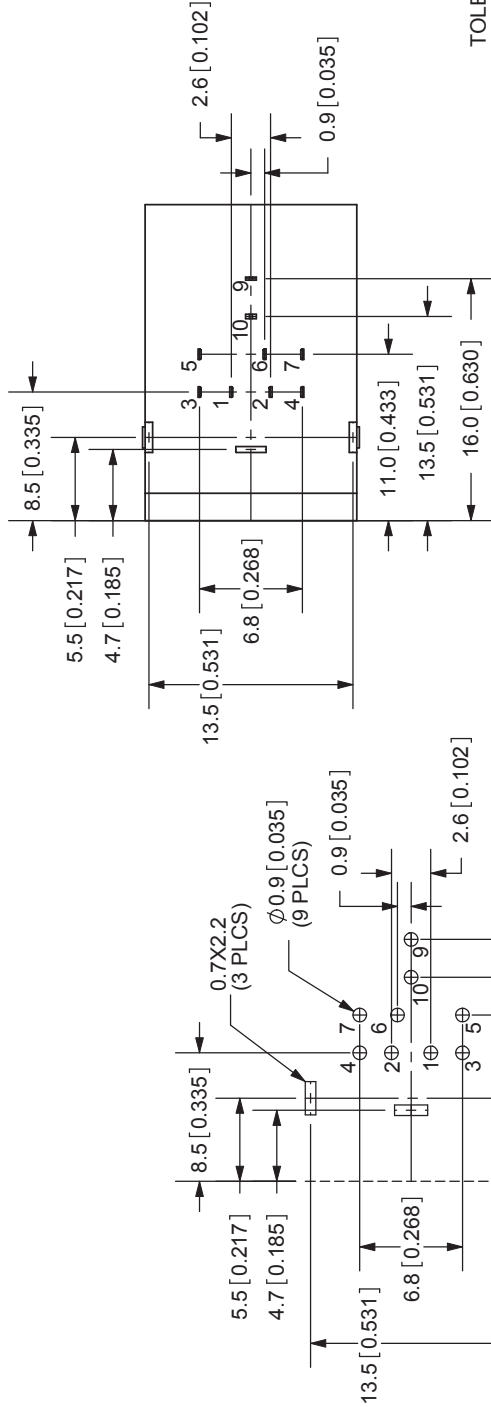
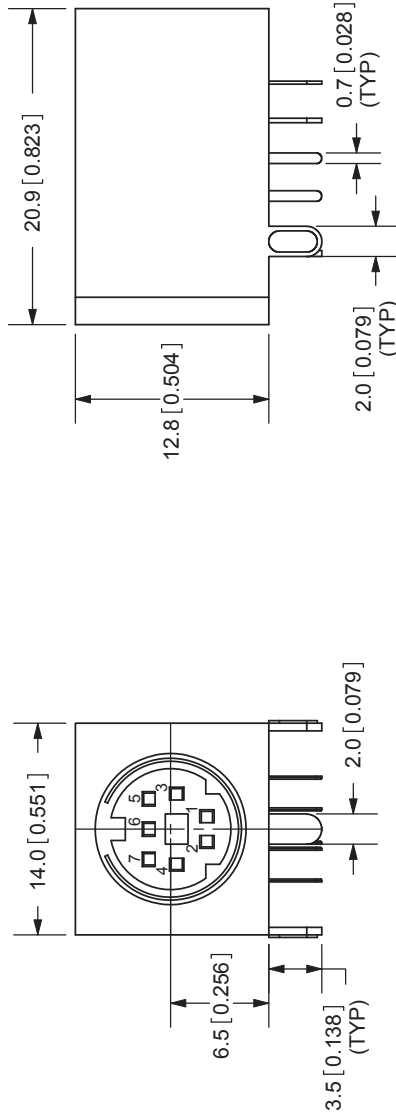


REV.	DESCRIPTION	DATE
A	NEW DRAWING	1/27/2006
B	change to pin 9 and 10 orientation, pin widths added	10/27/2008



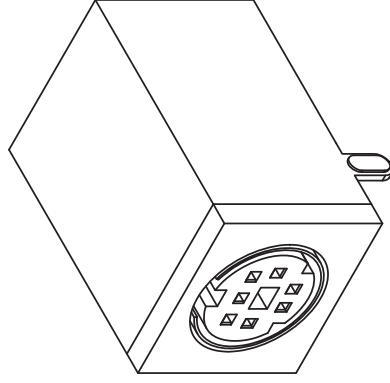
**SPECIFICATIONS:**  
 RATING: 12V DC @ 2A; 100V AC @ 1A  
 CONTACT RESISTANCE: 30m OHMS MAX  
 INSULATION RESISTANCE: 50M OHMS MIN; 250V DC  
 VOLTAGE WITHSTAND: 250V AC R.M.S. FOR 1 MINUTE  
 INSERTION FORCE: 4.5KG MAX  
 WITHDRAWAL FORCE: 0.8KG~3.0KG  
 OPERATING TEMP: -40° ~ +85°C

EARTH TERMINAL	MATERIAL	PLATING
TERMINAL 1-7	Brass	Tin
SPRING (9)	Phosphor Bronze	Silver
SHUNT (10)	Copper Titanium	Silver
SHIELD PLATE	Brass	Silver
HOUSING	Steel	Tin
	PBT	

MODEL NO.	MD-70SMW
SCHEMATIC	9 10

PC FILE NAME:  
MD-70SMW

COPYRIGHT 2008 BY CUI INC.



TOLERANCE:  
±0.2mm



20050 SW 112th Ave.  
 Tualatin, OR 97062  
 Phone: 503-612-2300  
 800-275-4899  
 Fax: 503-612-2383  
 Website: www.cui.com

TITLE:	MINIATURE CIRCULAR DIN CONNECTOR	REV:	B
PART NO:	MD-70SMW	UNITS:	MM [INCHES]
DRAWN BY:	ZRJ	APPROVED BY:	
		SCALE:	2:1