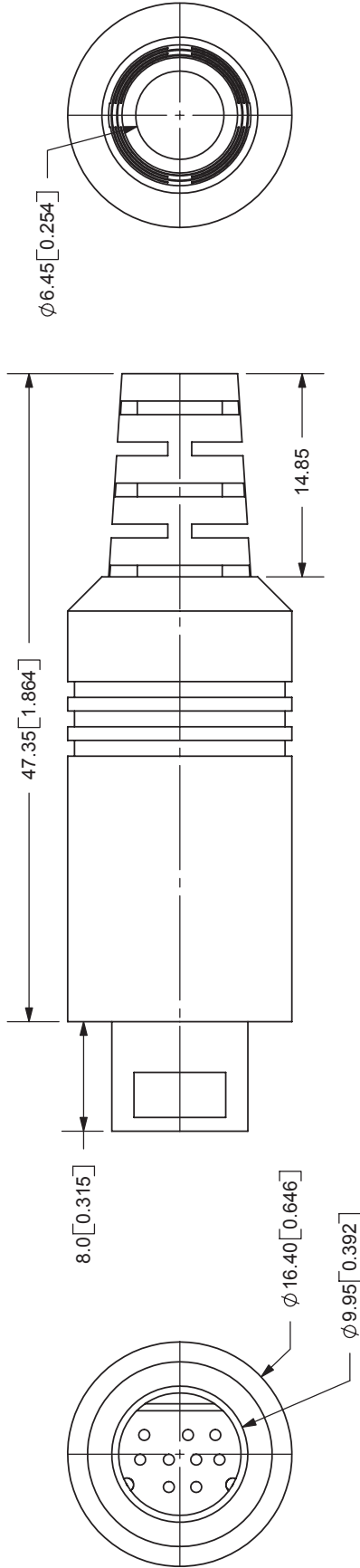


REV.	DESCRIPTION	DATE
A	NEW DRAWING	4/6/2006
B	Model update	9/25/2006



TOLERANCE:
X-X $\pm 0.5\text{mm}$ UNLESS OTHERWISE
SPECIFIED

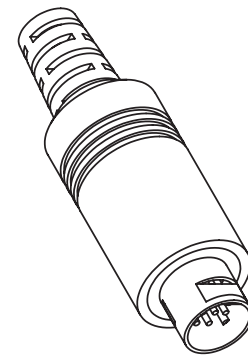


CUI INC

20050 SW 112th Ave.
Tualatin, OR 97062
Phone: 503-643-4899
800-275-4899
Fax: 503-372-1266
Website: www.cui.com

NOTES:
RECOMMENDED WIRE RANGE: 24AWG~28AWG
LEAD TERMINATION: USE CRIMP PINS, PN: CP-9999 (DIGI-KEY)
CRIMP TOOL: AMP UNIVERSAL CRIMP TOOL

SPECIFICATIONS:
RATING: 12V DC @ 2A; 100V AC @ 1A
CONTACT RESISTANCE: 30m OHMS MAX
INSULATION RESISTANCE: 50M OHMS MIN; 500V DC
VOLTAGE WITHSTAND: 500V AC R.M.S. FOR 1 MINUTE
LIFE: 5,000 CYCLES
OPERATING TEMP: $-5^{\circ} \sim +115^{\circ}\text{C}$



SCALE 1:1

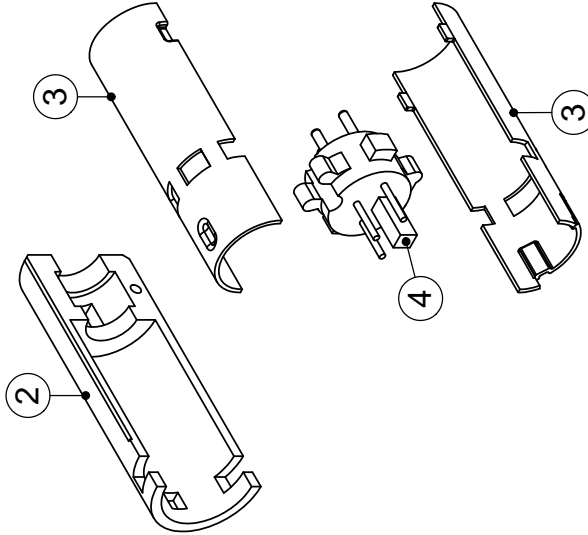
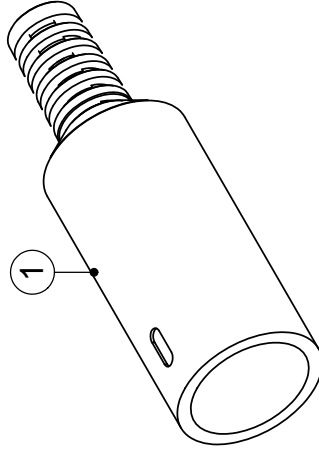
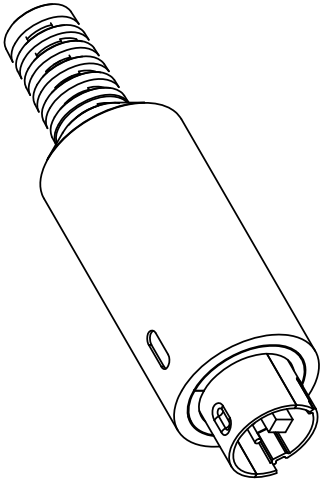
TITLE: MINI DIN IN-LINE PLUG	REV: B
PART NO: MD-90	UNITS: MM [INCHES]
DRAWN BY: ZRJ	APPROVED BY:
	SCALE: 2:1

SHIELD	MATERIAL	PLATING
CONTACT	Brass	Nickel
COVER	Brass	Silver
SHELL	EVA+LLDPE	
HOUSING	ABS	
	Nylon66+GF	

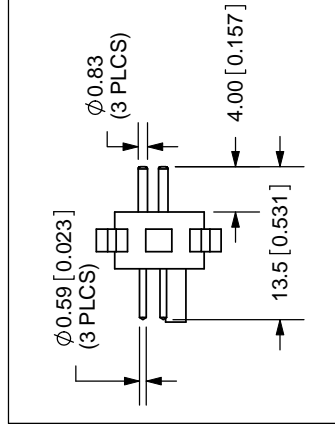
PC FILE NAME: MD-90


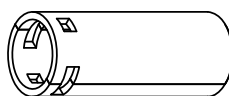

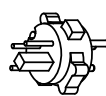
COPYRIGHT 2006 BY CUI INC.

REV.	DESCRIPTION	DATE
A	NEW DRAWING	7/8/2009



PIN DETAILS

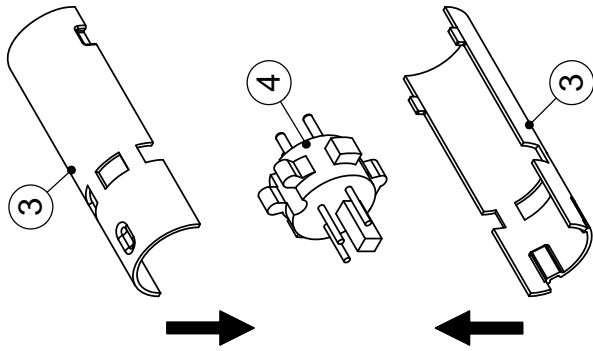


1	cover	
2	plastic shell	
3	metal shield	
4	housing	

TITLE:	MINI DIN IN-LINE PLUG ASSEMBLY	REV:	A
PART NO:	MD-assy	UNITS:	MM [INCHES]
DRAWN BY:	ZRJ	APPROVED BY:	
		SCALE:	3:2

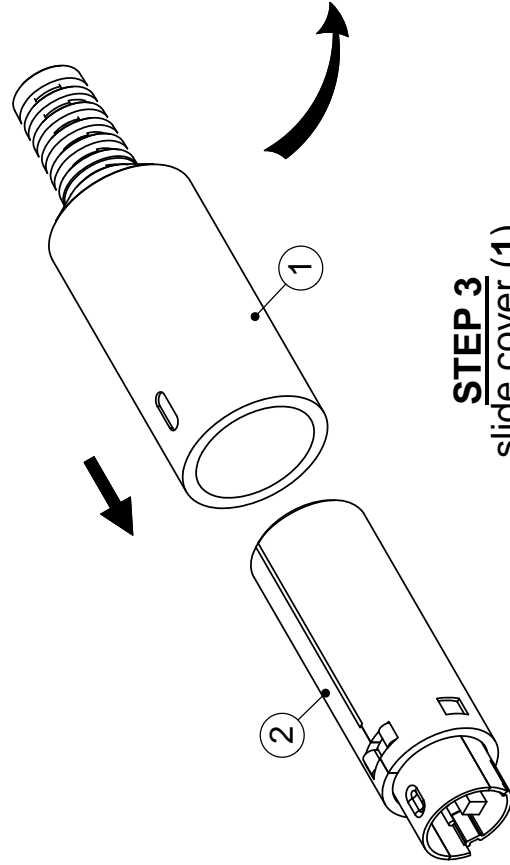
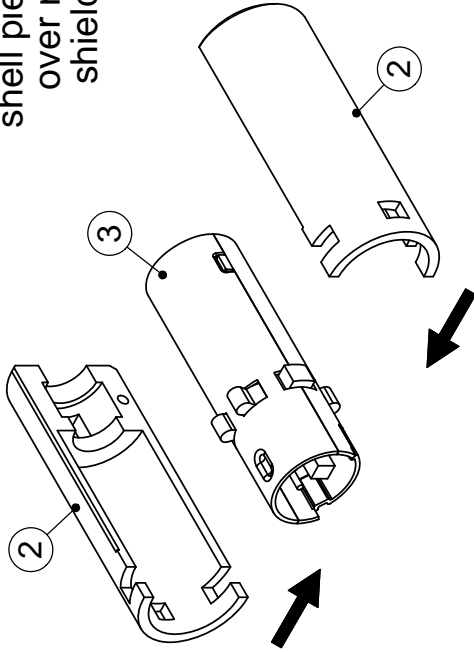
PC FILE NAME: MD-assy

COPYRIGHT 2009 BY CUJ INC.



STEP 1
solder wires to
housing (4),
assemble metal
shield pieces (3)
onto housing (4)

STEP 2
assemble plastic
shell pieces (2)
over metal
shield (3)



STEP 3
slide cover (1)
over plastic
shell (2)

TITLE: MINI DIN IN-LINE PLUG ASSEMBLY	REV:
PART NO: MD-assy	UNITS: MM [INCHES]
DRAWN BY: ZRJ	APPROVED BY:
	SCALE: 3:2

PC FILE NAME: MD-assy

COPYRIGHT 2009 BY CUJ INC.