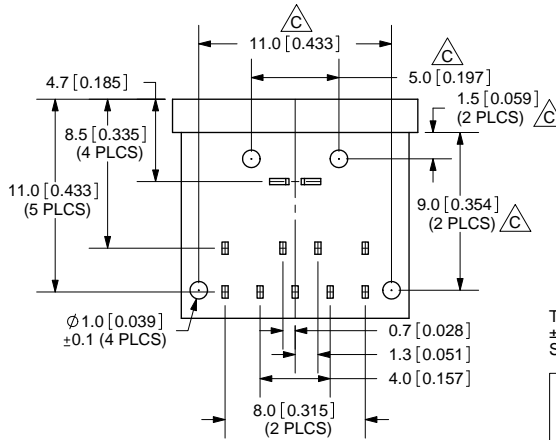
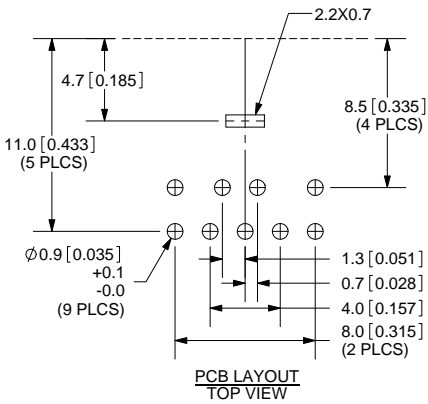
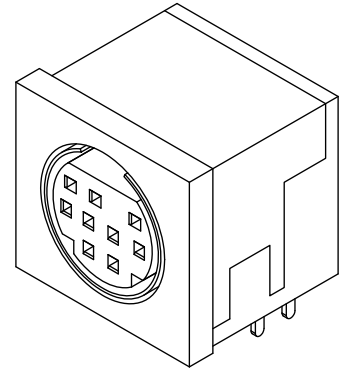
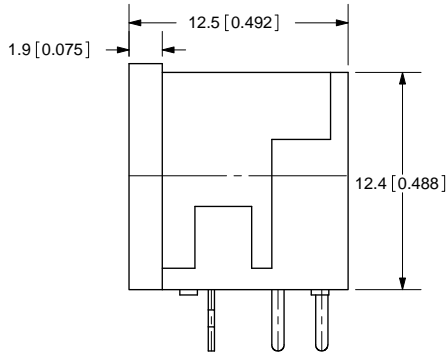
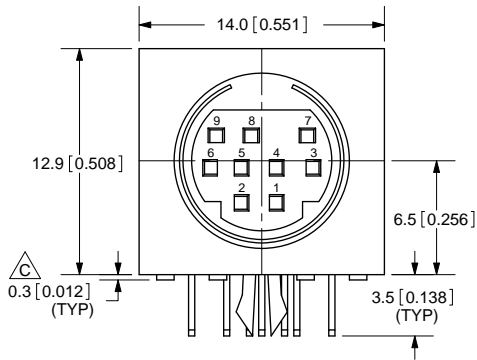


REV.	DESCRIPTION	DATE
A	NEW DRAWING	12/21/2005
B	dimension updates	5/10/2010
C	dimension update and additions	11/8/2010



TOLERANCE:
±0.2mm UNLESS OTHERWISE
SPECIFIED



SPECIFICATIONS:
 RATING: 12V DC @ 2A; 100V AC @ 1A
 INSULATION RESISTANCE: 50M OHMS MIN; 250V DC
 VOLTAGE WITHSTAND: 250V AC R.M.S. FOR 1 MINUTE
 CONTACT RESISTANCE: 30m OHMS MAX
 INSERTION FORCE: 5.0KG MAX
 WITHDRAWAL FORCE: 0.8KG-3.5KG
 LIFE: 5,000 CYCLES



20050 SW 112th Ave.
 Tualatin, OR 97062
 Phone: 503-612-2300
 800-275-4899
 Fax: 503-612-2383
 Website: www.cui.com

PC FILE NAME:
MD-90S

COPYRIGHT 2010 BY CUI INC.

	MATERIAL	PLATING
CONTACT TERMINALS (1-9)	Phosphor Bronze	Silver
EARTH TERMINAL	Brass	Tin
HOUSING	PBT	

TITLE: MINIATURE CIRCULAR DIN CONNECTOR		REV: C
PART NO. MD-90S	UNITS: MM [INCHES]	
DRAWN BY: ZRJ	APPROVED BY:	SCALE: 2:1