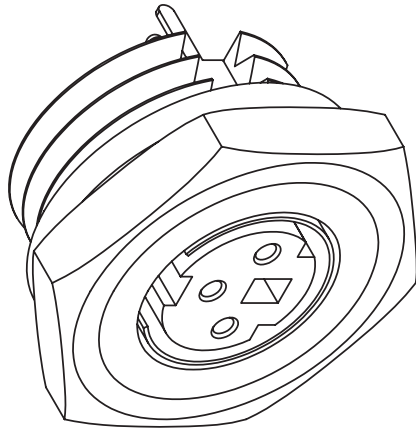
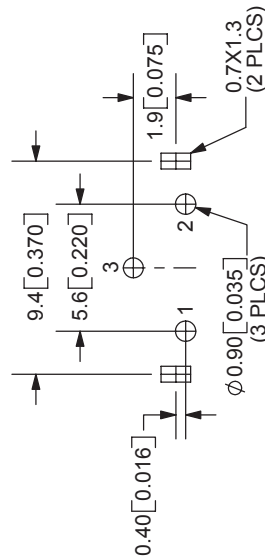
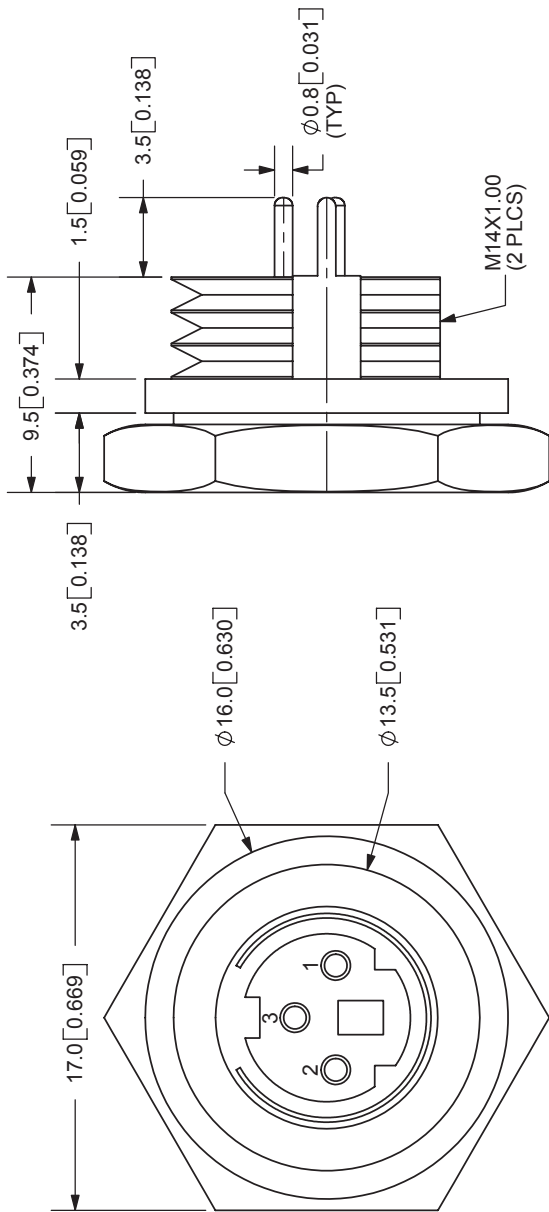


REV.	DESCRIPTION	DATE
A	NEW DRAWING	12/21/2005



TOLERANCE:
±0.2mm



CUI INC

20050 SW 112th Ave.
Tualatin, OR 97062
Phone: 503-643-4899
800-275-4899
Fax: 503-372-1266
Website: www.cui.com

SPECIFICATIONS:
RATING: 12V DC @ 2A; 100V AC @ 1A
INSULATION RESISTANCE: 50M OHMS MIN; 250V DC
VOLTAGE WITHSTAND: 250V AC R.M.S. FOR 1 MINUTE
CONTACT RESISTANCE: 30m OHMS MAX
INSERTION FORCE: 4.5KG MAX
WITHDRAWAL FORCE: 0.8KG~3KG
LIFE: 5,000 CYCLES
OPERATING TEMP: -40° ~ +85°C

TITLE:	MINI CIRCULAR CON.-VERTICAL MOUNT	REV:	A
PART NO:	MD-30CV	UNITS:	MM [INCHES]
DRAWN BY:	ZRJ	APPROVED BY:	
		SCALE:	3:1

TERMINALS (1-3)	MATERIAL	PLATING
EARTH TERMINAL	Phosphor Bronze	Silver
HOUSING	Brass	Tin
	PBT	

PC FILE NAME:
MD-30CV

COPYRIGHT 2006 BY CUI INC.