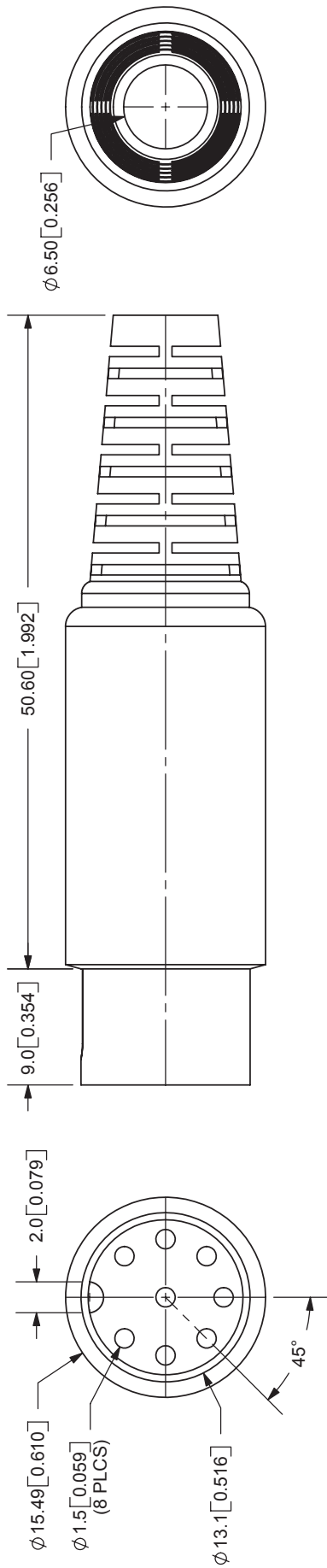


REV.	DESCRIPTION	DATE
A	NEW DRAWING	4/6/2006
B	Added DC rating	8/15/2006

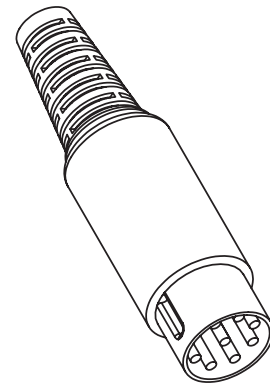


9615 SW Allen Blvd., Ste. 103
Beaverton, OR 97005
Phone: 503-643-4899
800-275-4899
Fax: 503-372-1266
Website: www.cui.com

TOLERANCE:
X.X ±0.1mm
X.XX ±0.05mm

NOTES:
RECOMMENDED WIRE RANGE: 24AWG~28AWG
LEAD TERMINATION: SOLDER CUPS

SPECIFICATIONS:
RATING: 12V DC @ 2A; 100V AC @ 1A
CONTACT RESISTANCE: PINS-30m OHMS MAX; SHELL-50m OHMS MAX
INSULATION RESISTANCE: 100M OHMS MIN; 500V DC
VOLTAGE WITHSTAND: 250V AC R.M.S. FOR 1 MINUTE
LIFE: 5,000 CYCLES
OPERATING TEMP: -5° to 110°C



SCALE 1:1

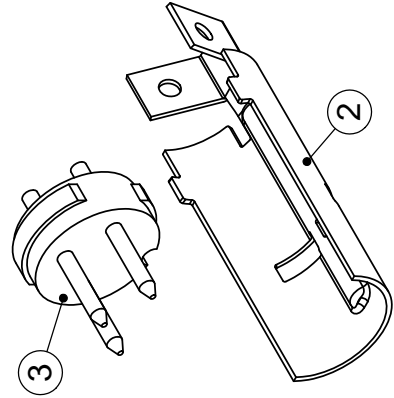
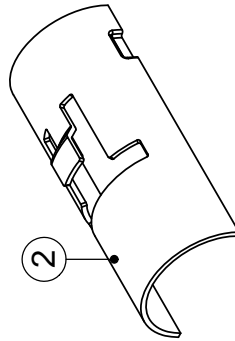
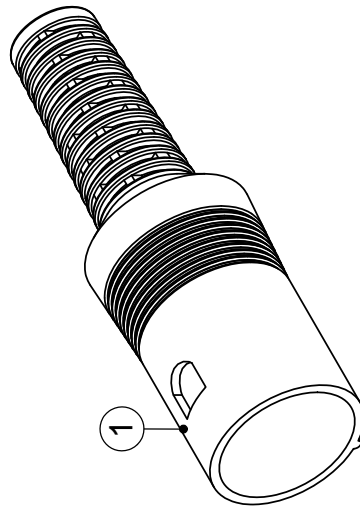
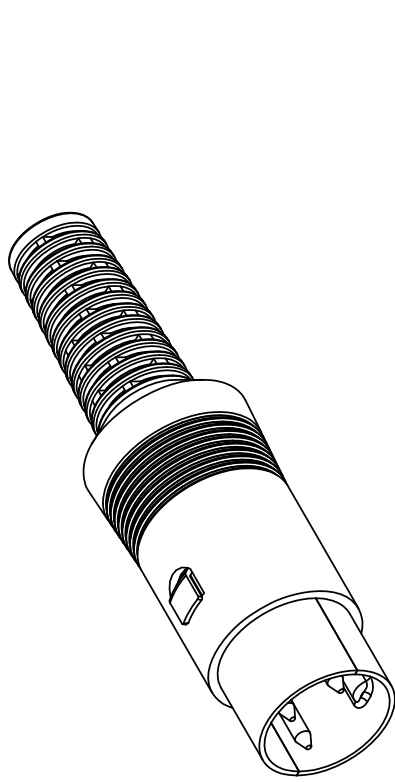
TITLE: IN-LINE PLUG	REV: B
PART NO: SD-80	UNITS: MM [INCHES]
DRAWN BY: ZRJ	APPROVED BY:
	SCALE: 2:1

	MATERIAL	PLATING
PINS	Brass	Nickel
SHELL	Steel	Nickel
INSULATOR	PBT	
BOOT	PVC	

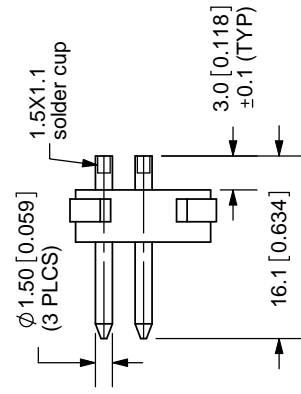
PC FILE NAME: SD-80

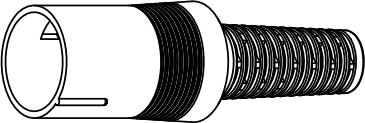
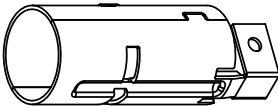
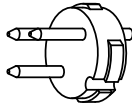
COPYRIGHT 2006 BY CUI INC.

REV.	DESCRIPTION	DATE
A	NEW DRAWING	7/8/2009



PIN DETAILS



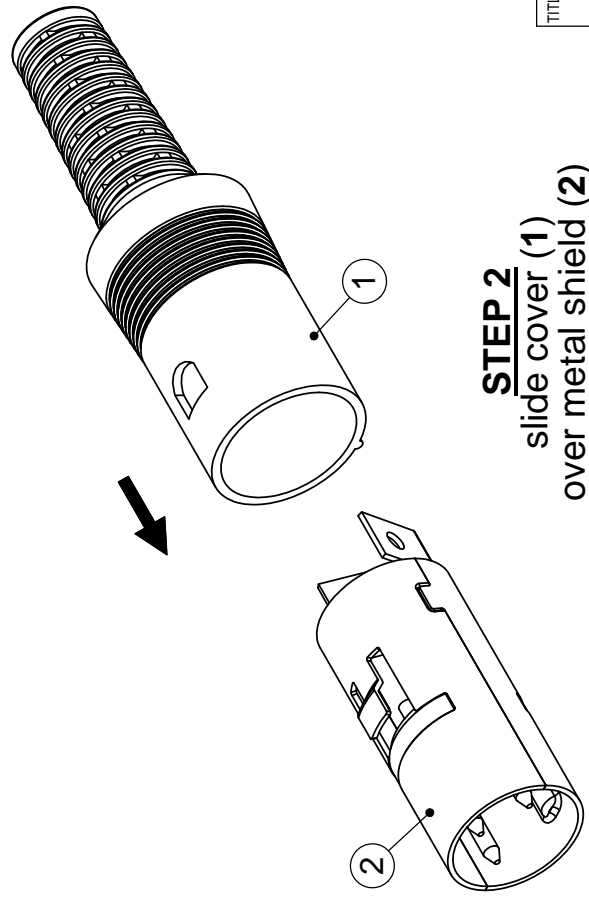
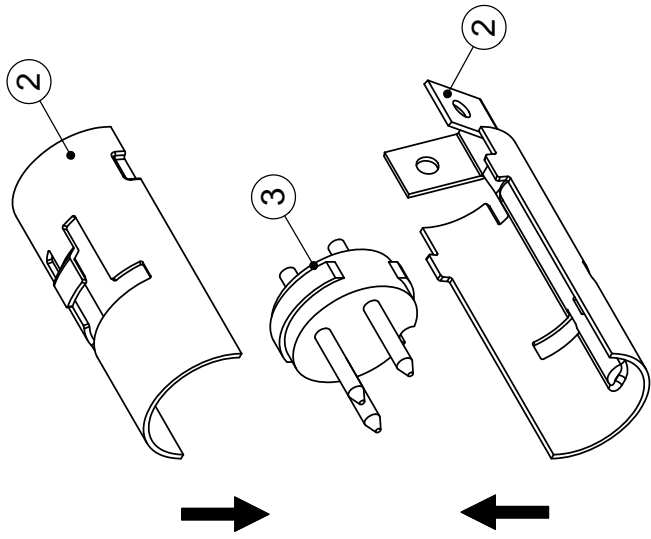
1		cover
2		metal shield
3		housing

TITLE:	STANDARD DIN IN-LINE PLUG ASSEMBLY	REV:	A
PART NO:	SD-assy	UNITS:	MM [INCHES]
DRAWN BY:	ZRJ	APPROVED BY:	
		SCALE:	3:2

PC FILE NAME: SD-assy

COPYRIGHT 2009 BY CUJ INC.

STEP 1
 solder wires to
 housing (3),
 assemble metal
 shield pieces (2)
 onto housing (3)



STEP 2
 slide cover (1)
 over metal shield (2)

TITLE:	STANDARD DIN IN-LINE PLUG ASSEMBLY	REV:	
PART NO:	SD-assy	UNITS:	MM [INCHES]
DRAWN BY:	ZRJ	APPROVED BY:	
		SCALE:	3:2

PC FILE NAME: SD-assy

COPYRIGHT 2009 BY CUJ INC.