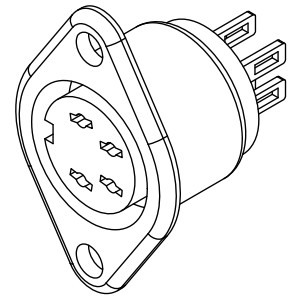
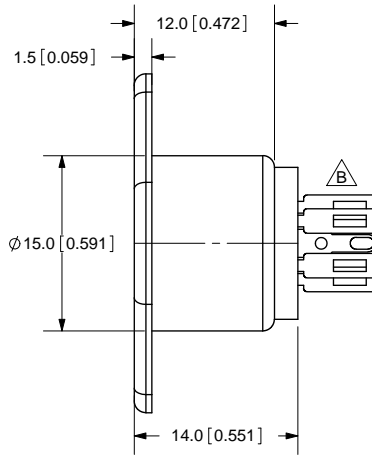
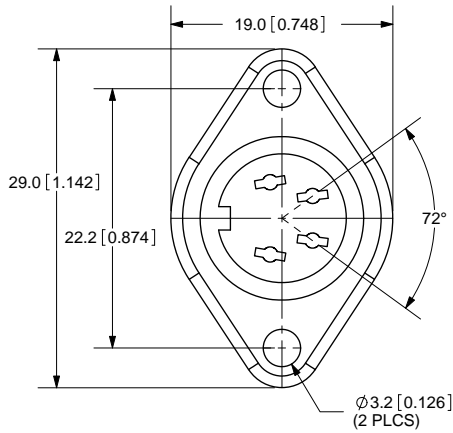


| REV. | DESCRIPTION    | DATE       |
|------|----------------|------------|
| A    | NEW DRAWING    | 4/12/2006  |
| B    | update to pins | 11/23/2010 |



TOLERANCE:  
X.X ±0.1mm  
X.XX ±0.05mm



**SPECIFICATIONS:**  
RATING: 100V AC @ 2A  
CONTACT RESISTANCE: 20m OHMS MAX  
INSULATION RESISTANCE: 300M OHMS MIN; 500V DC  
VOLTAGE WITHSTAND: 1000V AC R.M.S. FOR 1 MINUTE  
INSERTION FORCE: 4.0KG MAX  
WITHDRAWAL FORCE: 1.0KG~3.5KG  
WIRE AWG 22~26  
LIFE: 5,000 CYCLES



20050 SW 112th Ave.  
Tualatin, OR 97062  
Phone: 503-612-2300  
800-275-4899  
Fax: 503-612-2383  
Website: www.cui.com

|                | MATERIAL        | PLATING |
|----------------|-----------------|---------|
| SOCKET CASE    | Steel           | Nickel  |
| EARTH TERMINAL | Phosphor Bronze | Tin     |
| CONTACT PIN    | Brass           | Tin     |
| RIVET          | Aluminum        | Nickel  |
| INSULATOR      | PBT             |         |

|                               |                    |            |
|-------------------------------|--------------------|------------|
| TITLE: PANEL MOUNT DIN SOCKET |                    | REV: B     |
| PART NO. SD-40SN              | UNITS: MM [INCHES] |            |
| DRAWN BY: ZRJ                 | APPROVED BY:       | SCALE: 2:1 |

PC FILE NAME:  
SD-40SN

COPYRIGHT 2010 BY CUI INC.