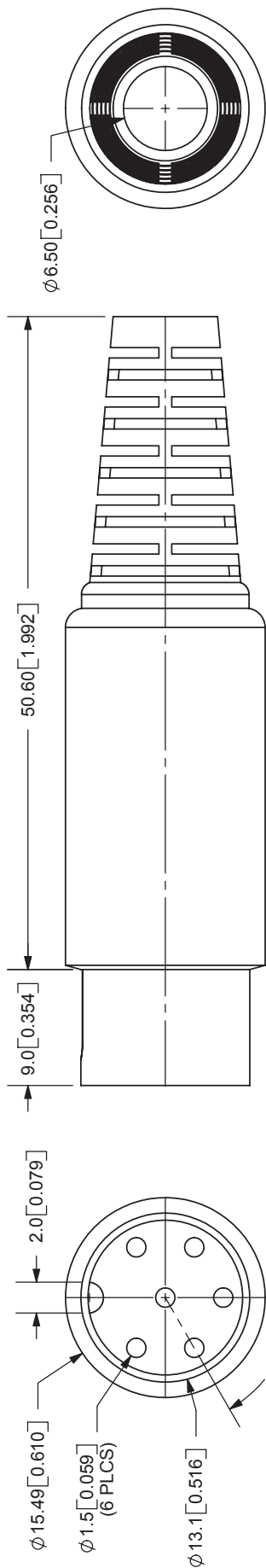


REV.	DESCRIPTION	DATE
A	NEW DRAWING	4/6/2006

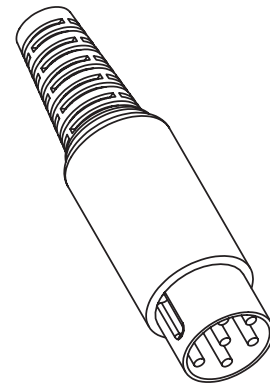


TOLERANCE:
X.X ±0.1mm
X.XX ±0.05mm

CUI INC
 9615 SW Allen Blvd., Ste. 103
 Beaverton, OR 97005
 Phone: 503-643-4899
 800-275-4899
 Fax: 503-372-1266
 Website: www.cui.com

NOTES:
 RECOMMENDED WIRE RANGE: 24AWG~28AWG
 LEAD TERMINATION: SOLDER CUPS

SPECIFICATIONS:
 RATING: 100V AC @ 1A
 CONTACT RESISTANCE: PINS-30m OHMS MAX; SHELL-50m OHMS MAX
 INSULATION RESISTANCE: 100M OHMS MIN; 500V DC
 VOLTAGE WITHSTAND: 250V AC R.M.S. FOR 1 MINUTE
 LIFE: 5,000 CYCLES
 OPERATING TEMP: -5° ~ +110°C



SCALE 1:1

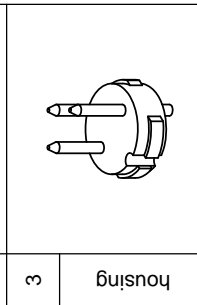
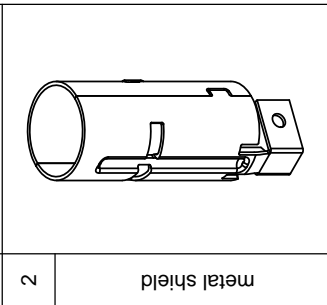
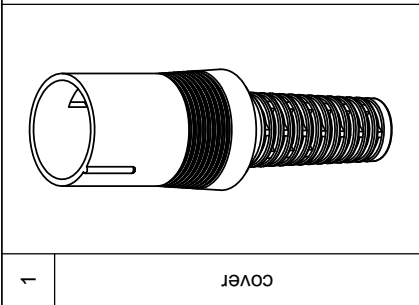
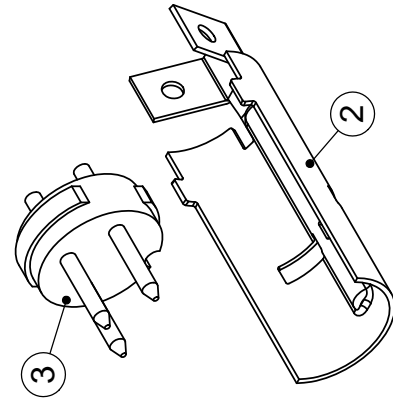
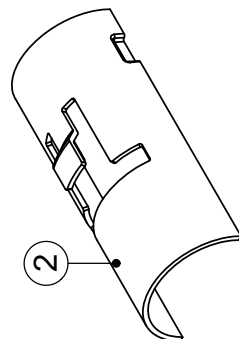
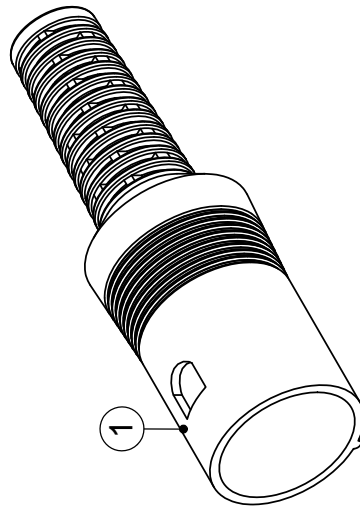
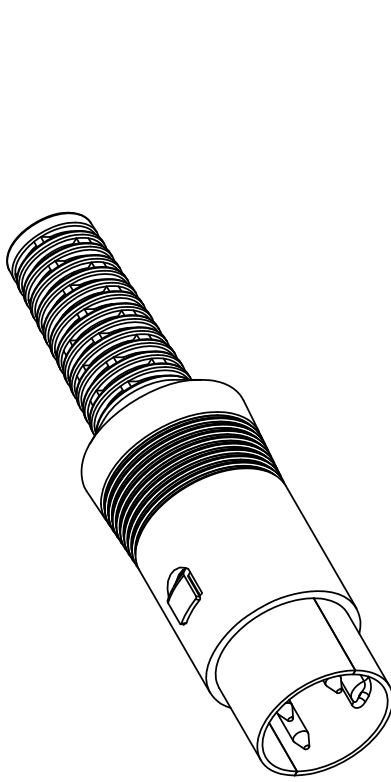
TITLE:	IN-LINE PLUG	REV:	A
PART NO:	SD-60	UNITS:	MM [INCHES]
DRAWN BY:	ZRJ	APPROVED BY:	
		SCALE:	2:1

	MATERIAL	PLATING
PINS	Brass	Nickel
SHELL	Steel	Nickel
INSULATOR	PBT	
BOOT	PVC	

PC FILE NAME: SD-60

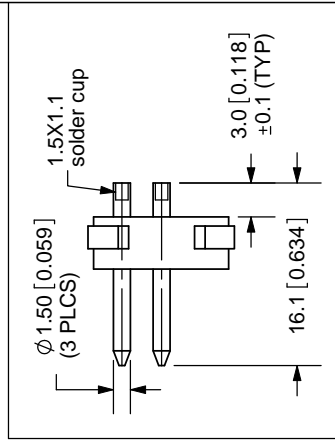
COPYRIGHT 2006 BY CUI INC.

REV.	DESCRIPTION	DATE
A	NEW DRAWING	7/8/2009



1	cover
2	metal shield
3	housing

PIN DETAILS

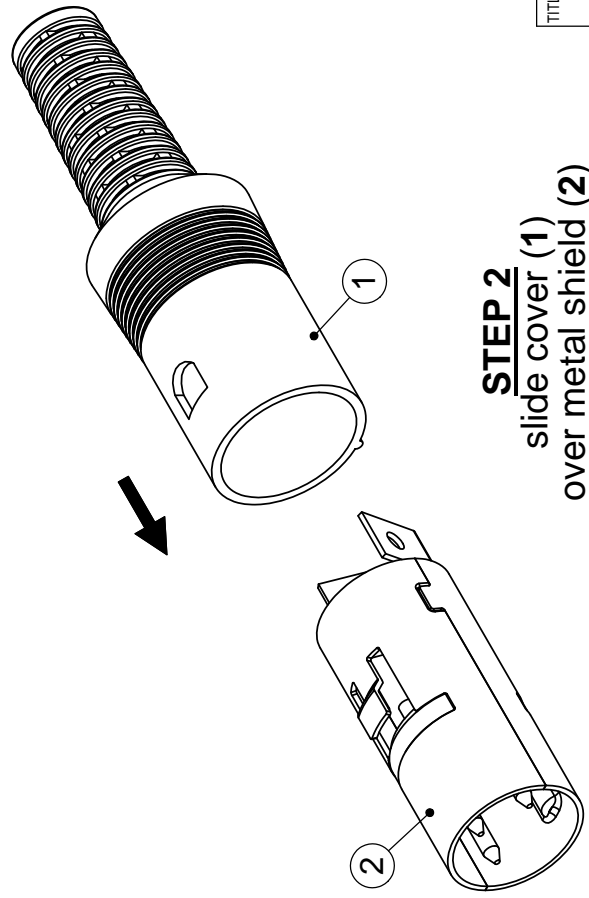
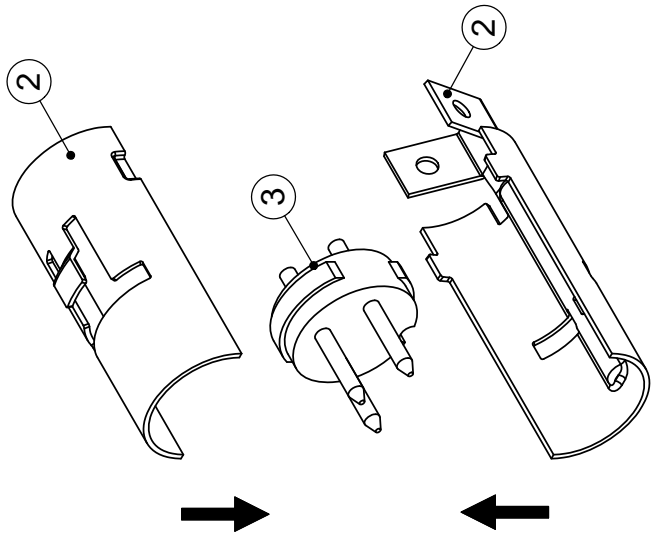


TITLE:	STANDARD DIN IN-LINE PLUG ASSEMBLY	REV:	A
PART NO:	SD-assy	UNITS:	MM [INCHES]
DRAWN BY:	ZRJ	APPROVED BY:	
		SCALE:	3:2

PC FILE NAME: SD-assy

COPYRIGHT 2009 BY CUJ INC.

STEP 1
 solder wires to
 housing (3),
 assemble metal
 shield pieces (2)
 onto housing (3)



STEP 2
 slide cover (1)
 over metal shield (2)

TITLE:	STANDARD DIN IN-LINE PLUG ASSEMBLY	REV:	
PART NO:	SD-assy	UNITS:	MM [INCHES]
DRAWN BY:	ZRJ	APPROVED BY:	
		SCALE:	3:2

PC FILE NAME: SD-assy

COPYRIGHT 2009 BY CUJ INC.