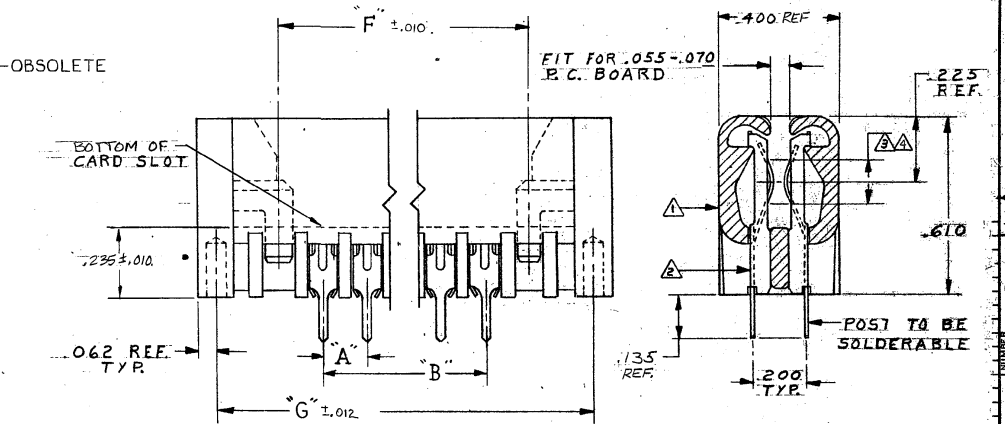


DRAWING MADE IN AMERICAN PROJECTION
 © 1971 BY AMP INCORPORATED. ALL RIGHTS RESERVED. AMP PRODUCTS COVERED BY PATENTS AND/OR PATENTS PENDING.

PART NO	NO. OF POS.	A	B	F	G
583692-1	30	.150	4.350	4.650	5.084
	31		.300	.600	1.034
	32		.450	.750	1.184
	33		.600	.900	1.334
	34		.750	1.050	1.484
	35		.900	1.200	1.634
	36		1.050	1.350	1.784
	37		1.200	1.500	1.934
	38		1.350	1.650	2.084
1-583692-0	11		1.500	1.800	2.234
	12		1.650	1.950	2.384
	13		1.800	2.100	2.534
	14		1.950	2.250	2.684
	15		2.100	2.400	2.834
	16		2.250	2.550	2.984
	17		2.400	2.700	3.134
	18		2.550	2.850	3.284
	19		2.700	3.000	3.434
	20		2.850	3.150	3.584
583692-0	21		3.000	3.300	3.734
	22		3.150	3.450	3.884
	23		3.300	3.600	4.034
	24		3.450	3.750	4.184
	25		3.600	3.900	4.334
	26		3.750	4.050	4.484
	27		3.900	4.200	4.634
	28		4.050	4.350	4.784
	29		4.200	4.500	4.934
	30		4.350	4.650	5.084
3-583692-0	31		4.500	4.800	5.234
	32		4.650	4.950	5.384
	33		4.800	5.100	5.534
	34		4.950	5.250	5.684
	35		5.100	5.400	5.834
	36		5.250	5.550	5.984
	37		5.400	5.700	6.134
	38		5.550	5.850	6.284
	39		5.700	6.000	6.434
	40		5.850	6.150	6.584
	41		6.000	6.300	6.734
4-583692-0	42		6.150	6.450	6.884
	43		6.300	6.600	7.034
	44		6.450	6.750	7.184
	45		6.600	6.900	7.334
	46		6.750	7.050	7.484
	47		6.900	7.200	7.634
	48		7.050	7.350	7.784
	49		7.200	7.500	7.934
4-583692-8	50	.150	7.350	7.650	8.084
5-583692-9	55	.150	8.100	8.400	8.834
5-583692-0		OBSOLETE			
5-583692-1	10	.150	1.350	1.650	2.084

ZONE	LTR	DESCRIPTION	DATE	APPROVED
B		REDRAWN & REVISED 3703 DR	1-30-73	
C		REVISED 3791 MS	4-26-73	
CI		ADDED 5--0 4384 M.S.	3-26-73	
D		REVISED MATL. 4657 M.S.	1-12-76	DR
E		OBSOLETE 5--2 6513 M.S.	2-80	
EI		ADD 5--1/ 85-14267	10/6/89	GSI RWL
F		REV PER AD1583	3/1/87	EP LEO
G		REV PER AD 1633	6/25/87	LEW
H		REV PER AD 1698	8/5/87	LEW
J		REV PER AD1868	3/1/88	LEW
K		REV PER AD 2944	1/88	LEW/HWR
L		REV PER AD 3150	2/89	LEW/HWR
M		REACTIVATE 2-3 AD4154	12/89	OP/HWR
N		REV PER AD 3403	3/90	CB
P		REACTIVATE -6 AD4799	6/90	CB/HWR
R		REV PER AD 614	3-28-90	18/DM
S		REV 2010-0252-98	2-8-93	183-T/M
T		OBSE PER CEN 0618-93	7-93	RAC 0
U		REV PER 0010-1536-93	7/21/94	SS/10
V		REV PER EC 0320-201-97	2-7-97	N6
W		ECR-05-004878	11/10/05	MM

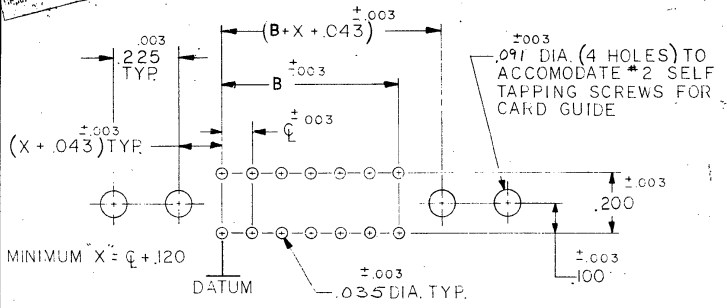


- ▲ . GLASS FILLED POLYESTER, COLOR BLACK
- ▲ . PHOSPHOR BRONZE
- ▲ . .000015 GOLD, SELECTIVE
- ▲ . .000050 GOLD, SELECTIVE

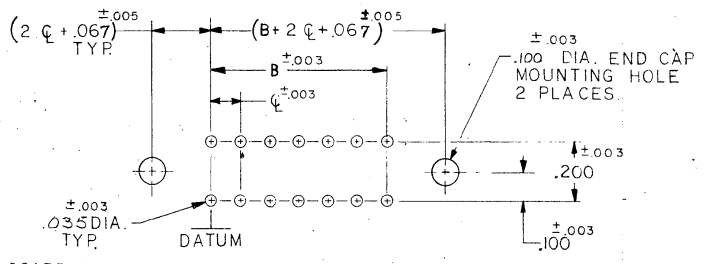
UNLESS OTHERWISE SPECIFIED, DIMENSIONS ARE IN INCHES TOLERANCES ON : DECIMALS * ANGLES *	CONTRACT NO.	AMP INCORPORATED HARRISBURG, PENNSYLVANIA	
	DR: <i>Russell</i> 1-30-73	NAME	HOUSING ASSEMBLY, TWIN LEAF, .150 Q. .010X.024, SOLDER TYPE POST END CAP VERSION
MATERIAL SEE CALLOUT	CHK: <i>M. Zwick</i> 2-5-73	APPD	
	APPD: <i>Jerry M. Brown</i> 2-5-73	REL: <i>E. Trump</i> 3/13/73	
	DSGN APPD	SIZE	CODE IDENT NO. NUMBER
	OTHER APPD	C	00779 583692
		SCALE	SHEET 1 OF 2 SHTS.

DRAWING MADE IN AMERICAN PROJECTION
 © 1970 BY AMP INCORPORATED. ALL RIGHTS RESERVED. AMP PRODUCTS COVERED BY PATENTS AND/OR PATENTS PENDING.

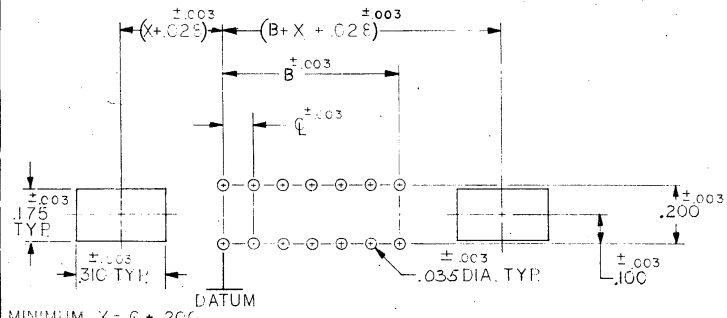
REVISIONS				
ZONE	LTR	DESCRIPTION	DATE	APPROVED
W		SEE SHEET 1		



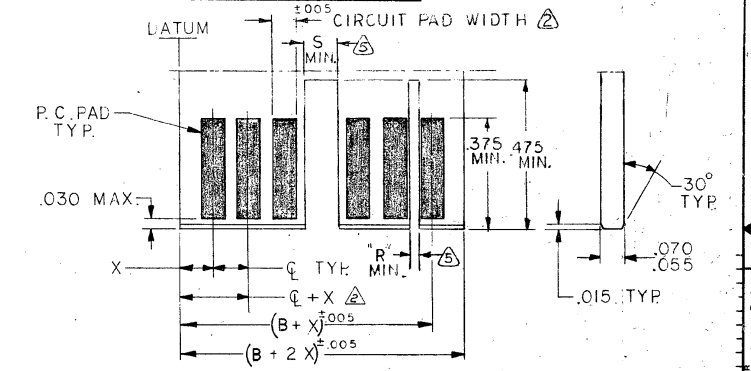
BOARD LAYOUT FOR USE WITH AMP CARD GUIDE PART NO. 583671



BOARD LAYOUT FOR USE WITH END CAP

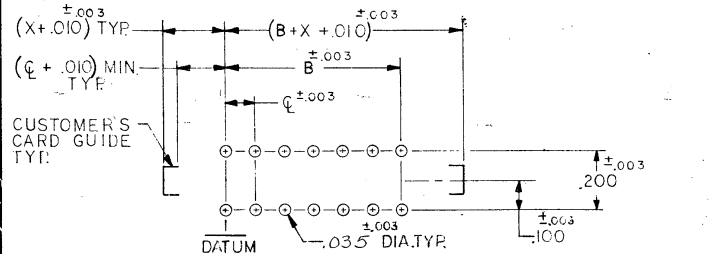


BOARD LAYOUT FOR USE WITH AMP CARD GUIDE PART NO. 583405 CR 583425



DAUGHTER BOARD LAYOUT

- MAX. ALLOWABLE WARPAGE OF MOTHER BOARD NOT TO EXCEED .005/IN.
- MAX. ALLOWABLE BOW OF DAUGHTER BOARD NOT TO EXCEED .010/IN.
- THICKNESS OF MOTHER BOARD IS .062 FOR DOUBLE SLOTTED CARD GUIDES AND .104 MAX FOR ALL OTHER MOUNTING CONDITIONS.
- EACH PAD LOCATION INCREASES BY $C \pm .005$ WITH A NON-CUMULATIVE TOLERANCE OF $\pm .005$.
- CIRCUIT PAD WIDTH - .045 FOR .100 C
 .072 FOR .125 C
 .072 FOR .150 C
 .080 FOR .156 C
- DIMENSIONS APPLY TO BOTH SIDES OF DAUGHTER BOARD.
- 3 C INCREMENTS ON MOTHER BOARD HAVE $\pm .003$ NON-CUMULATIVE TOLERANCE.
- X IS A CUSTOMER CONTROLLED DIMENSION EXCEPT FOR END CAP ASSEMBLIES WHERE $X = C - .008$



BOARD LAYOUT FOR USE WITH CUSTOMER SUPPLIED CARD GUIDE

THE SLOT FOR INTER-CONTACT KEYING PLUGS MUST BE CENTERED BETWEEN THE PRINTED CIRCUIT PADS, WHILE THE SLOT FOR ON-CONTACT KEYING PLUGS MUST BE CENTERED ON THE AREA OF A PRINTED CIRCUIT PAD.

INTER-CONTACT KEYING PLUG	R	FOR CENTER LINE SPACING	ON CONTACT KEYING PLUG	S	FOR CENTER LINE SPACING
530030-1	.050	.125-.150-.156	583714-1	.129	.100-.123
530030-2	.040	.100	583714-2	.160	.150-.156

UNLESS OTHERWISE SPECIFIED, DIMENSIONS ARE IN INCHES TOLERANCES ON: DECIMALS ± ANGLES ±	CONTRACT NO.	AMP INCORPORATED HARRISBURG, PENNSYLVANIA	
	DR	NAME	
	CHK	HOUSING ASSEMBLY TWIN LEAF CONNECTOR .150 CENTERS.	
	APPD	SIZE	
MATERIAL	DESIGN APPD	CODE	NUMBER
	OTHER APPD	C	00779 583692
		SCALE	SHEET 2 OF 2 SHFS.