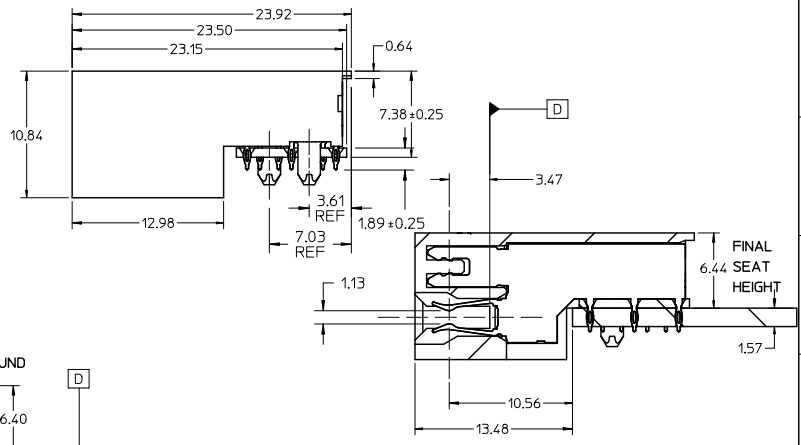
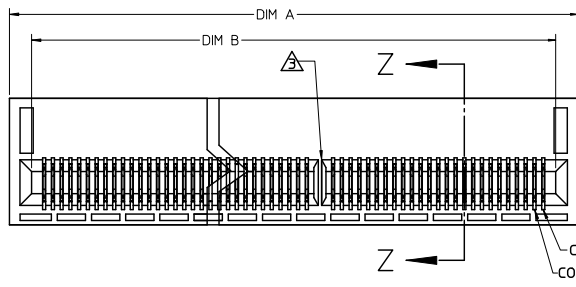
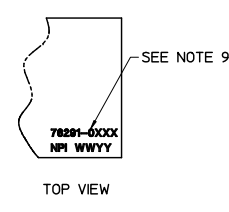
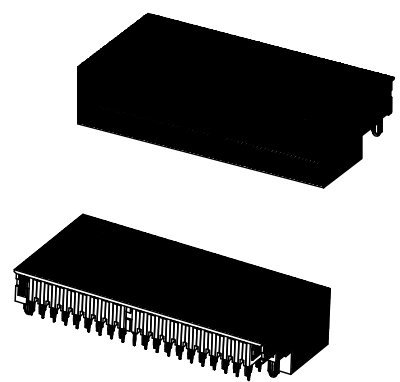
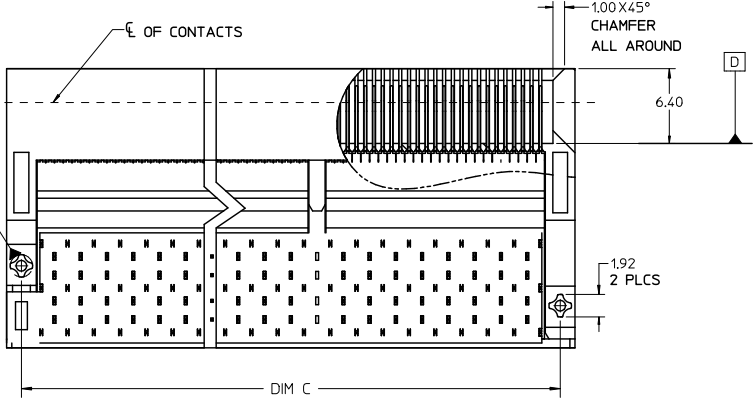


13 12 11 10 9 8 7 6 5 4 3 2 1



SECTION Z-Z

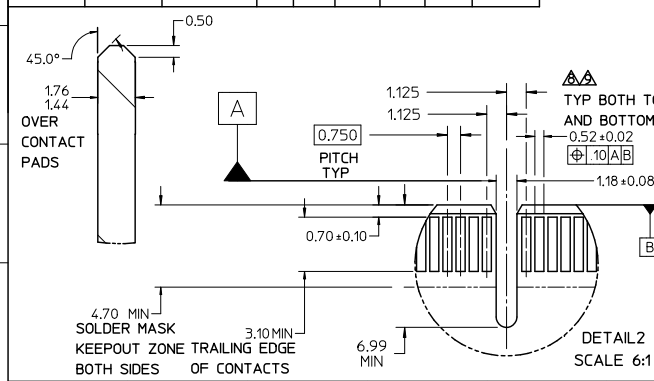
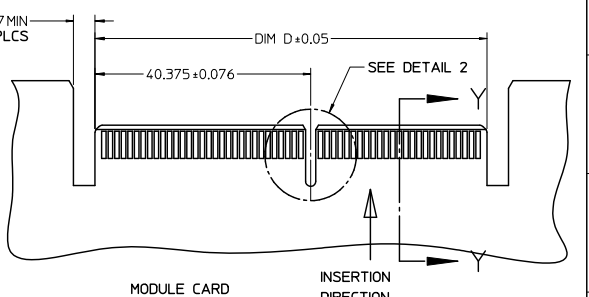
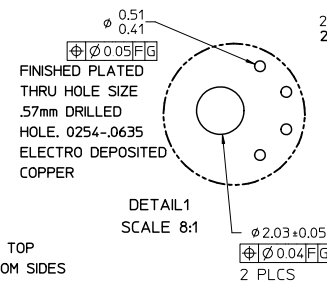
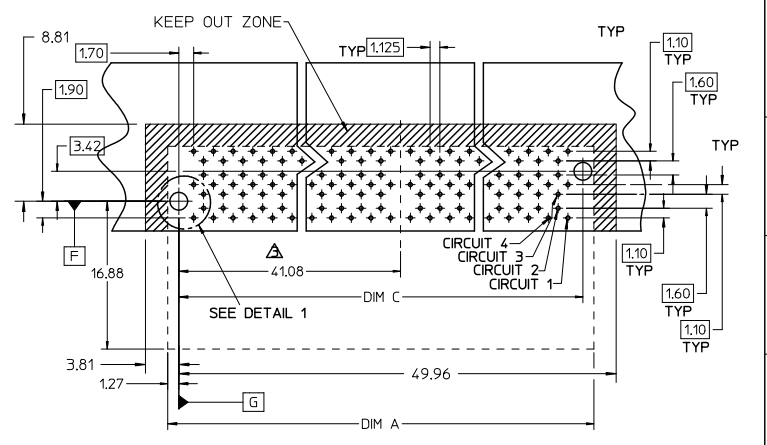
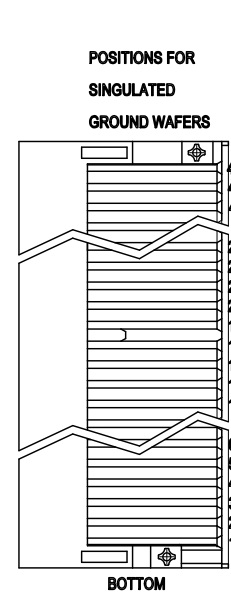


- NOTES:
- MATERIAL -
CONNECTOR HOUSING - GLASS FILLED LCP, 94V-0, BLACK
OVERMOLDING ON TERMINALS: GLASS FILLED LCP, 94V-0, BLACK
TERMINALS: COPPER ALLOY, SPRING TEMPER
 - TERMINAL FINISH:
CONTACT AREA: .754m HARD GOLD OVER 3.84m MIN NICKEL.
COMPLIANT AREA: .75-1504m TIN OVER .754m - 1504m NICKEL.
 - FOR CIRCUIT SIZES GREATER THAN 170, A CENTER ALIGNMENT KEY WILL BE USED.
 - REFER TO PS-76291-001 PRODUCT SPEC FOR ALL ELECTRICAL, MECHANICAL, AND ENVIRONMENTAL SPECIFICATIONS.
 - REFER TO PK-76291-001 FOR ALL PACKAGING SPECIFICATIONS.
 - REFER TO AS-76291-001 FOR BOARD APPLICATION INFORMATION.
 - MODULE BOARD CONTACT PAD PLATING TO BE .764m MIN HARD GOLD OVER 2.544m MIN NICKEL
 - MODULE BOARD CONTACT PAD SURFACE ROUGHNESS NOT TO EXCEED Ra 0.24m.
 - PART TO BE LASER MARKED WITH PART NUMBER, WHERE XXX IS THE CIRCUIT SIZE OR POWER WAFER OPTION, MANUFACTURING FACILITY, AND DATE CODE IN THE FORMATE OF THE WEEK AND LAST 2 DIGITS OF THE YEAR: WYYY

ADDED KEEP OUT ZONE EC NO: UCP201-1338 DRAWN BY: 2010/09/30 CHKD: 2010/11/17 APPR: MBANK1S REV	QUALITY SYMBOLS	GENERAL TOLERANCES (UNLESS SPECIFIED)	DIMENSION STYLE	SCALE	DESIGN UNITS	THIRD ANGLE PROJECTION																		
	$\nabla=0$ $\nabla=0$	<table border="1"> <tr> <th></th> <th>mm</th> <th>INCH</th> </tr> <tr> <td>4 PLACES</td> <td>±.05</td> <td>±.001</td> </tr> <tr> <td>3 PLACES</td> <td>±.076</td> <td>±.003</td> </tr> <tr> <td>2 PLACES</td> <td>±0.20</td> <td>±.010</td> </tr> <tr> <td>1 PLACE</td> <td>±0.25</td> <td>±.010</td> </tr> <tr> <td>ANGULAR</td> <td colspan="2">±1/2°</td> </tr> </table>		mm	INCH	4 PLACES	±.05	±.001	3 PLACES	±.076	±.003	2 PLACES	±0.20	±.010	1 PLACE	±0.25	±.010	ANGULAR	±1/2°		MM ONLY	4:1	METRIC	
		mm	INCH																					
	4 PLACES	±.05	±.001																					
3 PLACES	±.076	±.003																						
2 PLACES	±0.20	±.010																						
1 PLACE	±0.25	±.010																						
ANGULAR	±1/2°																							
			DRAWN BY	DATE	TITLE																			
			CHECKED BY	DATE	COPLANAR CONNECTOR GENERAL SALES DRAWING																			
			APPROVED BY	DATE	MOLEX INCORPORATED																			
			MATERIAL NO.	DOCUMENT NO.	SD-76291-001	SHEET NO. 1 OF 4																		
			DRAFT WHERE APPLICABLE MUST REMAIN WITHIN DIMENSIONS																					
			SIZE	THIS DRAWING CONTAINS INFORMATION THAT IS PROPRIETARY TO MOLEX INCORPORATED AND SHOULD NOT BE USED WITHOUT WRITTEN PERMISSION																				

12 11 10 9 8 7 6 5 4 3 2 1

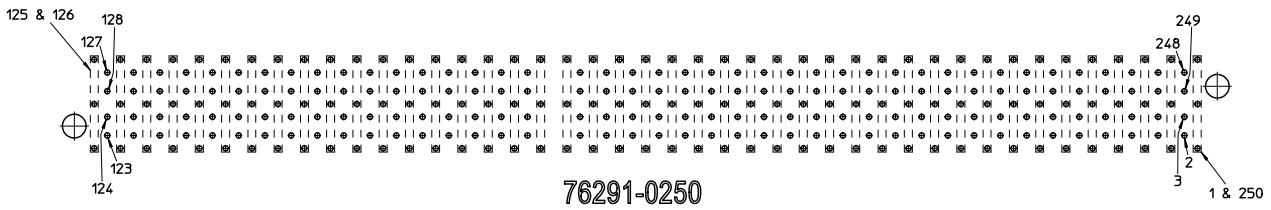
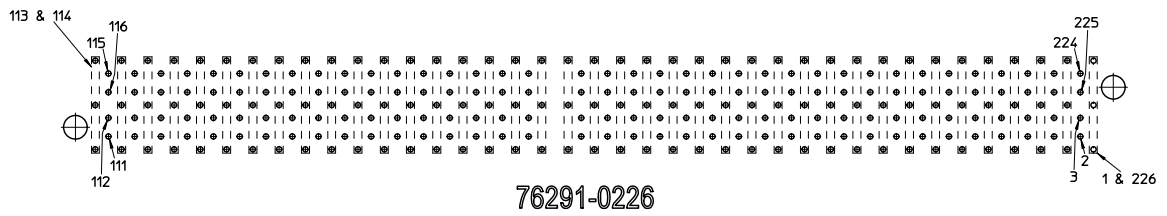
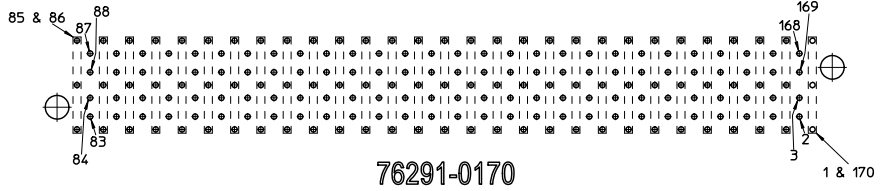
PART NUMBER		STATUS	CKTS	DIM A	DIM B	DIM C	DIM D	PW POS
TIN	TIN/LEAD							
762910008	762910008	NOT TOOLED	8	8.19	4.40	5.65	4.25	-
762910014	762910014	NOT TOOLED	14	10.44	6.65	7.90	6.50	-
762910020	762910020	NOT TOOLED	20	12.69	8.90	10.15	8.75	-
762910026	762910026	NOT TOOLED	26	14.94	11.15	12.40	11.00	-
762910032	762910032	NOT TOOLED	32	17.19	13.40	14.65	13.25	-
762910038	762910038	NOT TOOLED	38	19.44	15.60	16.90	15.50	-
762910044	762910044	NOT TOOLED	44	21.69	17.90	19.15	17.75	-
762910050	762910050	NOT TOOLED	50	23.94	20.15	21.40	20.00	-
762910056	762910056	NOT TOOLED	56	26.19	22.40	23.65	22.25	-
762910062	762910062	NOT TOOLED	62	28.44	24.65	25.90	24.50	-
762910068	762910068	NOT TOOLED	68	30.69	26.90	28.15	26.75	-
762910074	762910074	NOT TOOLED	74	32.94	29.15	30.40	29.00	-
762910080	762910080	NOT TOOLED	80	35.19	31.40	32.65	31.25	-
762910086	762910086	NOT TOOLED	86	37.44	33.65	34.90	33.50	-
762910092	762910092	NOT TOOLED	92	39.69	35.90	37.15	35.75	-
762910098	762910098	NOT TOOLED	98	41.94	38.15	39.40	38.00	-
762910104	762910104	NOT TOOLED	104	44.19	40.40	41.65	40.25	-
762910110	762910110	NOT TOOLED	110	46.44	42.65	43.90	42.50	-
762910116	762910116	NOT TOOLED	116	48.69	44.90	46.15	44.75	-
762910122	762910122	NOT TOOLED	122	50.94	47.15	48.40	47.00	-
762910128	762910128	NOT TOOLED	128	53.19	49.40	50.65	49.25	-
762910134	762910134	NOT TOOLED	134	55.44	51.65	52.90	51.50	-
762910140	762910140	NOT TOOLED	140	57.69	53.90	55.15	53.75	-
762910146	762910146	NOT TOOLED	146	59.94	56.15	57.40	56.00	-
762910152	762910152	NOT TOOLED	152	62.19	58.40	59.65	58.25	-
762910158	762910158	NOT TOOLED	158	64.44	60.65	61.90	60.50	-
762910164	762910164	NOT TOOLED	164	66.69	62.90	64.15	62.75	-
762910170	762910170	NOT TOOLED	170	68.94	65.15	66.40	65.00	-
762910176	762910176	NOT TOOLED	176	71.19	67.40	68.65	67.25	-
762910182	762910182	NOT TOOLED	182	73.44	69.65	70.90	69.50	-
762910188	762910188	NOT TOOLED	188	75.69	71.90	73.15	71.75	-
762910194	762910194	NOT TOOLED	194	77.94	74.15	75.40	74.00	-
762910200	762910200	NOT TOOLED	200	80.19	76.40	77.65	76.25	-
762910206	762910206	NOT TOOLED	206	82.44	78.65	79.90	78.50	-
762910212	762910212	NOT TOOLED	212	84.69	80.90	82.15	80.75	-
762910218	762910218	NOT TOOLED	218	86.94	83.15	84.40	83.00	-
762910224	762910224	NOT TOOLED	224	89.19	85.40	86.65	85.25	-
762910230	762910230	NOT TOOLED	230	91.44	87.65	88.90	87.50	-
762910236	762910236	NOT TOOLED	236	93.69	89.90	91.15	89.75	-
762910242	762910242	NOT TOOLED	242	95.94	92.15	93.40	92.00	-
762910248	762910248	NOT TOOLED	248	98.19	94.40	95.65	94.25	-
762910254	762910254	NOT TOOLED	254	100.44	96.65	97.90	96.50	-



QUALITY SYMBOLS	GENERAL TOLERANCES (UNLESS SPECIFIED)		DIMENSION STYLE		SCALE	DESIGN UNITS	THIRD ANGLE PROJECTION
	mm	INCH	MM ONLY	DATE			
$\nabla=0$	4 PLACES	±---	±---		4:1	METRIC	
$\nabla=0$	3 PLACES	±---	±.076				
	2 PLACES	±0.13	±.010				
	1 PLACE	±0.25	±---				
	ANGULAR ±1/2°						

SEE PAGE 1 EC NO. UCP2011-1338 DRAWN BY: N CHKD: N APPR: MBANKI S DATE: 2010/09/30 DATE: 2010/11/17	DESCRIPTION COPLANAR CONNECTOR GENERAL SALES DRAWING	DRAWN BY: MBANKI S CHECKED BY: MBANKI S APPROVED BY: MBANKI S DATE: 2010/11/17	TITLE: COPLANAR CONNECTOR GENERAL SALES DRAWING MOLEX INCORPORATED SD-76291-001	SHEET NO. 2 OF 4
---	--	---	--	------------------

13 12 11 10 9 8 7 6 5 4 3 2 1



SEE PAGE 1 EC NO: UCP2011-1338 DRAWN BY: N CHKD: Z APPR: MBANK1S DATE: 2010/09/30 DATE: 2010/11/17	QUALITY SYMBOLS	GENERAL TOLERANCES (UNLESS SPECIFIED)	DIMENSION STYLE	SCALE	DESIGN UNITS	THIRD ANGLE PROJECTION
	▽=0 ▽=0	mm INCH 4 PLACES ±--- ±--- 3 PLACES ±--- ±.076 2 PLACES ±0.13 ±.010 1 PLACE ±0.25 ±--- ANGULAR ±1/2°	MM ONLY	4:1	METRIC	DRAWN BY: DATE CHECKED BY: DATE APPROVED BY: DATE MATERIAL NO.: MBANK1S 2010/11/17 DOCUMENT NO.: SD-76291-001
		DRAFT WHERE APPLICABLE MUST REMAIN WITHIN DIMENSIONS	SEE CHART PG2	COPLANAR CONNECTOR GENERAL SALES DRAWING Molex MOLEX INCORPORATED		
				THIS DRAWING CONTAINS INFORMATION THAT IS PROPRIETARY TO MOLEX INCORPORATED AND SHOULD NOT BE USED WITHOUT WRITTEN PERMISSION		

12 11 10 9 8 7 6 5 4 3 2 1