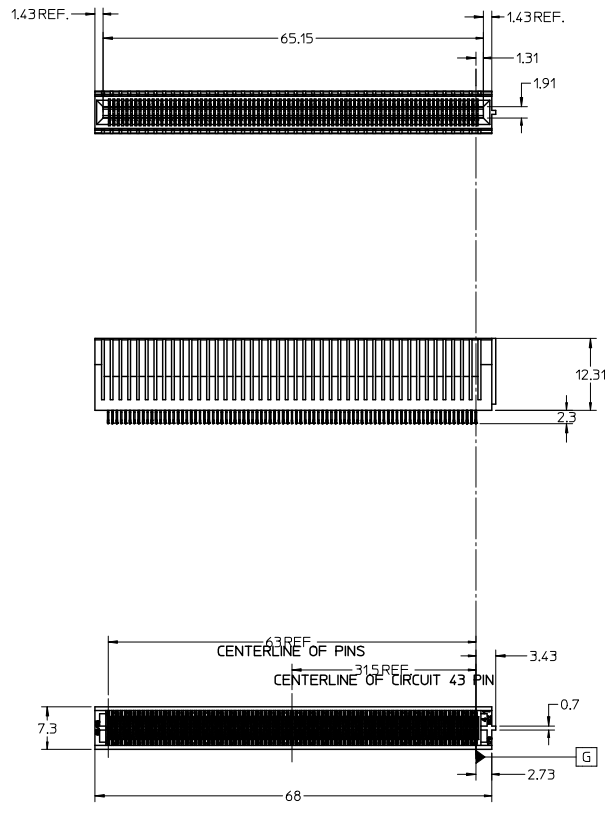
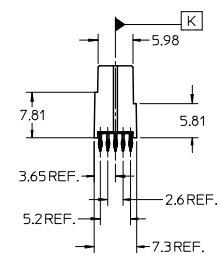


13 12 11 10 9 8 7 6 5 4 3 2 1



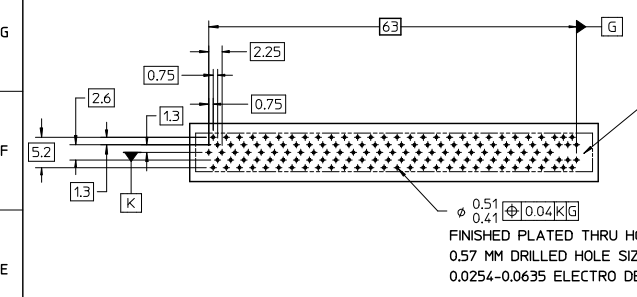
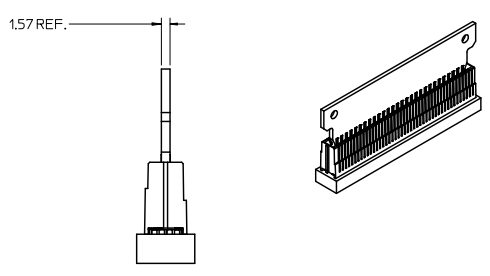
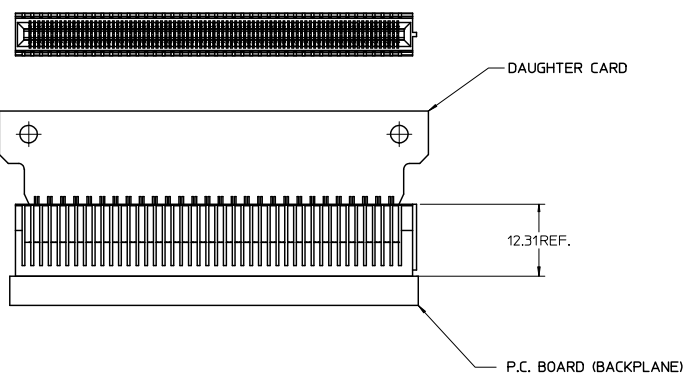
- NOTES:
- MATERIAL:
HOUSING - GLASS FILLED THERMOPLASTIC, 94-VO, BLACK
TERMINALS - BRASS
 - FINISH:
CONTACT AREA: HARD GOLD -0.76 μ m MIN OVER 3.80 μ NICKEL
COMPLIANT AREA: TIN - 0.76/1.52 μ m OVERALL NICKEL
 - REFER TO PS-75594-999 PRODUCT SPECIFICATION FOR ALL ELECTRICAL, MECHANICAL AND ENVIRONMENTAL SPECIFICATIONS.
 - REFER TO PK-75594-999 FOR ALL PACKAGING SPECIFICATIONS.
 - PROCESSING: PRESSFIT TO PC BOARD.
 - IN ORDER TO PROVIDE OPTIMAL ELECTRICAL PERFORMANCE, THE MATING BOARD MUST MEET REQUIREMENTS OF AMC.0 R2 SPECIFICATION.
 - MATING PC BOARD THICKNESS = 1.60 \pm 0.16MM OVER CONTACT PADS.



ADDED PAGE 3 EC NO: UCP2009-2429 DRAWN BY: DROSCA CHKD: JCOMERCI APPR: JCOMERCI DATE: 2009/05/20 DATE: 2009/05/20	QUALITY SYMBOLS ▽=0 ▽=0	GENERAL TOLERANCES (UNLESS SPECIFIED)		DIMENSION STYLE		SCALE	DESIGN UNITS	THIRD ANGLE PROJECTION	
				MM ONLY		2:1	METRIC		
		4 PLACES ±0.15		DRAWN BY: DROSCA		DATE: 04/28/2008		TITLE: SALES ASSEMBLY	
		3 PLACES ±0.10		CHECKED BY: JCOMERCI		DATE: 04/28/2008		EDGE CARD, 75 MM PITCH	
2 PLACES ±0.13		APPROVED BY: JCOMERCI		DATE: 04/28/2008		170 CIRCUIT			
1 PLACE ±0.25		ANGULAR ±1/2°		MATERIAL NO. 755940000		DOCUMENT NO. SD-75594-001		SHEET NO. 1 OF 3	
DRAFT WHERE APPLICABLE MUST REMAIN WITHIN DIMENSIONS		SIZE C		THIS DRAWING CONTAINS INFORMATION THAT IS PROPRIETARY TO MOLEX INCORPORATED AND SHOULD NOT BE USED WITHOUT WRITTEN PERMISSION					

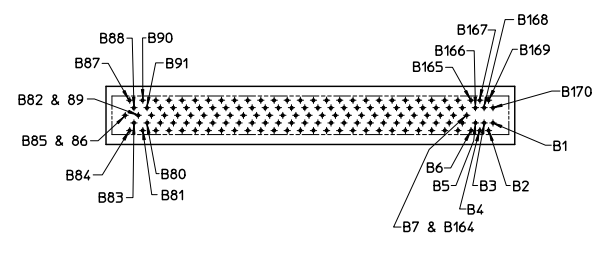
12 11 10 9 8 7 6 5 4 3 2 1

13 12 11 10 9 8 7 6 5 4 3 2 1

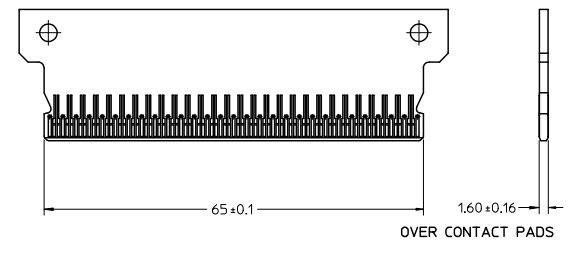


Note:
The holes located down the center are omitted within the last twelve circuit positions.
The center to center array remains constant.

ϕ 0.51
0.41 ϕ 0.04 K G
FINISHED PLATED THRU HOLE SIZE
0.57 MM DRILLED HOLE SIZE
0.0254-0.0635 ELECTRO DEPOSITED COPPER



MOTHER BOARD HOLE LAYOUT



DAUGHTER CARD
SEE SPECIFICATION AMC.0 R2

SEE SHEET 1 EIC NO. LFE2009-2429 DRW: DROSCA 2009/05/18 CHK: JCOMERC 2009/05/20 APPR: JCOMERC 2009/05/20 REV: D1	QUALITY SYMBOLS	GENERAL TOLERANCES (UNLESS SPECIFIED)	DIMENSION STYLE	SCALE	DESIGN UNITS	THIRD ANGLE PROJECTION	
	$\nabla=0$ $\nabla=0$	4 PLACES ± --- ± --- 3 PLACES ± --- ± --- 2 PLACES ± 0.13 ± --- 1 PLACE ± 0.25 ± --- ANGULAR ± 1/2°	MM ONLY	1:1	METRIC	DRAWN BY: DROSCA DATE: 04/28/2008 CHECKED BY: JCOMERC DATE: 04/28/2008 APPROVED BY: JCOMERC DATE: 04/28/2008	
		DRAFT WHERE APPLICABLE MUST REMAIN WITHIN DIMENSIONS	SEE SHEET 1	MATERIAL NO. JCOMERC I		DOCUMENT NO. SD-75594-001	SHEET NO. 2 OF 3
				TITLE: SALES ASSEMBLY EDGE CARD, 75 MM PITCH 170 CIRCUIT MOLEX INCORPORATED THIS DRAWING CONTAINS INFORMATION THAT IS PROPRIETARY TO MOLEX INCORPORATED AND SHOULD NOT BE USED WITHOUT WRITTEN PERMISSION			

12 11 10 9 8 7 6 5 4 3 2 1

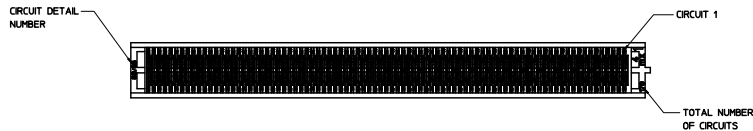
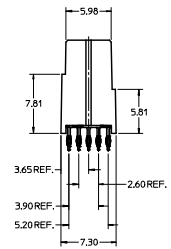
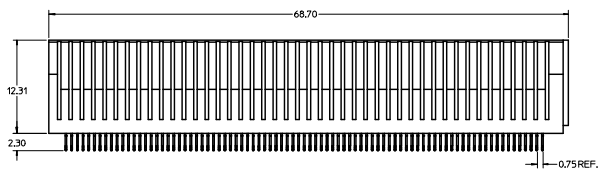
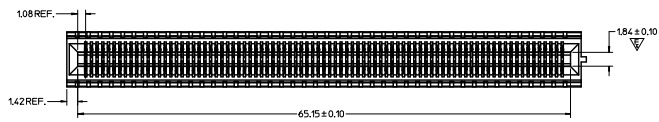
13 12 11 10 9 8 7 6 5 4 3 2 1

75594-0000 LEGEND 170 CIRCUITS						
COMPONENT SIDE 1		ALLEGRO PIN NO.			COMPONENT SIDE 2	
PIN NO.	SIGNAL				SIGNAL	PIN NO.
170						1
169						2
168						3
167						4
166						5
165						6
164						7
163						8
162						9
161						10
160						11
159						12
158						13
157						14
156						15
155						16
154						17
153						18
152						19
151						20
150						21
149						22
148						23
147						24
146						25
145						26
144						27
143						28
142						29
141						30
140						31
139						32
138						33
137						34
136						35
135						36
134						37
133						38
132						39
131						40
130						41
129						42
128						43
127						44
126						45
125						46
124						47
123						48
122						49
121						50
120						51
119						52
118						53
117						54
116						55
115						56
114						57
113						58
112						59
111						60
110						61
109						62
108						63
107						64
106						65
105						66
104						67
103						68
102						69
101						70
100						71
99						72
98						73
97						74
96						75
95						76
94						77
93						78
92						79
91						80
90						81
89						82
88						83
87						84
86						85

SEE SHEET 1 EC NO. UCP2009-2429 2009/05/18 DRAWN BY DROSCHA 2009/05/20 CHKD: JCOMERC I 2009/05/20 APPR: JCOMERC I	QUALITY SYMBOLS ▽=0 ▽=0	GENERAL TOLERANCES (UNLESS SPECIFIED)		DIMENSION STYLE MM ONLY		SCALE 1:1	DESIGN UNITS METRIC	THIRD ANGLE PROJECTION
		4 PLACES ±--- ±---	3 PLACES ±--- ±---	DRAWN BY DROSCHA	DATE 04/28/2008	TITLE SALES ASSEMBLY EDGE CARD, 75 MM PITCH 170 CIRCUIT		
		2 PLACES ±0.13 ±---	1 PLACE ±0.25 ±---	CHECKED BY JCOMERC I	DATE 04/28/2008	APPROVED BY JCOMERC I		
		ANGULAR ±1/2°		MATERIAL NO. SEE SHEET 1		DOCUMENT NO. SD-75594-001		
DRAFT WHERE APPLICABLE MUST REMAIN WITHIN DIMENSIONS				THIS DRAWING CONTAINS INFORMATION THAT IS PROPRIETARY TO MOLEX INCORPORATED AND SHOULD NOT BE USED WITHOUT WRITTEN PERMISSION				SHEET NO. 3 OF 3

1d_frame_C.P. AM.T
Rev. E 2006/04/15

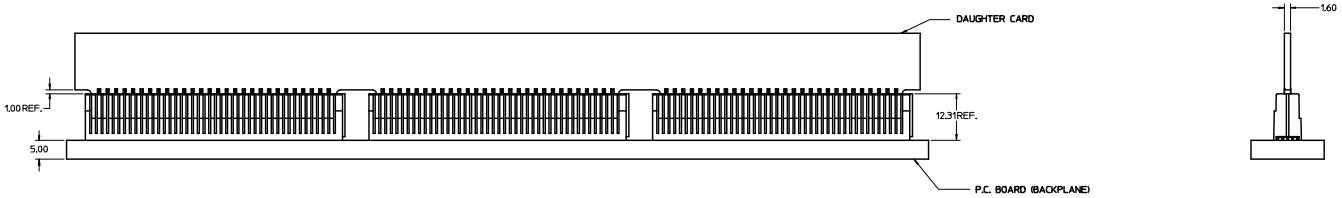
12 11 10 9 8 7 6 5 4 3 2 1



- NOTES:
1. MATERIAL:
HOUSING - GLASS FILLED THERMOPLASTIC, 94-V0, BLACK
TERMINALS - COPPER ALLOY
 2. FINISH:
TERMINALS - 0.76 MICRONS MINIMUM GOLD IN THE CONTACT AREA AND 0.76 - 1.52 MICRONS TIN IN PRESSFIT TAIL AREA OVER 127 MICRONS MINIMUM NICKEL OVERALL.
 3. REFER TO PS-16421-001 PRODUCT SPECIFICATION FOR ALL ELECTRICAL, MECHANICAL, AND ENVIRONMENTAL SPECIFICATIONS.
 4. REFER TO PK-75594-999 FOR ALL PACKAGING SPECIFICATIONS.
 5. PROCESSING: PRESSFIT TO PC BOARD.
 6. MATING PC BOARD THICKNESS = 1.60±0.10MM OVER CONTACT PADS.
 7. PRODUCT IS ELY AND RoHS COMPLIANT. LEVEL OF COMPLIANCE: 6/6
ALL BANNED SUBSTANCES ARE REMOVED:
Pb (LEAD)
HEXAVALENT CHROMIUM (Cr(VI))
CADMIUM
MERCURY
POLYBROMINATED BIPHENYL (PBB)
POLYBROMINATED DIPHENYL ETHER (PBDE)

INITIAL RELEASE ELY NO. 0005-0091 APPROVED BY: DROSCA CHKD: 2008/12/05 APPR: JCOMERC 2008/12/05	QUALITY SYMBOLS	GENERAL TOLERANCES (UNLESS SPECIFIED)	DIMENSION STYLE	SCALE	DESIGN UNITS	THIRD ANGLE PROJECTION
	▽ 0	4 PLACES ± --- ± ---	MM ONLY	4:1	METRIC	⊙
	▽ 1	3 PLACES ± --- ± ---	DRAWN BY DATE			
	▽ 1	2 PLACES ± 0.13 ± ---	DROSCA 10/27/2008			
	▽ 1	1 PLACE ± 0.25 ± ---	CHECKED BY DATE			
		ANGULAR ± 1/2°	JCOMERC 1 10/27/2008			
	▽ 1	DRAFT WHERE APPLICABLE MUST REMAIN WITHIN DIMENSIONS	APPROVED BY DATE			
			JCOMERC 1 10/27/2008			
			MATERIAL NO. 755940000			
			DOCUMENT NO. SD-75594-002			
			THIS DRAWING CONTAINS INFORMATION THAT IS PROPRIETARY TO MOLEX INCORPORATED AND SHOULD NOT BE USED WITHOUT WRITTEN PERMISSION			
						SHEET NO. 1 OF 5

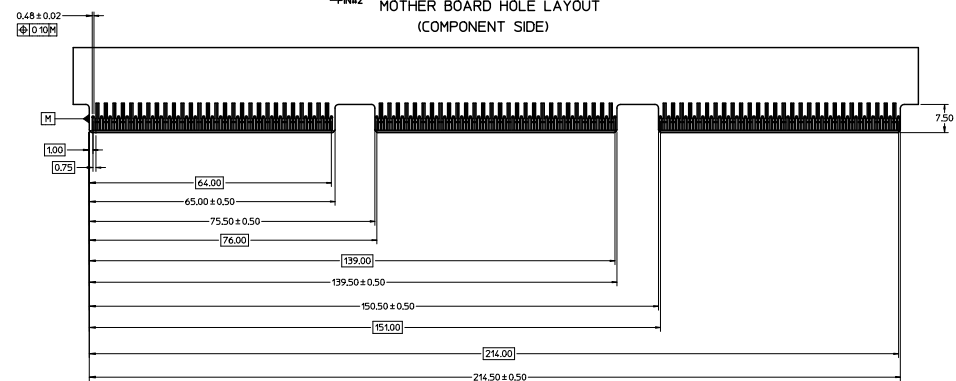
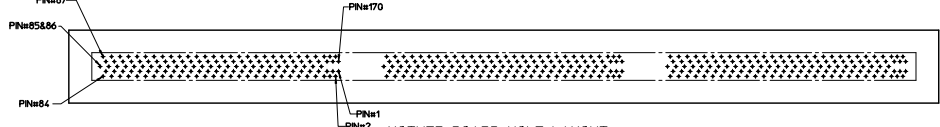
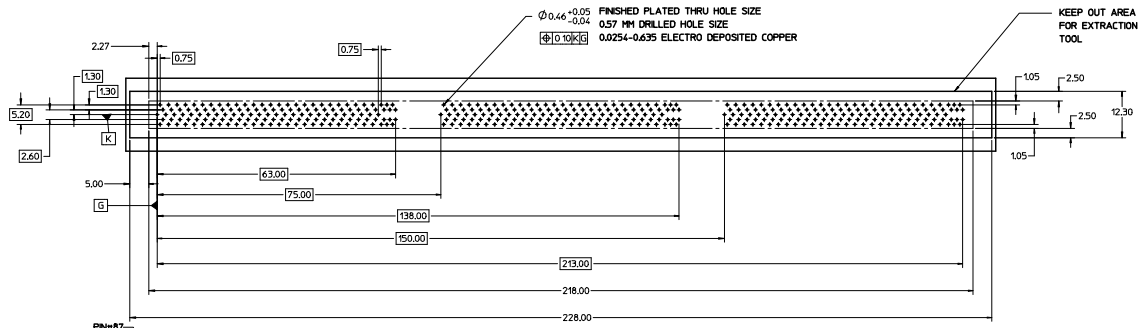
P.C. BOARD MOUNTING



SEE SHEET 1 REF. TO: SD-75594-001 UJDRSCA 2008/12/05 CHKD: JCOMERC 2008/12/05 APPR: JCOMERC 2008/12/09	QUALITY SYMBOLS	GENERAL TOLERANCES (UNLESS SPECIFIED)	DIMENSION STYLE MM ONLY	SCALE 2:1	DESIGN UNITS METRIC	THIRD ANGLE PROJECTION
	∇ - 0 ∇ - 0 ∇ - 0 ∇ - 0	4 PLACES ± --- 3 PLACES ± --- 2 PLACES ± 0.13 1 PLACE ± 0.25 ANGULAR ± 1/2°	min INCH ± --- ± --- ± --- ± ---	DRAWN BY: DROSCA DATE: 10/27/2008 CHECKED BY: JCOMERC DATE: 10/27/2008 APPROVED BY: JCOMERC DATE: 10/27/2008	TITLE	EDGE LINE 12.5GB 0.062"PCB/0.75MM PITCH 170 CIRCUITS
DRAFT WHERE APPLICABLE MUST REMAIN WITHIN DIMENSIONS		MATERIAL NO. SEE SHEET 1 DOCUMENT NO. SD-75594-002		THIS DRAWING CONTAINS INFORMATION THAT IS PROPRIETARY TO MOLEX INCORPORATED AND SHOULD NOT BE USED WITHOUT WRITTEN PERMISSION		

20 19 18 17 16 15 14 13 12 11 10 9 8 7 6 5 4 3 2 1

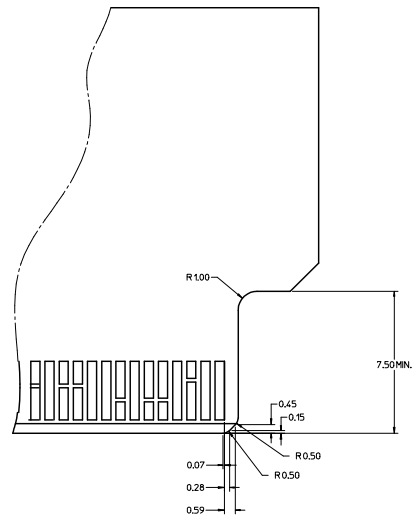
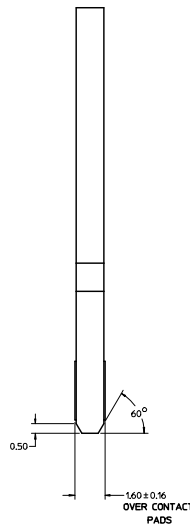
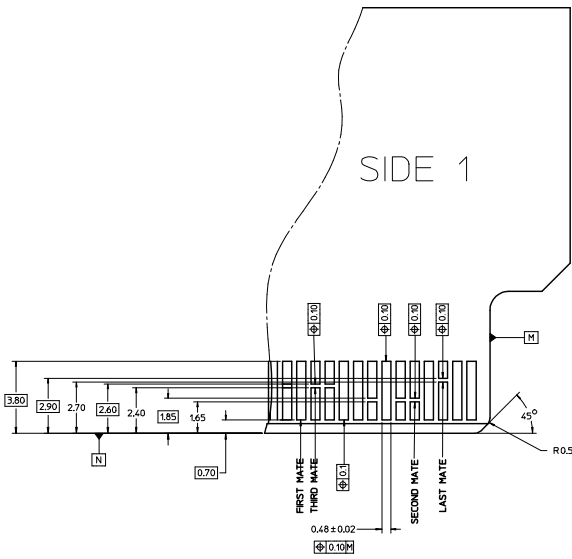
M
L
K
J
I
H
G
F
E
D
C
B
A



SEE SHEET 1 REF. TO: JED-009-0094 UJDRMSRDRSCA 2008/12/05 CHKD: JCOMERC 2008/12/05 APPR: JCOMERC 2008/12/09 REV:	QUALITY SYMBOLS	GENERAL TOLERANCES (UNLESS SPECIFIED)	DIMENSION STYLE	SCALE	DESIGN UNITS	THIRD ANGLE PROJECTION																
	$\nabla=0$ $\nabla=0$	<table border="1"> <thead> <tr> <th></th> <th>MIN</th> <th>INCH</th> </tr> </thead> <tbody> <tr> <td>4 PLACES</td> <td>±---</td> <td>±---</td> </tr> <tr> <td>3 PLACES</td> <td>±---</td> <td>±---</td> </tr> <tr> <td>2 PLACES</td> <td>± 0.13</td> <td>±---</td> </tr> <tr> <td>1 PLACE</td> <td>± 0.25</td> <td>±---</td> </tr> </tbody> </table> ANGULAR ±1/2°		MIN	INCH	4 PLACES	±---	±---	3 PLACES	±---	±---	2 PLACES	± 0.13	±---	1 PLACE	± 0.25	±---	DIMENSION STYLE: MM ONLY SCALE: 2:1 DESIGN UNITS: METRIC	DRAWN BY: DROSCA CHECKED BY: JCOMERC APPROVED BY: JCOMERC	DATE: 10/27/2008 DATE: 10/27/2008 DATE: 10/27/2008	TITLE: EDGE LINE 12.5GB 0.062"PCB/0.75MM PITCH 170 CIRCUITS	MOLEX INCORPORATED
		MIN	INCH																			
	4 PLACES	±---	±---																			
3 PLACES	±---	±---																				
2 PLACES	± 0.13	±---																				
1 PLACE	± 0.25	±---																				
DRAFT WHERE APPLICABLE MUST REMAIN WITHIN DIMENSIONS	SEE SHEET 1	PATENT NO. DOCUMENT NO. SD-75594-002	SHEET NO. 3 OF 5																			
THIS DRAWING CONTAINS INFORMATION THAT IS PROPRIETARY TO MOLEX INCORPORATED AND SHOULD NOT BE USED WITHOUT WRITTEN PERMISSION																						

15 frame_D.P.AM.T Rev. E 2006/04/15 19 18 17 16 15 14 13 12 11 10 9 8 7 6 5 4 3 2 1

MODULE EDGE CARD CONTACT DETAIL



Note:
These are generic details that describe the configuration of various PCB design elements. The customer must determine where and when to use each element to accommodate their specific application.*

SEE SHEET 1 UJDRMNSRSCA CHKD: JCOMERC APPR: JCOMERC 2008/12/05 2008/12/05 2008/12/09	QUALITY SYMBOLS	GENERAL TOLERANCES (UNLESS SPECIFIED)	DIMENSION STYLE	SCALE	DESIGN UNITS	THIRD ANGLE PROJECTION
	▽=0 ▽=0	4 PLACES ±--- ±--- 3 PLACES ±--- ±--- 2 PLACES ±.13 ±--- 1 PLACE ±.25 ±--- ANGULAR ±1/2°	MM ONLY DRAWN BY: DROSCA CHECKED BY: JCOMERC APPROVED BY: JCOMERC DATE: 10/27/2008 DATE: 10/27/2008 DATE: 10/27/2008	10:1	METRIC	EDGE LINE 12.5GB 0.062"PCB/0.75MM PITCH 170 CIRCUITS
	DRAFT WHERE APPLICABLE MUST REMAIN WITHIN DIMENSIONS	MATERIAL NO. SEE SHEET 1 SIZE D	DOCUMENT NO. SD-75594-002	MOLEX INCORPORATED		
	THIS DRAWING CONTAINS INFORMATION THAT IS PROPRIETARY TO MOLEX INCORPORATED AND SHOULD NOT BE USED WITHOUT WRITTEN PERMISSION					

COMPONENT SIDE 1		LEADS TO CIRCUITS		COMPONENT SIDE 2	
PIN NO.	SYMBOL	ALLEGRO PIN NO.	SYMBOL	PIN NO.	
252				1	
253				2	
254				3	
255				4	
256				5	
257				6	
258				7	
259				8	
260				9	
261				10	
262				11	
263				12	
264				13	
265				14	
266				15	
267				16	
268				17	
269				18	
270				19	
271				20	
272				21	
273				22	
274				23	
275				24	
276				25	
277				26	
278				27	
279				28	
280				29	
281				30	
282				31	
283				32	
284				33	
285				34	
286				35	
287				36	
288				37	
289				38	
290				39	
291				40	
292				41	
293				42	
294				43	
295				44	
296				45	
297				46	
298				47	
299				48	
300				49	
301				50	
302				51	
303				52	
304				53	
305				54	
306				55	
307				56	
308				57	
309				58	
310				59	
311				60	
312				61	
313				62	
314				63	
315				64	
316				65	
317				66	
318				67	
319				68	
320				69	
321				70	
322				71	
323				72	
324				73	
325				74	
326				75	
327				76	
328				77	
329				78	
330				79	
331				80	
332				81	
333				82	
334				83	
335				84	
336				85	
337				86	
338				87	
339				88	
340				89	
341				90	
342				91	
343				92	
344				93	
345				94	
346				95	
347				96	
348				97	
349				98	
350				99	
351				100	

SEE SHEET 1 REF. NO. JED-089-004 JED-089-004 DROSCA 2008/12/05 CHKD: JCOMERC 2008/12/05 APPR: JCOMERC 2008/12/09 REV:	QUALITY SYMBOLS	GENERAL TOLERANCES (UNLESS SPECIFIED)	DIMENSION STYLE	SCALE	DESIGN UNITS	THIRD ANGLE PROJECTION
	$\nabla=0$ $\nabla=0$	4 PLACES ±--- ±--- 3 PLACES ±--- ±--- 2 PLACES ±0.13 ±--- 1 PLACE ±0.25 ±--- ANGULAR ±1/2°	mm INCH mm ONLY	4:1	METRIC	
	DRAWN BY DATE DROSCA 10/27/2008 CHECKED BY DATE JCOMERC 10/27/2008 APPROVED BY DATE JCOMERC 10/27/2008	TITLE EDGE LINE 12.5GB 0.062"PCB/0.75MM PITCH 170 CIRCUITS		MOLEX INCORPORATED		
	MATERIAL NO. SEE SHEET 1 DRAFT WHERE APPLICABLE MUST REMAIN WITHIN DIMENSIONS	DOCUMENT NO. SD-75594-002		SHEET NO. 5 OF 5		

THIS DRAWING CONTAINS INFORMATION THAT IS PROPRIETARY TO MOLEX INCORPORATED AND SHOULD NOT BE USED WITHOUT WRITTEN PERMISSION