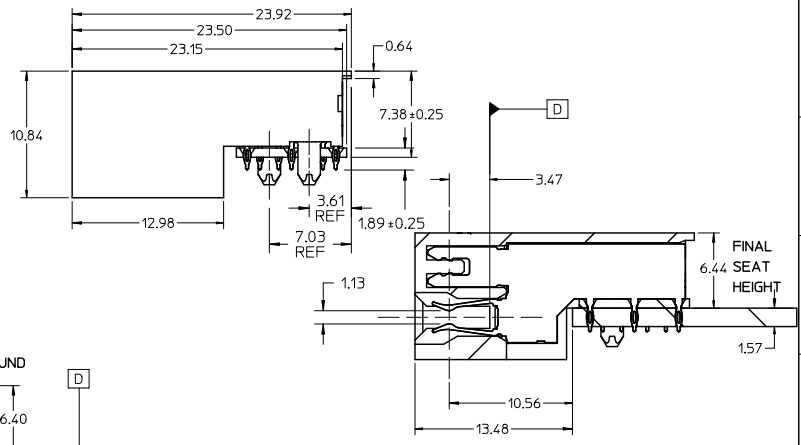
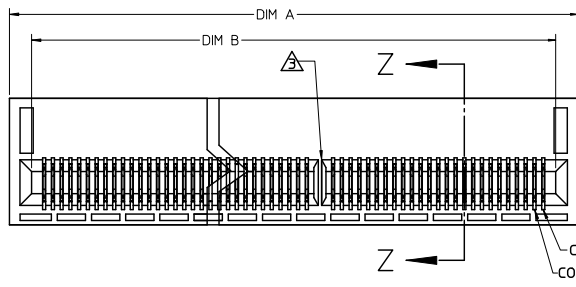
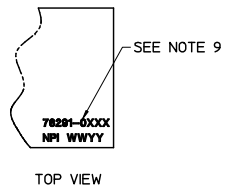
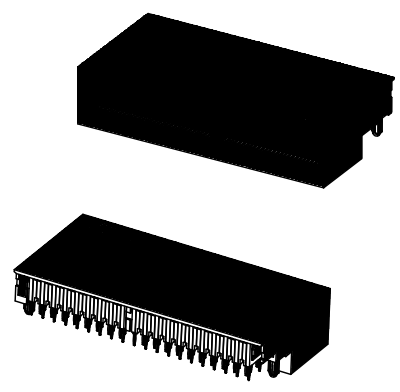
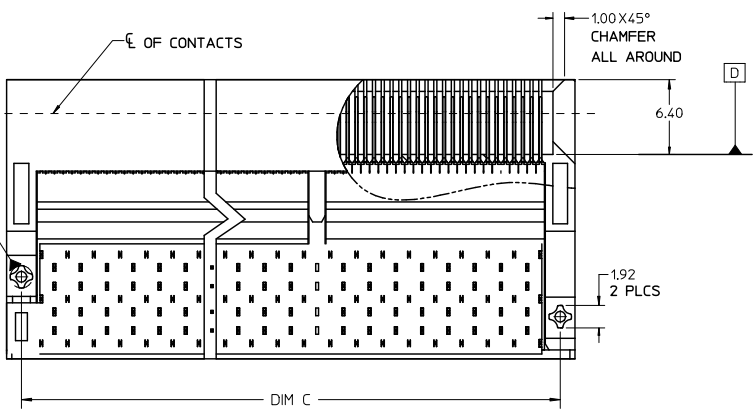


13 12 11 10 9 8 7 6 5 4 3 2 1



SECTION Z-Z

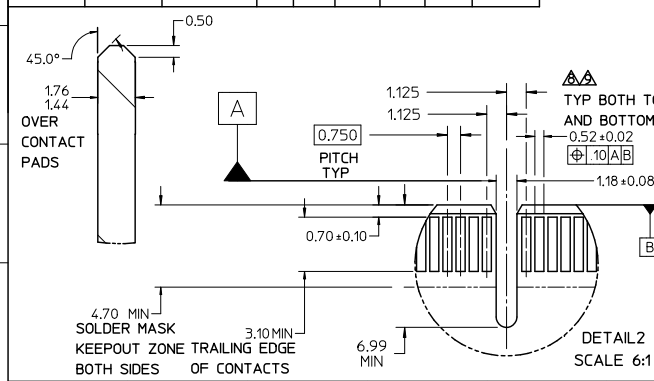
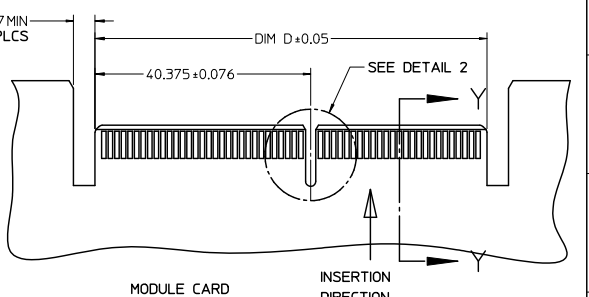
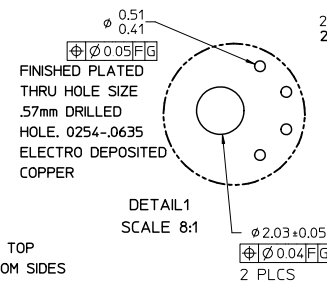
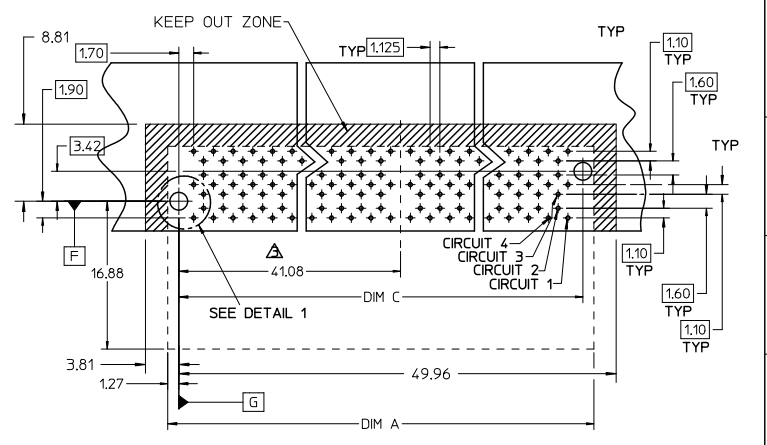
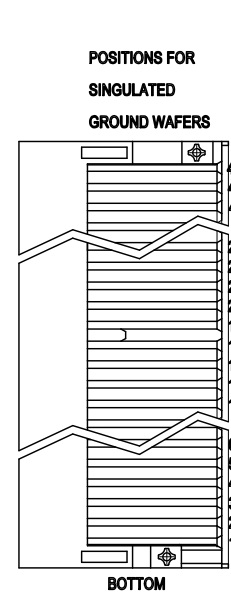


- NOTES:
- MATERIAL -
CONNECTOR HOUSING - GLASS FILLED LCP, 94V-0, BLACK
OVERMOLDING ON TERMINALS: GLASS FILLED LCP, 94V-0, BLACK
TERMINALS: COPPER ALLOY, SPRING TEMPER
 - TERMINAL FINISH:
CONTACT AREA: .754mm HARD GOLD OVER 3.84mm MIN NICKEL.
COMPLIANT AREA: .75-1.50mm TIN OVER .754mm - 1.50mm NICKEL.
 - FOR CIRCUIT SIZES GREATER THAN 170, A CENTER ALIGNMENT KEY WILL BE USED.
 - REFER TO PS-76291-001 PRODUCT SPEC FOR ALL ELECTRICAL, MECHANICAL, AND ENVIRONMENTAL SPECIFICATIONS.
 - REFER TO PK-76291-001 FOR ALL PACKAGING SPECIFICATIONS.
 - REFER TO AS-76291-001 FOR BOARD APPLICATION INFORMATION.
 - MODULE BOARD CONTACT PAD PLATING TO BE .764mm MIN HARD GOLD OVER 2.54mm MIN NICKEL
 - MODULE BOARD CONTACT PAD SURFACE ROUGHNESS NOT TO EXCEED Ra 0.24um.
 - PART TO BE LASER MARKED WITH PART NUMBER, WHERE XXX IS THE CIRCUIT SIZE OR POWER WAFER OPTION, MANUFACTURING FACILITY, AND DATE CODE IN THE FORMATE OF THE WEEK AND LAST 2 DIGITS OF THE YEAR: WWYY

ADDED: KEEP OUT ZONE EC NO: UCP2011-1338 DRAWN: HAVERY 2010/09/30 CHKD: BANKS 2010/11/17 APPR: MBANKS 2010/11/17 REV	QUALITY SYMBOLS	GENERAL TOLERANCES (UNLESS SPECIFIED)	DIMENSION STYLE	SCALE	DESIGN UNITS	THIRD ANGLE PROJECTION																								
	$\nabla=0$ $\nabla=0$	<table border="1"> <tr><th colspan="2">mm</th><th colspan="2">INCH</th></tr> <tr><td>4 PLACES</td><td>±.005</td><td>±.005</td><td></td></tr> <tr><td>3 PLACES</td><td>±.005</td><td>±.005</td><td></td></tr> <tr><td>2 PLACES</td><td>±0.20</td><td>±.010</td><td></td></tr> <tr><td>1 PLACE</td><td>±0.25</td><td>±.010</td><td></td></tr> <tr><td colspan="2">ANGULAR</td><td colspan="2">±1/2°</td></tr> </table>	mm		INCH		4 PLACES	±.005	±.005		3 PLACES	±.005	±.005		2 PLACES	±0.20	±.010		1 PLACE	±0.25	±.010		ANGULAR		±1/2°		MM ONLY	4:1	METRIC	
	mm		INCH																											
	4 PLACES	±.005	±.005																											
3 PLACES	±.005	±.005																												
2 PLACES	±0.20	±.010																												
1 PLACE	±0.25	±.010																												
ANGULAR		±1/2°																												
		DRAWN BY	DATE	TITLE	COPLANAR CONNECTOR GENERAL SALES DRAWING																									
		CHECKED BY	DATE	APPROVED BY	DATE	MOLEX INCORPORATED																								
		MATERIAL NO.	MBANKS 2010/11/17	DOCUMENT NO.	SD-76291-001	SHEET NO. 1 OF 4																								
		DRAFT WHERE APPLICABLE MUST REMAIN WITHIN DIMENSIONS		THIS DRAWING CONTAINS INFORMATION THAT IS PROPRIETARY TO MOLEX INCORPORATED AND SHOULD NOT BE USED WITHOUT WRITTEN PERMISSION																										

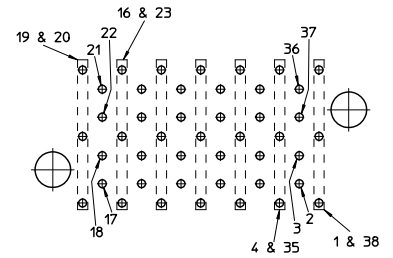
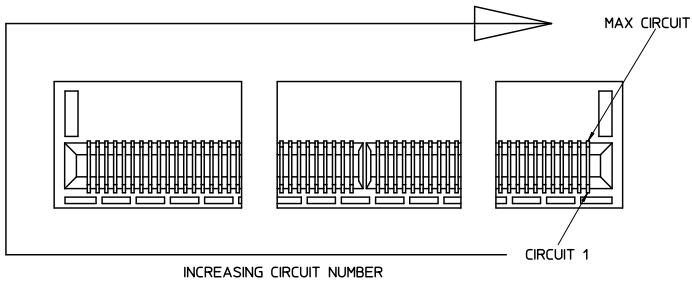
12 11 10 9 8 7 6 5 4 3 2 1

PART NUMBER		STATUS	CKTS	DIM A	DIM B	DIM C	DIM D	PW POS
TIN	TIN/LEAD							
762910008	762910008	NOT TOOLED	8	8.19	4.40	5.65	4.25	-
762910014	762910014	NOT TOOLED	14	10.44	6.65	7.90	6.50	-
762910020	762910020	NOT TOOLED	20	12.69	8.90	10.15	8.75	-
762910026	762910026	NOT TOOLED	26	14.94	11.15	12.40	11.00	-
762910032	762910032	NOT TOOLED	32	17.19	13.40	14.65	13.25	-
762910038	762910038	NOT TOOLED	38	19.44	15.60	16.90	15.50	-
762910044	762910044	NOT TOOLED	44	21.69	17.90	19.15	17.75	-
762910050	762910050	NOT TOOLED	50	23.94	20.15	21.40	20.00	-
762910056	762910056	NOT TOOLED	56	26.19	22.40	23.65	22.25	-
762910062	762910062	NOT TOOLED	62	28.44	24.65	25.90	24.50	-
762910068	762910068	NOT TOOLED	68	30.69	26.90	28.15	26.75	-
762910074	762910074	NOT TOOLED	74	32.94	29.15	30.40	29.00	-
762910080	762910080	NOT TOOLED	80	35.19	31.40	32.65	31.25	-
762910086	762910086	NOT TOOLED	86	37.44	33.65	34.90	33.50	-
762910092	762910092	NOT TOOLED	92	39.69	35.90	37.15	35.75	-
762910098	762910098	NOT TOOLED	98	41.94	38.15	39.40	38.00	-
762910104	762910104	NOT TOOLED	104	44.19	40.40	41.65	40.25	-
762910110	762910110	NOT TOOLED	110	46.44	42.65	43.90	42.50	-
762910116	762910116	NOT TOOLED	116	48.69	44.90	46.15	44.75	-
762910122	762910122	NOT TOOLED	122	50.94	47.15	48.40	47.00	-
762910128	762910128	NOT TOOLED	128	53.19	49.40	50.65	49.25	-
762910134	762910134	NOT TOOLED	134	55.44	51.65	52.90	51.50	-
762910140	762910140	NOT TOOLED	140	57.69	53.90	55.15	53.75	-
762910146	762910146	NOT TOOLED	146	59.94	56.15	57.40	56.00	-
762910152	762910152	NOT TOOLED	152	62.19	58.40	59.65	58.25	-
762910158	762910158	NOT TOOLED	158	64.44	60.65	61.90	60.50	-
762910164	762910164	NOT TOOLED	164	66.69	62.90	64.15	62.75	-
762910170	762910170	NOT TOOLED	170	68.94	65.15	66.40	65.00	-
762910176	762910176	NOT TOOLED	176	71.19	67.40	68.65	67.25	-
762910182	762910182	NOT TOOLED	182	73.44	69.65	70.90	69.50	-
762910188	762910188	NOT TOOLED	188	75.69	71.90	73.15	71.75	-
762910194	762910194	NOT TOOLED	194	77.94	74.15	75.40	74.00	-
762910200	762910200	NOT TOOLED	200	80.19	76.40	77.65	76.25	-
762910206	762910206	NOT TOOLED	206	82.44	78.65	79.90	78.50	-
762910212	762910212	NOT TOOLED	212	84.69	80.90	82.15	80.75	-
762910218	762910218	NOT TOOLED	218	86.94	83.15	84.40	83.00	-
762910224	762910224	NOT TOOLED	224	89.19	85.40	86.65	85.25	-
762910230	762910230	NOT TOOLED	230	91.44	87.65	88.90	87.50	-
762910236	762910236	NOT TOOLED	236	93.69	89.90	91.15	89.75	-
762910242	762910242	NOT TOOLED	242	95.94	92.15	93.40	92.00	-
762910248	762910248	NOT TOOLED	248	98.19	94.40	95.65	94.25	-
762910254	762910254	NOT TOOLED	254	100.44	96.65	97.90	96.50	-

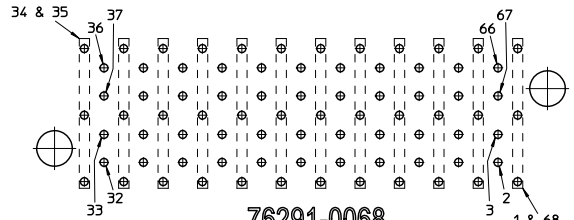


SEE PAGE 1 EC NO. UCP2011-1338 DRAWN BY: N CHKD: N APPR: MBANKI S DATE: 2010/09/30 DATE: 2010/11/17	QUALITY SYMBOLS	GENERAL TOLERANCES (UNLESS SPECIFIED)	DIMENSION STYLE	SCALE	DESIGN UNITS	THIRD ANGLE PROJECTION
	▽=0	4 PLACES ±--- ±---	MM ONLY	4:1	METRIC	☉
	▽=0	3 PLACES ±--- ±.076	DRAWN BY: MBANKI S	DATE: 2010/11/17	TITLE: COPLANAR CONNECTOR GENERAL SALES DRAWING	
		2 PLACES ±0.13 ±.010	CHECKED BY:	DATE:	APPROVED BY: MBANKI S	DATE: 2010/11/17
	1 PLACE ±0.25 ±---	ANGULAR ±1/2°	DRAFT WHERE APPLICABLE MUST REMAIN WITHIN DIMENSIONS	SEE CHART	DOCUMENT NO. SD-76291-001	SHEET NO. 2 OF 4
					THIS DRAWING CONTAINS INFORMATION THAT IS PROPRIETARY TO MOLEX INCORPORATED AND SHOULD NOT BE USED WITHOUT WRITTEN PERMISSION	

13 12 11 10 9 8 7 6 5 4 3 2 1



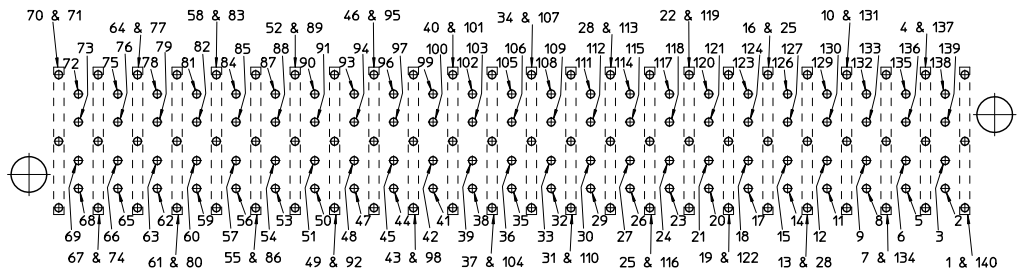
76291-0038



76291-0068

NOTES ON CIRCUIT DESIGNATIONS

1. CIRCUIT 1 STARTS AT LOWER RIGHT HAND CORNER AND INCREASES TO THE LEFT ACROSS THE BOTTOM AND INCREASES TO THE RIGHT ACROSS THE TOP.
2. THERE IS NOT A 1:1 CORRESPONDENCE BETWEEN THE CIRCUIT NUMBER AND THE TAIL HOLE LOCATIONS. EACH GROUND HAS TWO CONTACTS AND THREE TAILS. THE BOXES AROUND THE THREE VERTICAL HOLES INDICATE THE UPPER AND LOWER GROUND CONTACTS SHARE THE THREE TAIL HOLE LOCATIONS.

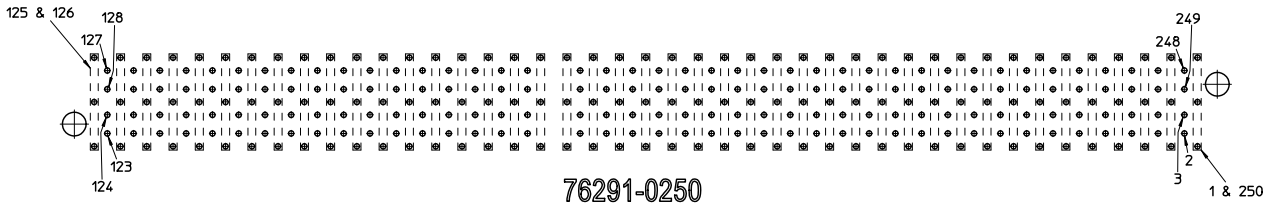
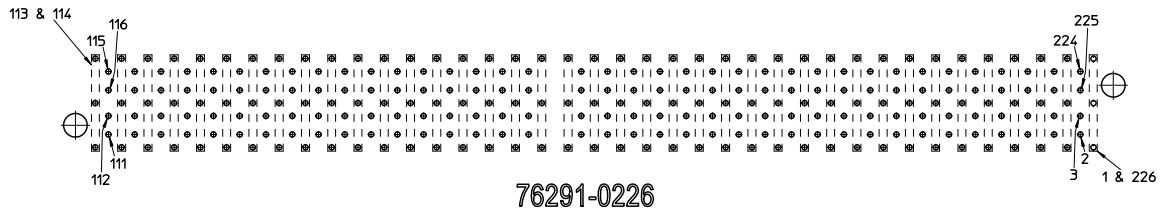
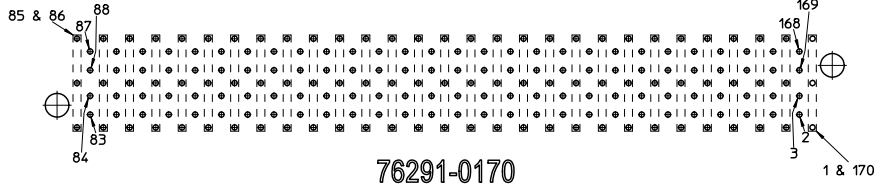


76291-0140

SEE PAGE 1 EC NO: UCP2011-1338 DRAWN BY: 2010/09/30 CHKD: MBANK1S APPR: MBANK1S 2010/11/17	QUALITY SYMBOLS	GENERAL TOLERANCES (UNLESS SPECIFIED)		DIMENSION STYLE	SCALE	DESIGN UNITS	THIRD ANGLE PROJECTION	
	▽=0 ▽=0	mm	INCH	MM ONLY	4:1	METRIC		
		4 PLACES ±.001 ±.001		DRAWN BY	DATE	TITLE	COPLANAR CONNECTOR GENERAL SALES DRAWING	
		3 PLACES ±.002 ±.002		CHECKED BY	DATE	MOLEX INCORPORATED		
	2 PLACES ±.013 ±.010		APPROVED BY	DATE	MATERIAL NO.	DOCUMENT NO.	SHEET NO.	
	1 PLACE ±0.25 ±.001		MBANK1S	2010/11/17	SD-76291-001	3 OF 4		
	ANGULAR ±1/2°	DRAFT WHERE APPLICABLE MUST REMAIN WITHIN DIMENSIONS		SEE CHART PG2	THIS DRAWING CONTAINS INFORMATION THAT IS PROPRIETARY TO MOLEX INCORPORATED AND SHOULD NOT BE USED WITHOUT WRITTEN PERMISSION			

12 11 10 9 8 7 6 5 4 3 2 1

13 12 11 10 9 8 7 6 5 4 3 2 1



SEE PAGE 1 EC NO: UCP2011-1338 DRAWN BY: N CHKD: Z APPR: MBANK1S DATE: 2010/09/30 DATE: 2010/11/17	QUALITY SYMBOLS	GENERAL TOLERANCES (UNLESS SPECIFIED)	DIMENSION STYLE	SCALE	DESIGN UNITS	THIRD ANGLE PROJECTION
	▽=0 ▽=0	4 PLACES ±--- ±--- 3 PLACES ±--- ±.076 2 PLACES ±0.13 ±.010 1 PLACE ±0.25 ±--- ANGULAR ±1/2°	MM ONLY	4:1	METRIC	COPLANAR CONNECTOR GENERAL SALES DRAWING
	DESCRIPTION	DRAFT WHERE APPLICABLE MUST REMAIN WITHIN DIMENSIONS	DRAWN BY: MBANK1S CHECKED BY: MBANK1S APPROVED BY: MBANK1S MATERIAL NO.: MBANK1S DATE: 2010/11/17	DATE	DATE	MOLEX INCORPORATED DOCUMENT NO.: SD-76291-001
	REV		SEE CHART PG2			SHEET NO. 4 OF 4 THIS DRAWING CONTAINS INFORMATION THAT IS PROPRIETARY TO MOLEX INCORPORATED AND SHOULD NOT BE USED WITHOUT WRITTEN PERMISSION

12 11 10 9 8 7 6 5 4 3 2 1