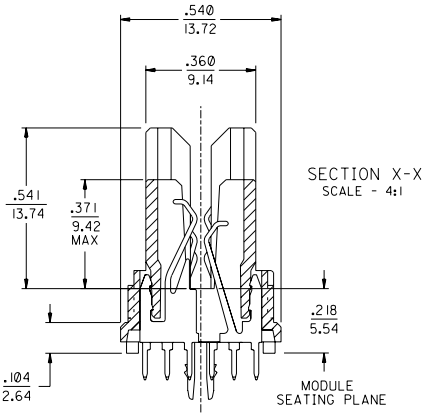
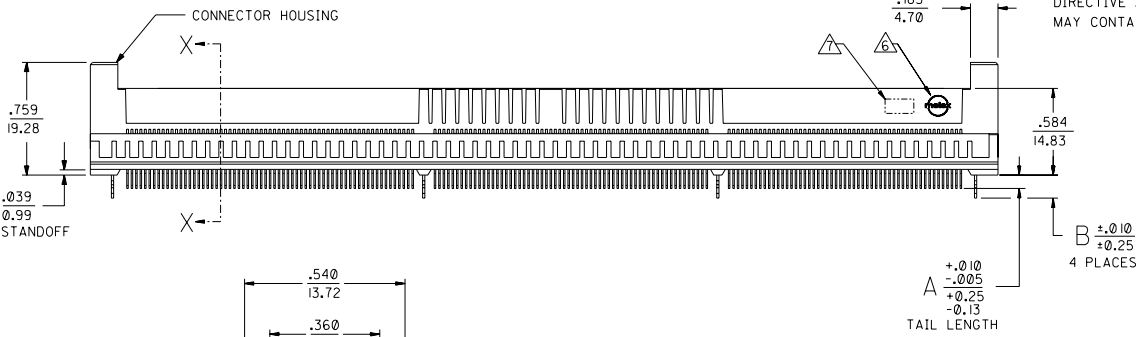
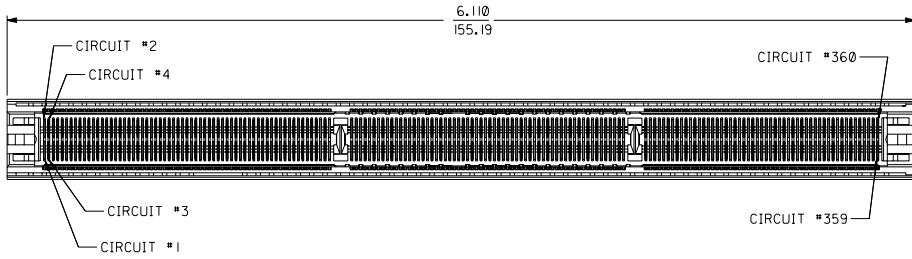


**NOTES:**

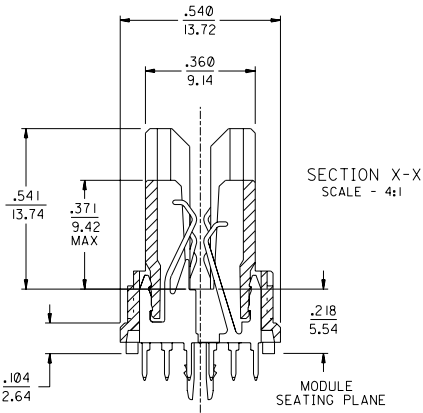
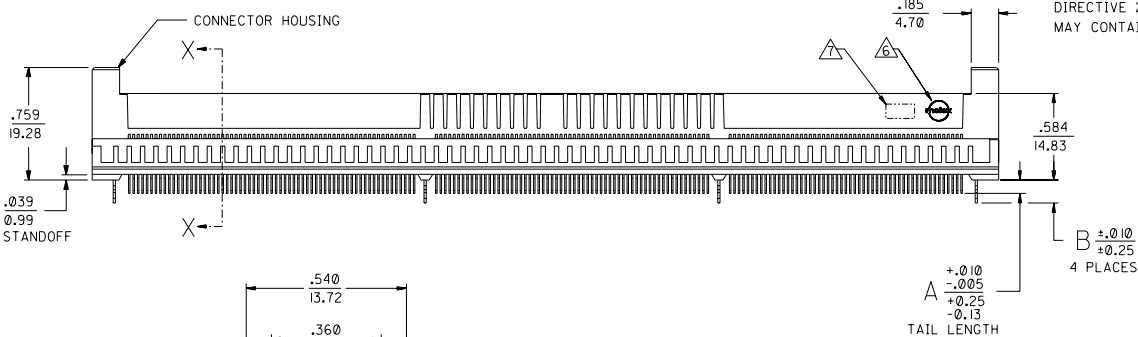
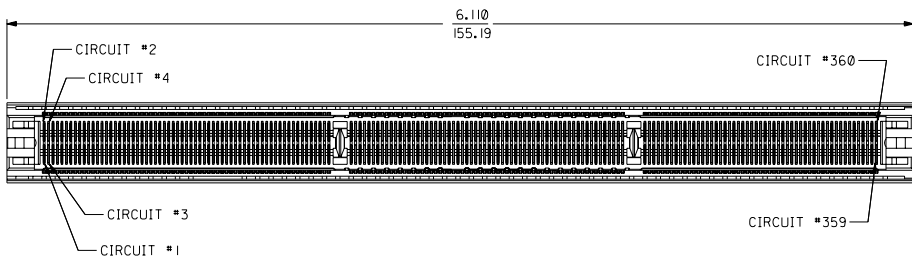
- MATERIALS:**  
HOUSING - LCP, 30% GLASS FILLED, 94-V0, BLACK.  
TERMINALS - PHOSPHOR BRONZE.  
METAL FORKLLOCKS - PHOSPHOR BRONZE.
- FINISH:**  
TERMINALS - .000030/0.00076 MINIMUM GOLD IN THE CONTACT AREA AND .000075/0.0019 MINIMUM TIN IN SOLDER TAIL AREA OVER .000050/0.0013 MINIMUM NICKEL OVERALL.  
METAL FORKLLOCKS - .00008/0.002 MINIMUM TIN OVERALL.
- PRODUCT SPECIFICATION PS-71109-9999 APPLIES.
- CARD SLOT ACCEPTS .062 +.007/- .005 P.C. BOARD.
- THE RECOMMENDED PLATING SPECIFICATION FOR THE MATING PC BOARD IS .000030/0.0076 MINIMUM GOLD OVER .000075/0.0019 MINIMUM NICKEL.
- MOLEX LOGO SHALL APPEAR ON BOTH SIDEN OF HOUSING AND LOCATED APPROXIMATELY AS SHOWN.
- FOUR DIGIT DATE CODE (YR/WK) SHALL BE LOCATED APPROXIMATELY AS SHOWN.
- THE PRIMARY SHIPPING CARTON WILL BE LABELED 'COMPLIANT TO ROHS DIRECTIVE 2002/95/EC AND ELV ANNEX II OF DIRECTIVE 2000/53/EC'. CARTONS WITHOUT THIS LABEL MAY CONTAIN PRODUCT WITH LEAD.



71109-5029		.115/2.92	.155/3.94			2	B
MAT'L NUMBER		A	B			1	E
QUALITY SYMBOLS		GENERAL TOLERANCES (UNLESS SPECIFIED)		SCALE 2:1	DESIGN UNITS <input type="checkbox"/> mm <input checked="" type="checkbox"/> INCH	DIMENSIONS: <input type="checkbox"/> mm <input checked="" type="checkbox"/> INCH <input type="checkbox"/> mm ONLY	
MAJOR		mm		DRAWN BY & DATE		TITLE: SALES ASSEMBLY	
CRITICAL		INCH		TMCCLELL 08/14/98		360 CKT "HiSpec" CONNECTOR	
4 PLACES ±0.13		±.005		CHECKED BY & DATE		W/METAL FORKLLOCKS	
3 PLACES ±0.13		±.		RESENDEZ 08/14/98		MOLEX INCORPORATED	
2 PLACES ±0.13		±.		APPROVED BY & DATE		MATERIAL NO. DRAWING NO.	
1 PLACE ±0.13		±.		NELSON 08/14/98		WORKMANAGER SEE CHART SD-71109-511	
ANGULAR: ± 1°				CAD FILENAME		SHEET NO.	
DRAFT WHERE APPLICABLE MUST REMAIN WITHIN DIMENSIONS				THIS DRAWING CONTAINS INFORMATION THAT IS PROPRIETARY TO MOLEX INCORPORATED AND SHOULD NOT BE USED WITHOUT WRITTEN PERMISSION.		1 OF 2	

**NOTES:**

- MATERIALS:**  
HOUSING - LCP, 30% GLASS FILLED, 94-V0, BLACK.  
TERMINALS - PHOSPHOR BRONZE.  
METAL FORKLLOCKS - PHOSPHOR BRONZE.
- FINISH:**  
TERMINALS - .000030/0.00076 MINIMUM GOLD IN THE CONTACT AREA AND .000075/0.0019 MINIMUM TIN IN SOLDER TAIL AREA OVER .000050/0.0013 MINIMUM NICKEL OVERALL.  
METAL FORKLLOCKS - .00008/0.002 MINIMUM TIN OVERALL.
- PRODUCT SPECIFICATION PS-71109-9999 APPLIES.
- CARD SLOT ACCEPTS .062 +.007/-.005 P.C. BOARD.
- THE RECOMMENDED PLATING SPECIFICATION FOR THE MATING PC BOARD IS .000030/0.0076 MINIMUM GOLD OVER .000075/0.0019 MINIMUM NICKEL.
- MOLEX LOGO SHALL APPEAR ON BOTH SIDES OF HOUSING AND LOCATED APPROXIMATELY AS SHOWN.
- FOUR DIGIT DATE CODE (YR/WK) SHALL BE LOCATED APPROXIMATELY AS SHOWN.
- THE PRIMARY SHIPPING CARTON WILL BE LABELED "COMPLIANT TO ROHS DIRECTIVE 2002/95/EC AND ELV ANNEX II OF DIRECTIVE 2000/53/EC". CARTONS WITHOUT THIS LABEL MAY CONTAIN PRODUCT WITH LEAD.



REDUCE TIN THK EC NO. UCP2004-2347 DRWR: WHITE 04/05/20 CHK: BARKER 04/05/20 APPR: MILLER 04/05/20	71109-5029	.115/2.92	.155/3.94	2	B
	MAT'L NUMBER	A	B	1	E
	QUALITY SYMBOLS	GENERAL TOLERANCES: (UNLESS SPECIFIED)		SCALE 2:1	
	MAJOR	mm INCH		DESIGN UNITS <input type="checkbox"/> mm <input checked="" type="checkbox"/> INCH	
CRITICAL	4 PLACES ±0.	±.	3 PLACES ±0.	±.005	DRAWN BY & DATE TMCCLELL 08/14/98
	2 PLACES ±0.13	±.	1 PLACE ±0.	±.	CHECKED BY & DATE RESENDEZ 08/14/98
	ANGULAR: ± 1°		APPROVED BY & DATE NELSON 08/14/98		TITLE: 360 CKT "HiSpec" CONNECTOR W/METAL FORKLLOCKS
	DRAFT WHERE APPLICABLE MUST REMAIN WITHIN DIMENSIONS		CAD FILENAME WORKMANAGER		MATERIAL NO. SEE CHART
	THIS DRAWING CONTAINS INFORMATION THAT IS PROPRIETARY TO MOLEX INCORPORATED AND SHOULD NOT BE USED WITHOUT WRITTEN PERMISSION.		DRAWING NO. SD-71109-511		MOLEX INCORPORATED
					SHEET NO. 1 OF 2
					SIZE C

