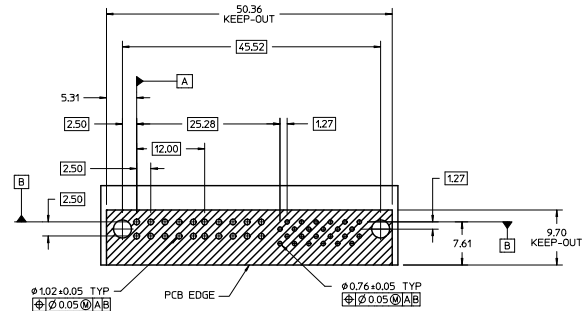
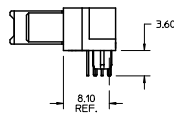
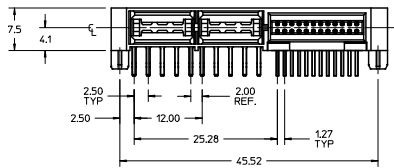


RECOMMENDED
CARD EDGE LAYOUT
THICKNESS: 1.57/0.62



RECOMMENDED PCB LAYOUT
COMPONENT SIDE
PCB THICKNESS: 2.36/0.93

- NOTES:
1. MATERIAL HOUSING: LCP, 94V-0, COLOR-BLACK. CONTACT: COPPER ALLOY.
 2. FINISH: SELECT GOLD - 76 $\mu\text{M}/30$ MI MIN. CONTACT. SELECT TIN - 3.81 $\mu\text{M}/150$ MI MIN. TAIL. BOTH OVER NICKEL - 127 $\mu\text{M}/50$ MI MIN.
 3. POWER TERMINALS LUBRICATED IN CONTACT AREA.
 4. PRODUCT SPECIFICATION: PS-45984-001.
 5. PACKAGING: TRAY PER PK-45984-001.
 6. PARTS ARE RoHS COMPLIANT.
 7. MATES TO 157/0.62 CARD EDGE OR MOLEX P/N 45985-4***

PRELIMINARY EPC 157/0.62-0520 CHANDRANANDRA 2010/04/23 CHANDRANANDRA 2010/04/23 APPROV: APATEL 2010/06/03	QUALITY SYMBOLS	GENERAL TOLERANCES (UNLESS SPECIFIED)	DIMENSION STYLE	SCALE	DESIGN UNITS	THIRD ANGLE PROJECTION															
	$\nabla=0$ $\nabla=0$ $\nabla=0$	<table border="1"> <thead> <tr> <th></th> <th>mm</th> <th>INCH</th> </tr> </thead> <tbody> <tr> <td>4 PLACES</td> <td>±---</td> <td>±---</td> </tr> <tr> <td>3 PLACES</td> <td>±---</td> <td>±---</td> </tr> <tr> <td>2 PLACES</td> <td>±0.25</td> <td>±---</td> </tr> <tr> <td>1 PLACE</td> <td>±---</td> <td>±---</td> </tr> </tbody> </table>		mm	INCH	4 PLACES	±---	±---	3 PLACES	±---	±---	2 PLACES	±0.25	±---	1 PLACE	±---	±---	mm ONLY DRAWN BY: MBANDURA 2010/04/23 CHECKED BY: MBANDURA 2010/04/23 APPROVED BY: APATEL 2010/06/03 MATERIAL NO. 459840011 DOCUMENT NO. SD-45984-011	3:1	METRIC	
		mm	INCH																		
	4 PLACES	±---	±---																		
3 PLACES	±---	±---																			
2 PLACES	±0.25	±---																			
1 PLACE	±---	±---																			
DRAFT WHERE APPLICABLE MUST REMAIN WITHIN DIMENSIONS						TITLE: LOW PROFILE HYBRID RECEPTACLE ASSEMBLY 4-POWER 24-SIGNAL MOLEX INCORPORATED SHEET NO. 1 OF 1															
THIS DRAWING CONTAINS INFORMATION THAT IS PROPRIETARY TO MOLEX INCORPORATED AND SHOULD NOT BE USED WITHOUT WRITTEN PERMISSION																					