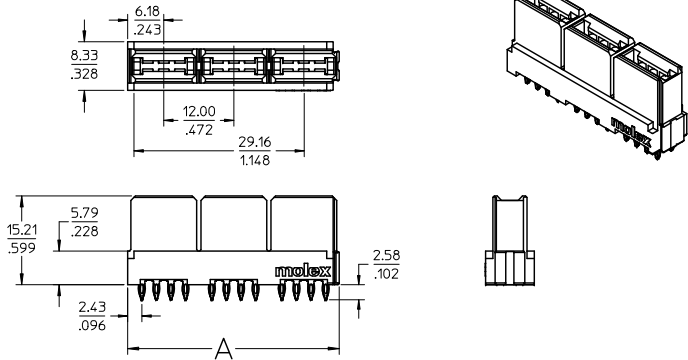


13 12 11 10 9 8 7 6 5 4 3 2 1

P/N 46112-601 SHOWN



- NOTES:
 1. MATERIAL: HOUSING: LCP, 94-V0, COLOR: BLACK.
 POWER CONTACTS: COPPER ALLOY.
 SIGNAL CONTACTS: MODIFIED TIN BRASS.
 2. FINISH: SELECT GOLD - 0.75 μ M/30 μ INCHES
 SELECTED TIN - 191 μ M/75 μ INCHES
 OR SELECTED TIN-LEAD - 191 μ M/75 μ INCHES
 BOTH OVER NICKEL - 125 μ M/50 μ INCHES
 3. POWER CONTACTS ARE LUBRICATED IN CONTACT AREA.
 4. PARTS ARE ROHS COMPLIANT.
 5. MATES TO MOLEX P/N 45985-SERIES OR EDGE CARD 1.57/0.62.
 6. PRODUCT SPECIFICATION PS-46114-001.
 7. PACKAGING: PER PK-46114-003.

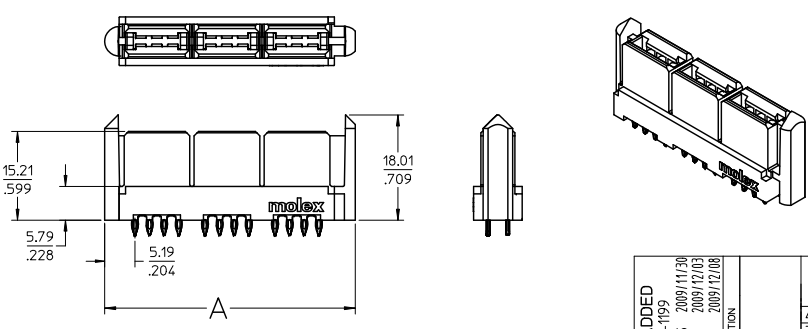
POWER HOUSING ASSY W/ INTERLOCK

NO OF CKT	MATERIAL NUMBER	COMPLIANT PIN PLATING	DIM A	DIM B SEE SHT 2	DIM C SEE SHT 2
2	46112-0201	TIN	12.24/482	12.75/502	2.69/106
	46112-0205	TIN-LEAD			
4	46112-0401	TIN	24.24/954	24.74/974	
	46112-0405	TIN-LEAD			
6	46112-0601	TIN	36.24/1427	36.75/1447	
	46112-0605	TIN-LEAD			
8	46112-0801	TIN	48.24/1899	48.74/1919	
	46112-0805	TIN-LEAD			
10	46112-1001	TIN	60.24/2372	60.76/2392	
	46112-1005	TIN-LEAD			
12	46112-1201	TIN	75.00/2953	75.51/2973	
	46112-1205	TIN-LEAD			
14	46112-1401	TIN	84.24/3317	84.76/3337	
	46112-1405	TIN-LEAD			

POWER HOUSING ASSY WITH (2) GUIDES

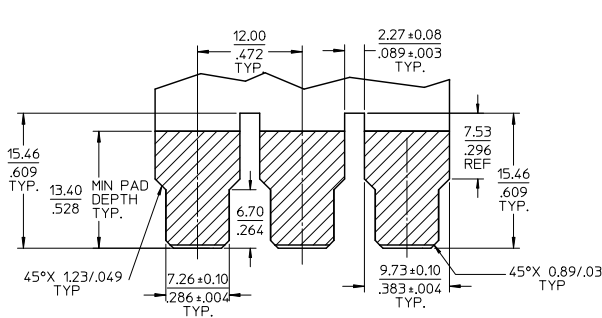
NO OF CKT	MATERIAL NUMBER	COMPLIANT PIN PLATING	DIM A	DIM B	DIM C
2	46112-0203	TIN	18.94/746	19.46/766	5.45/215
	46112-0206	TIN-LEAD			
4	46112-0403	TIN	30.94/1218	31.45/1238	
	46112-0406	TIN-LEAD			
6	46112-0603	TIN	42.94/1691	43.46/1711	
	46112-0606	TIN-LEAD			
8	46112-0803	TIN	54.94/2163	55.45/2183	
	46112-0806	TIN-LEAD			
10	46112-1003	TIN	66.94/2635	67.44/2655	
	46112-1006	TIN-LEAD			
12	46112-1203	TIN	78.94/3108	79.45/3128	
	46112-1206	TIN-LEAD			
14	46112-1403	TIN	90.94/3580	91.44/3600	
	46112-1406	TIN-LEAD			

P/N 46112-603 SHOWN

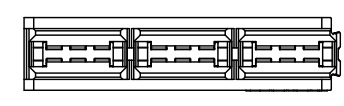


PRESS-FIT ADDED EC NO: UCP200-1199 DRAWN: KRAO1M5 CHKD: 200912/03 APPR: JCOMERC1 200912/08 DESCRIPTION REV	GENERAL TOLERANCES (UNLESS SPECIFIED): mm INCH 4 PLACES ±.010 ±.0004 3 PLACES ±.025 ±.0015 2 PLACES ±.050 ±.0030 1 PLACE ±.100 ±.0060 ANGULAR ±1/2°	DIMENSION STYLE IN/MM DRAWN BY DATE CHECKED BY DATE APPROVED BY DATE JCOMERC1 2009/12/03	SCALE 2:1 DESIGN UNITS INCH THIRD ANGLE PROJECTION	TITLE LPH VERTICAL RECEPTACLE POWER ASSEMBLY 2 CKT-14 CKT, PRESS-FIT ©
	DRAFT WHERE APPLICABLE MUST REMAIN WITHIN DIMENSIONS	SEE CHART SIZE C	MATERIAL NO. DOCUMENT NO. SD-46112-200	SHEET NO. 1 OF 2
	THIS DRAWING CONTAINS INFORMATION THAT IS PROPRIETARY TO MOLEX INCORPORATED AND SHOULD NOT BE USED WITHOUT WRITTEN PERMISSION			
	MOLEX INCORPORATED			

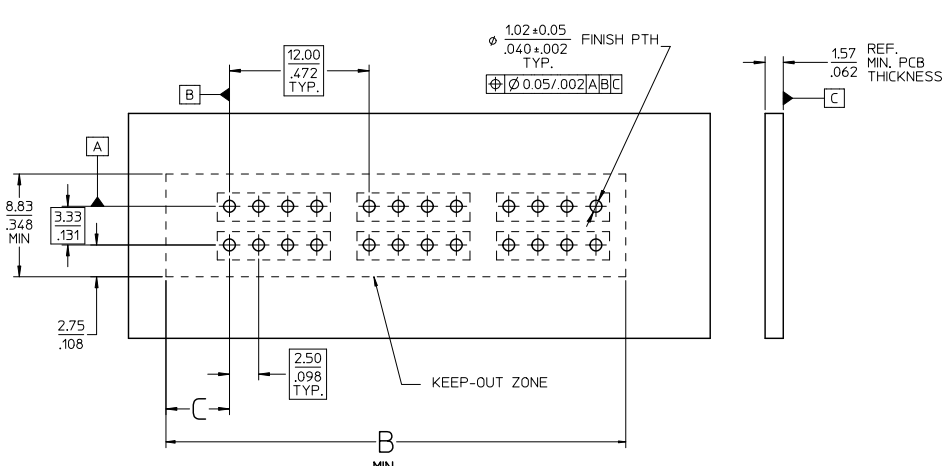
13 12 11 10 9 8 7 6 5 4 3 2 1



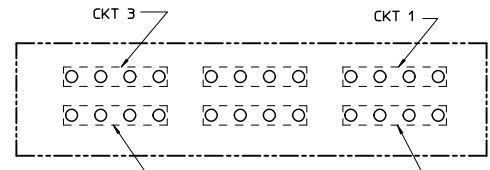
RECOMMENDED EDGE CARD LAYOUT
 EDGE CARD THICKNESS: 157/.062
 PLATING: GOLD 30 μ INCHES MIN.
 OVER 150 μ INCHES NICKEL.



P/N 46112-601 SHOWN



PCB COMPONENT SIDE
 SCALE 4:1



PCB LAYOUT: COMPONENT SIDE
 SCALE 4:1

SEE SHT 1 EIC NO: LCP2010-1199 DESIGNED BY: JCOMERCIAL CHECKED BY: JCOMERCIAL APPR: JCOMERCIAL DATE: 2009/12/03 DATE: 2009/12/08	GENERAL TOLERANCES (UNLESS SPECIFIED)		DIMENSION STYLE IN/MM		SCALE 3:1	DESIGN UNITS INCH	THIRD ANGLE PROJECTION	
	4 PLACES ± --- ± --- 3 PLACES ± --- ± .010 2 PLACES ± 0.25 ± --- 1 PLACE ± --- ± --- ANGULAR ± 1/2°		DRAWN BY: DATE CHECKED BY: DATE APPROVED BY: DATE JCOMERCIAL 2009/12/03		TITLE LPH VERTICAL RECEPTACLE POWER ASSEMBLY 2 CKT-14 CKT, PRESS-FIT MOLEX INCORPORATED			
	DRAFT WHERE APPLICABLE MUST REMAIN WITHIN DIMENSIONS		MATERIAL NO. SEE CHART		DOCUMENT NO. SD-46112-200		SHEET NO. 2 OF 2	
	THIS DRAWING CONTAINS INFORMATION THAT IS PROPRIETARY TO MOLEX INCORPORATED AND SHOULD NOT BE USED WITHOUT WRITTEN PERMISSION							

12 11 10 9 8 7 6 5 4 3 2 1