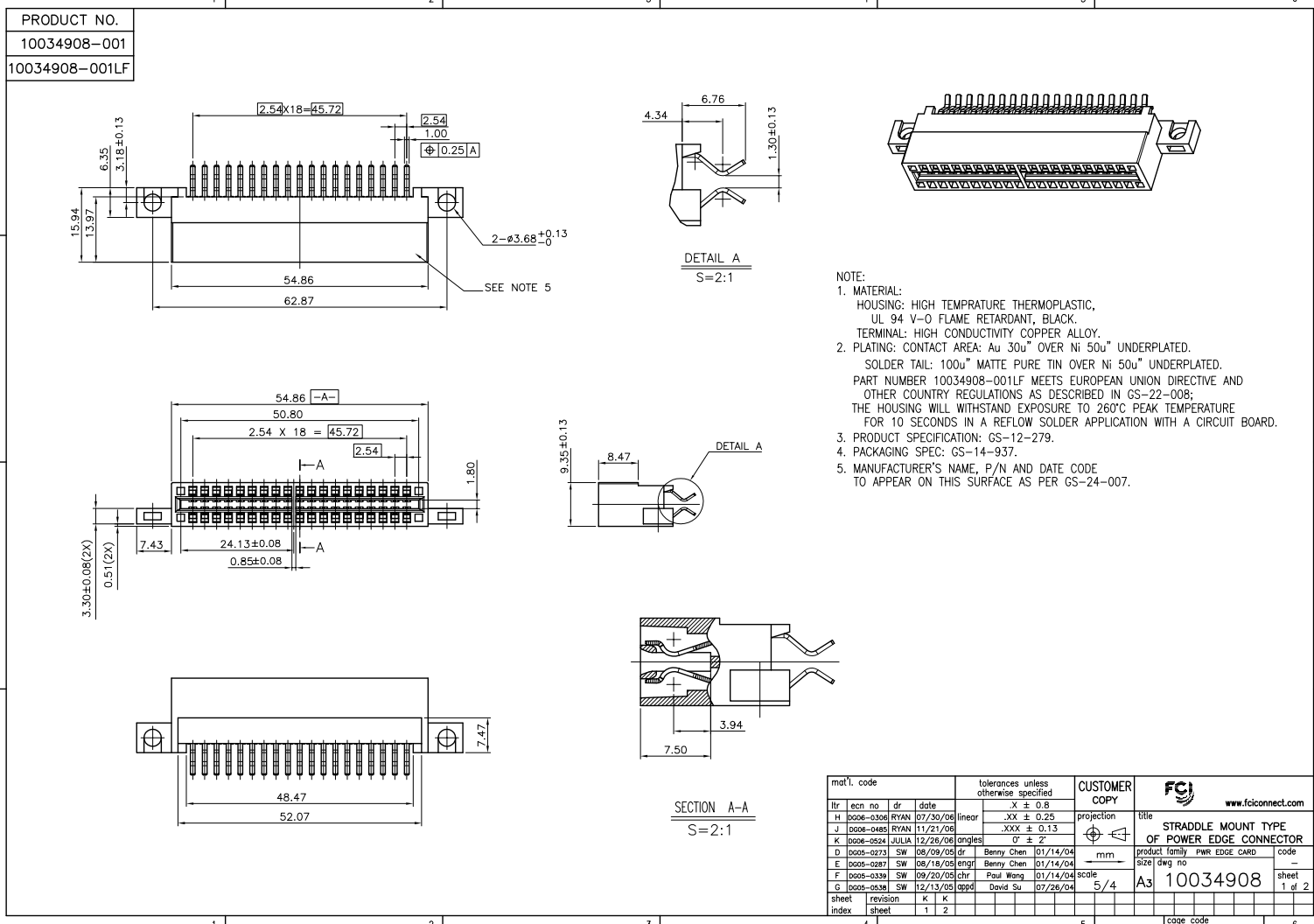


Tous droits strictement réservés. Reproduction ou communication à des tiers interdite sans autorisation écrite du propriétaire. Property of © FCI ELECTRONICS. Copyright © FCI ELECTRONICS INC.



- NOTE:
- MATERIAL:
HOUSING: HIGH TEMPERATURE THERMOPLASTIC, UL 94 V-0 FLAME RETARDANT, BLACK.
TERMINAL: HIGH CONDUCTIVITY COPPER ALLOY.
 - PLATING: CONTACT AREA: Au 30u" OVER Ni 50u" UNDERPLATED.
SOLDER TAIL: 100u" MATTE PURE TIN OVER Ni 50u" UNDERPLATED.
PART NUMBER 10034908-001LF MEETS EUROPEAN UNION DIRECTIVE AND OTHER COUNTRY REGULATIONS AS DESCRIBED IN GS-22-008; THE HOUSING WILL WITHSTAND EXPOSURE TO 260°C PEAK TEMPERATURE FOR 10 SECONDS IN A REFLOW SOLDER APPLICATION WITH A CIRCUIT BOARD.
 - PRODUCT SPECIFICATION: GS-12-279.
 - PACKAGING SPEC: GS-14-937.
 - MANUFACTURER'S NAME, P/N AND DATE CODE TO APPEAR ON THIS SURFACE AS PER GS-24-007.

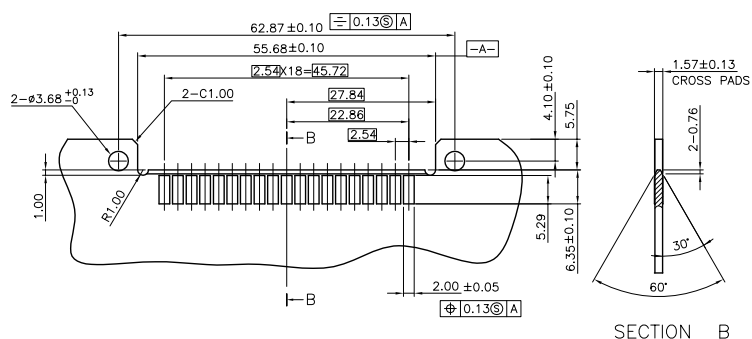
mat'l. code		tolerances unless otherwise specified		CUSTOMER COPY		FCI		www.fciconnect.com	
lfr	ecm no	dr	date	linear	X ± 0.8	projection			
H	0206-0306	RYAN	07/30/06		.XX ± 0.25		title		
J	0206-0485	RYAN	11/21/06		.XXX ± 0.15		STRADDLE MOUNT TYPE OF POWER EDGE CONNECTOR		
K	0206-0524	DJLIR	12/28/06	angles	0° ± 2'		product family pwr edge card code		
D	0205-0223	SW	06/09/05	dr			size dwg no		
E	0205-0287	SW	06/18/05	engr			10034908		
F	0205-0339	SW	09/20/05	chr			5/4		
G	0205-0536	SW	12/13/05	appd			A3		
sheet	revision	K	K				code code		
index	sheet	1	2				22526		

PDM: Rev:K STATUS:Released Printed: Dec 03, 2010

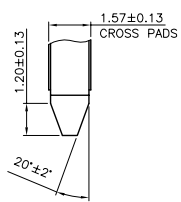
Tous droits strictement réservés. Reproduction ou communication à des tiers interdite sans autorisation écrite du propriétaire. Property of © FCI ELECTRONICS. Droits de reproduction FCI ELECTRONICS INC.

All rights strictly reserved. Reproduction or issue to third parties in any form whatever is not permitted without written authority from the proprietor. Copyright © FCI ELECTRONICS INC.

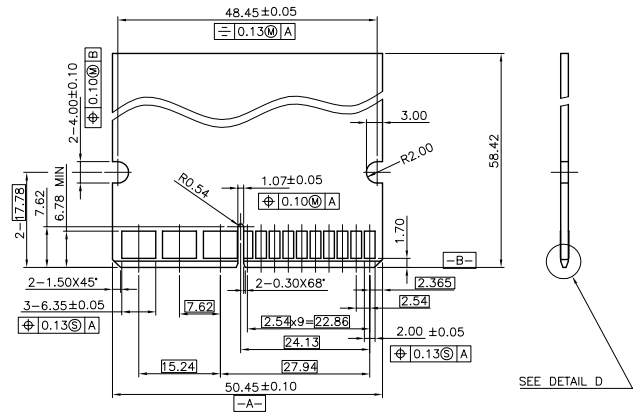
PRODUCT NO.
10034908-001
10034908-001LF



RECOMMENDED PC BOARD LAYOUT FOR CONNECTOR SOLDER TAILS



DETAIL D
SCALE 5:1



RECOMMENDED MATING BOARD EDGE CONFIGURATION

mat'l. code		tolerances unless otherwise specified		CUSTOMER COPY		FCI www.fciconnect.com	
ltr	ecm no	dr	date	linear	.XX ± 0.25	projection	title
K					.XXX ± 0.13	1st angle	STRADDLE MOUNT TYPE OF POWER EDGE CONNECTOR
				angles	Ø ± 2'	product family	pwr edge card
				dr	Benny Chen 01/14/04	size	dwg no
				engr	Benny Chen 01/14/04	scale	10034908
				chr	Paul Wang 01/14/04	sheet	2 of 2
				appd	David Su 07/26/04		
sheet index	revision sheet					code code	22526

PDM: Rev:K STATUS:Released Printed: Dec 03, 2010