

4

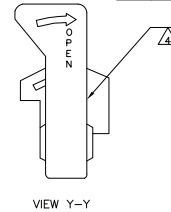
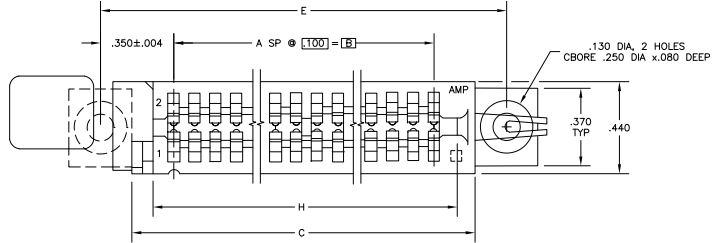
3

2

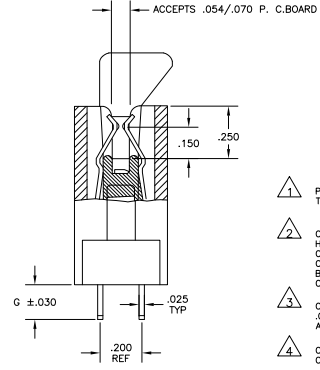
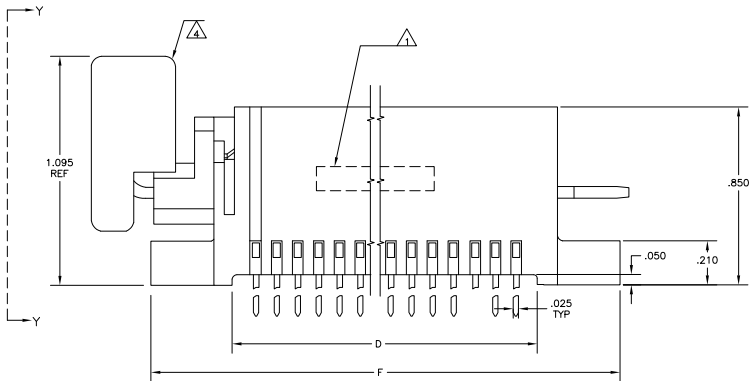
1

THIS DRAWING IS UNPUBLISHED. RELEASED FOR PUBLICATION. ALL RIGHTS RESERVED.

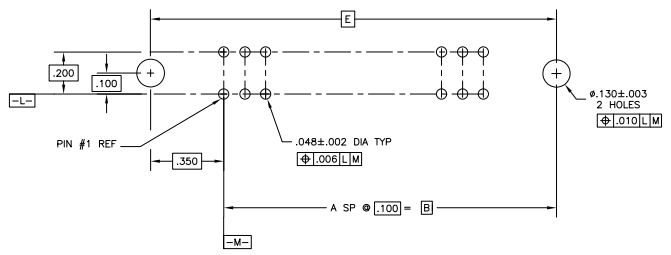
| LOC | | DST | | REVISIONS | | | |
|-----|-----|---------------------------|---------|-----------|------|--|--|
| P | LHR | DESCRIPTION | DATE | MIN | APVD | | |
| W2 | | REVISED PER ECO-11-004917 | 11MAR11 | RK | HMR | | |



VIEW Y-Y



- ▲ PART NUMBER AND DATE CODE STAMPED IN THIS AREA ON EITHER SIDE.
- ▲ CONTACT: COPPER ALLOY HOUSING: GLASS FILLED POLYESTER 94 VO, COLOR-BLACK CAM ROD: STAINLESS STEEL BOARD LOCK: GLASS FILLED POLYESTER 94 VO, COLOR-YELLOW
- ▲ CONTACT: .000050 MIN NICKEL ALL OVER, .000030 GOLD SELECTIVE PLATED IN CONTACT AREA TIN PLATED POST
- ▲ CAM ROD AND BOARD LOCK SHIPPED WITH EACH CONNECTOR. ROTATE IN DIRECTION OF ARROW TO OPEN.
- ▲ CONTACT: .000050 MIN NICKEL ALL OVER, .000030 GOLD SELECTIVE PLATED IN CONTACT AREA AND ON POST
- ▲ CONTACT: .000050 MIN NICKEL UNDERPLATE ALL OVER .000030 GOLD PLATE ALL OVER
- ▲ NON-STANDARD CAM ROD COMPONENT HAVING OVERALL LENGTH OF 7.385±.035
- ▲ CONTACT: .000050 MIN NICKEL ALL OVER, .000030 GOLD SELECTIVE PLATED IN CONTACT AREA MATTE TIN PLATED POST
- ▲ OBSOLETE PARTS: OBSOLETE CIS STREAMLINING PER D.RENAUD/D.SINISI



RECOMMENDED P.C. BOARD LAYOUT

| | | | |
|--|--|--------------------|-------------------------------|
| THIS DRAWING IS A CONTROLLED DOCUMENT. | | DRN L WAREHAM 5-88 | TE Connectivity |
| | | DRK D GORENC 5-88 | |
| DIMENSIONS: INCHES | | APRD D GORENC 5-88 | NAME |
| TOLERANCES UNLESS OTHERWISE SPECIFIED: | | PRODUCT SPEC | 108-9048 |
| 0 PLC ± .010 | | APPLICATION SPEC | SIZE CASE CODE DRAWING NO |
| 1 PLC ± .005 | | WEIGHT | A2 00779 C-531414 |
| 2 PLC ± .002 | | | RESTRICTED TO |
| 3 PLC ± .010 | | | — |
| 4 PLC ± .005 | | | CUSTOMER DRAWING |
| ANGLES | | | SCALE 3:1 SHEET 1 of 2 REV W2 |
| FINISH | | | |

4

3

2

1

THIS DRAWING IS UNPUBLISHED. RELEASED FOR PUBLICATION
 © COPYRIGHT - By - ALL RIGHTS RESERVED.

| LOC | DIST | REVISIONS | | | | | |
|-----|------|-----------|-----|-------------|------|----|------|
| AD | 00 | P | LTR | DESCRIPTION | DATE | BY | APPD |
| - | - | - | - | SEE SHEET 1 | - | - | - |

| | | | | | | | | | | |
|--------------|-------|------|-------|-------|-------|-------|-------|----|--------|-------------|
| △ 9 OBSOLETE | 4.300 | .378 | 5.100 | 4.800 | 4.300 | 4.500 | 4.100 | 41 | 42/84 | 6-531414-6 |
| △ 9 OBSOLETE | 3.700 | .378 | 4.500 | 4.200 | 3.700 | 3.900 | 3.500 | 35 | 36/72 | 6-531414-4 |
| △ 9 OBSOLETE | 2.600 | .378 | 3.400 | 3.100 | 2.600 | 2.800 | 2.400 | 24 | 25/50 | 6-531414-2 |
| △ 9 OBSOLETE | 6.600 | .580 | 7.400 | 7.100 | 6.600 | 6.800 | 6.400 | 64 | 65/130 | 6-531414-0 |
| △ 9 OBSOLETE | 6.100 | .580 | 6.900 | 6.600 | 6.100 | 6.300 | 5.900 | 59 | 60/120 | 5-531414-9 |
| △ 9 OBSOLETE | 4.100 | .580 | 4.900 | 4.600 | 4.100 | 4.300 | 3.900 | 39 | 40/80 | 5-531414-5 |
| △ 9 OBSOLETE | 3.700 | .580 | 4.500 | 4.200 | 3.700 | 3.900 | 3.500 | 35 | 36/72 | 5-531414-4 |
| △ 9 OBSOLETE | 4.100 | .580 | 4.900 | 4.600 | 4.100 | 4.300 | 3.900 | 39 | 40/80 | 2-531414-6 |
| △ 9 OBSOLETE | 5.100 | .378 | 5.900 | 5.600 | 5.100 | 5.300 | 4.900 | 49 | 50/100 | 2-531414-5 |
| △ 9 OBSOLETE | 5.100 | .580 | 5.900 | 5.600 | 5.100 | 5.300 | 4.900 | 49 | 50/100 | 2-531414-4 |
| △ 9 OBSOLETE | 3.700 | .580 | 4.500 | 4.200 | 3.700 | 3.900 | 3.500 | 35 | 36/72 | 2-531414-1 |
| OBSOLETE | 6.600 | .378 | 7.400 | 7.100 | 6.600 | 6.800 | 6.400 | 64 | 65/130 | 2-531414-0 |
| OBSOLETE | 6.100 | .378 | 6.900 | 6.600 | 6.100 | 6.300 | 5.900 | 59 | 60/120 | 1-531414-9 |
| OBSOLETE | 5.100 | .378 | 5.900 | 5.600 | 5.100 | 5.300 | 4.900 | 49 | 50/100 | 1-531414-8 |
| △ 9 OBSOLETE | 4.300 | .378 | 5.100 | 4.800 | 4.300 | 4.500 | 4.100 | 41 | 42/84 | 1-531414-6 |
| OBSOLETE | 4.100 | .378 | 4.900 | 4.600 | 4.100 | 4.300 | 3.900 | 39 | 40/80 | 1-531414-5 |
| △ 9 OBSOLETE | 3.700 | .378 | 4.500 | 4.200 | 3.700 | 3.900 | 3.500 | 35 | 36/72 | 1-531414-4 |
| OBSOLETE | 2.900 | .378 | 3.700 | 3.400 | 2.900 | 3.100 | 2.700 | 27 | 28/56 | 1-531414-3 |
| △ 9 OBSOLETE | 2.600 | .378 | 3.400 | 3.100 | 2.600 | 2.800 | 2.400 | 24 | 25/50 | 1-531414-2 |
| OBSOLETE | 2.300 | .378 | 3.100 | 2.800 | 2.300 | 2.500 | 2.100 | 21 | 22/44 | 1-531414-1 |
| △ 9 OBSOLETE | 6.600 | .580 | 7.400 | 7.100 | 6.600 | 6.800 | 6.400 | 64 | 65/130 | 1-531414-0 |
| OBSOLETE | 6.100 | .580 | 6.900 | 6.600 | 6.100 | 6.300 | 5.900 | 59 | 60/120 | 531414-9 |
| OBSOLETE | 5.100 | .580 | 5.900 | 5.600 | 5.100 | 5.300 | 4.900 | 49 | 50/100 | 531414-8 |
| OBSOLETE | 4.400 | .580 | 5.200 | 4.900 | 4.400 | 4.600 | 4.200 | 42 | 43/86 | 531414-7 |
| △ 9 OBSOLETE | 4.100 | .580 | 4.900 | 4.600 | 4.100 | 4.300 | 3.900 | 39 | 40/80 | 531414-5 |
| OBSOLETE | 3.700 | .580 | 4.500 | 4.200 | 3.700 | 3.900 | 3.500 | 35 | 36/72 | 531414-4 |
| OBSOLETE | 2.600 | .580 | 3.400 | 3.100 | 2.600 | 2.800 | 2.400 | 24 | 25/50 | 531414-2 |
| OBSOLETE | 2.300 | .580 | 3.100 | 2.800 | 2.300 | 2.500 | 2.100 | 21 | 22/44 | 531414-1 |
| | H | G | F | E | D | C | B | A | POSN | PART NUMBER |

THIS DRAWING IS A CONTROLLED DOCUMENT.

| | |
|---------------------------|----------------------------------|
| DESIGNER: L. WAREHAM 5-88 | DATE: 5-88 |
| CHK: D. GORENG 5-88 | |
| APPD: D. GORENG 5-88 | NAME: D. GORENG |
| PRODUCT SPEC: --- | APPLICATION SPEC: --- |
| WEIGHT: --- | SIZE: A2 |
| CAGE CODE: 00779 | DRAWING NO: C-531414 |
| CUSTOMER DRAWING | SCALE: 1:1 SHEET: 2 of 2 REV: W2 |

TE Connectivity
 ROTARY ZIF ASSEMBLY. 100 x.200, .100 X .200, .025 SQ POST
 OPEN ONE END

RESTRICTED TO: ---

531414

A