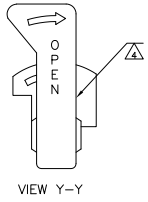
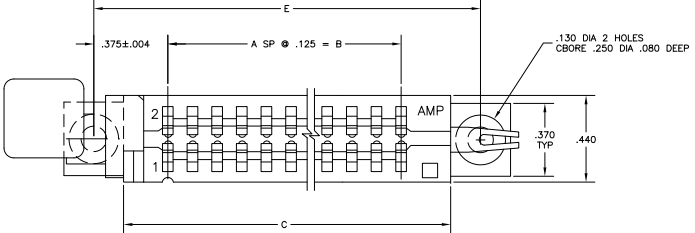
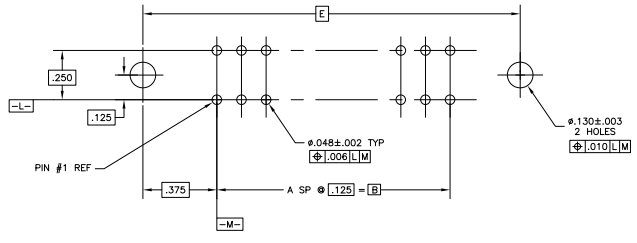
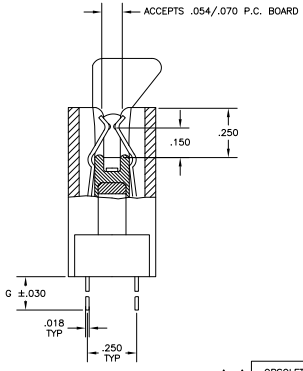
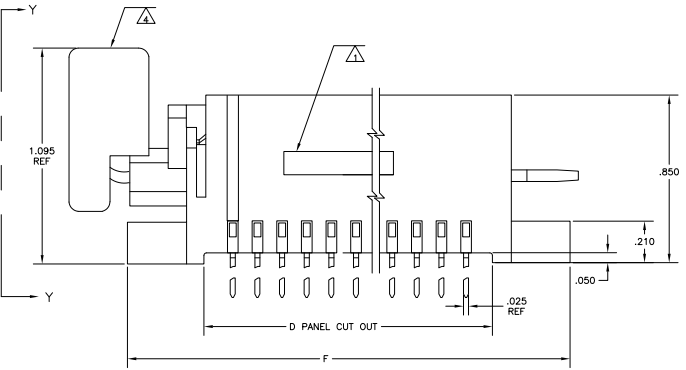


THIS DRAWING IS UNPUBLISHED
 © 2005 BY TYS ELECTRONICS CORPORATION. ALL RIGHTS RESERVED.

REV	DATE	DESCRIPTION	BY	CHK	APP
AD	00				
R	EC 023C 0190 05		12MMH05	BSV	MM
RT	REV PER ECO-09-021510		12AUG09	KK	AEG



- △ PART NUMBER AND DATE CODE STAMPED IN THIS AREA ON EITHER SIDE.
- △ CONTACT: COPPER ALLOY
 HOUSING: GLASS FILLED POLYSTER 94 V0
 COLOR-BLACK
 CAM ROD: STAINLESS STEEL
 BOARD LOCK: GLASS FILLED POLYSTER 94 V0
 COLOR-YELLOW
- △ CONTACT: .000050 MIN NICKEL ALL OVER
 .000030 GOLD SELECTIVE PLATED IN CONTACT
 AREA TIN PLATED POST
- △ CAM ROD AND BOARD LOCK SHIPPED WITH EACH CONNECTOR. ROTATE IN DIRECTION OF ARROW TO OPEN.
- △ ASSEMBLY DOES NOT INCLUDE CAM ROD & BOARD LOCK
- △ CONTACT: .000050 MIN NICKEL ALL OVER
 .000030 GOLD SELECTIVE PLATED IN CONTACT
 AREA MATTE TIN PLATED POST
- △ OBSOLETE PARTS: OBSOLETE CIS STREAMLINING PER D.RENAUD/D.SINISI



RECOMMENDED P.C. BOARD LAYOUT

△	OBSOLETE	.160	5.925	5.625	5.125	5.325	4.875	39	40/80	6-531024-4
△	OBSOLETE	.125	4.425	4.125	3.625	3.825	3.375	27	28/56	5-531024-3
△		.125	3.675	3.375	2.875	3.075	2.625	21	22/44	5-531024-2
△	OBSOLETE	.160	4.675	4.375	3.875	4.075	3.625	29	30/60	1-531024-7
△	OBSOLETE	.160	6.300	6.000	5.500	5.700	5.250	42	43/86	1-531024-5
△	OBSOLETE	.160	5.925	5.625	5.125	5.325	4.875	39	40/80	1-531024-4
△	OBSOLETE	.160	4.625	4.375	3.075	4.075	3.625	29	30/60	1-531024-2
△	OBSOLETE	.125	7.175	6.875	6.375	6.575	6.125	49	50/100	531024-8
△	OBSOLETE	.125	4.425	4.125	3.625	3.825	3.375	27	28/56	531024-3
△		.125	3.675	3.375	2.875	3.075	2.625	21	22/44	531024-2
△	OBSOLETE	.125	3.175	2.075	3.375	2.575	2.125	17	18/36	531024-1
G	F	E	D	C	B	A	POSITION	PART NO		

THIS DRAWING IS A CONTROLLED DOCUMENT.

DESIGNED BY	DATE	REVISED BY	DATE
DR		DR	
CHECKED BY	DATE	CHECKED BY	DATE
DR		DR	
APPROVED BY	DATE	APPROVED BY	DATE
DR		DR	

TYS Electronics Corporation
 Harrisburg, Pa 17105-3608
 ROTARY ZIF ASSEMBLY
 .125 X .250, SOLDER POST
 OPEN BOTH ENDS
 SIZE DATE SIZE DRAWING NO. PART NO. REV. DATE
 A1 00779 531024
 CUSTOMER DRAWING