

4

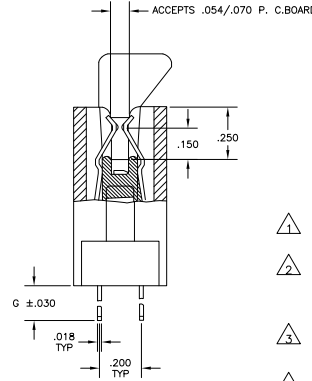
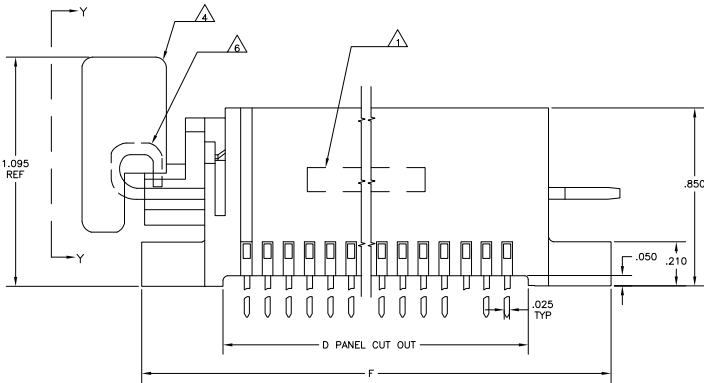
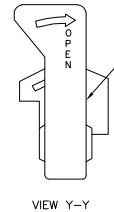
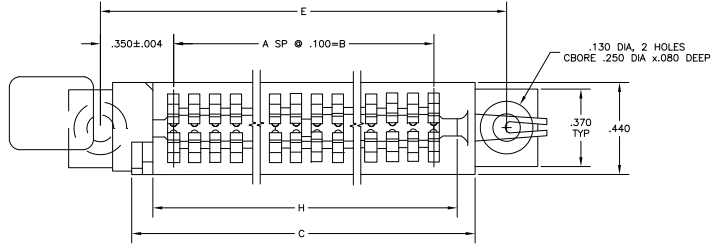
3

2

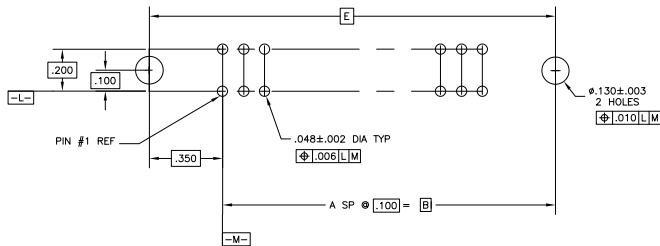
1

THIS DRAWING IS UNPUBLISHED. RELEASED FOR PUBLICATION. ALL RIGHTS RESERVED.

LOC		DST		REVISIONS			
P	LTR	DESCRIPTION	DATE	BY	APPD		
AD	00						
	AC2	REVISED PER ECO-11-004587	11MAR11	RK	HMR		



- ▲ PART NUMBER AND DATE CODE STAMPED IN THIS AREA ON EITHER SIDE.
- ▲ CONTACT: COPPER ALLOY  
HOUSING: GLASS FILLED POLYESTER 94 VO, COLOR-BLACK  
CAM ROD: STAINLESS STEEL  
BOARD LOCK: GLASS FILLED POLYESTER 94 VO, COLOR-YELLOW
- ▲ CONTACT: .000050 MIN NICKEL ALL OVER, .000030 GOLD SELECTIVE PLATED IN CONTACT AREA TIN PLATED POST
- ▲ CAM ROD AND BOARD LOCK SHIPPED WITH EACH CONNECTOR. ROTATE IN DIRECTION OF ARROW TO OPEN.
- ▲ ASSEMBLY DOES NOT INCLUDE CAM ROD OR BOARD LOCK.
- ▲ NUT DRIVER STYLE CAM ROD USED WITH PART NUMBER 3-531020-4 ONLY.
- ▲ CONTACT: .000050 MIN NICKEL ALL OVER, .000030 GOLD SELECTIVE PLATED IN CONTACT AREA, MATTE TIN PLATED POST
- ▲ OBSOLETE PARTS: OBSOLETE CIS STREAMLINING PER D.RENAUD/D.SINISI



RECOMENDED P.C. BOARD LAYOUT

THIS DRAWING IS A CONTROLLED DOCUMENT.		BY: L. WAREHAM 5-08	TE Connectivity
		CHK: D. GORENC 5-08	
DIMENSIONS: INCHES		APPD: D. GORENC 5-08	<b>TE</b> TE Connectivity ROTARY ZIF CONNECTOR .100 x.200, SOLDER POST OPEN ONE END
DIMENSIONS: INCHES 0 PLC ± . - 1 PLC ± . - 2 PLC ± . - 3 PLC ± .210 4 PLC ± . - ANGLES ± . - FINISH -		NAME: D. GORENC PRODUCT SPEC: APPLICATION SPEC: WEIGHT: -	
MATERIAL: -		SIZE: A2	CAGE CODE: 00779 DRAWING NO: C-531020 RESTRICTED TO: - CUSTOMER DRAWING SCALE: 3:1 SHEET: 1 of 2 REV: AC2

4

3

2

1

THIS DRAWING IS UNPUBLISHED. RELEASED FOR PUBLICATION  
 © COPYRIGHT - By - ALL RIGHTS RESERVED.

LOC	DIST	REVISIONS					
AD	00	P	LR	DESCRIPTION	DATE	BY	APPD
		-	-	SEE SHEET 1	-	-	-

4.400	.125	5.200	4.900	4.400	4.600	4.200	42	43/86	8-531020-3	OBSOLETE	△		
3.700	.125	4.500	4.200	3.700	3.900	3.500	35	36/72	8-531020-2	OBSOLETE	△		
6.600	0.160	7.400	7.100	6.600	6.800	6.400	64	65/160	8-531020-0	OBSOLETE	△		
5.100	0.160	5.900	5.600	5.100	5.300	4.900	49	50/100	7-531020-9	OBSOLETE	△		
4.400	0.160	5.200	4.900	4.400	4.600	4.200	42	43/86	7-531020-8	OBSOLETE	△		
2.900	0.160	3.700	3.400	2.900	3.100	2.700	27	28/56	7-531020-7	OBSOLETE	△		
3.200	0.160	4.000	3.700	3.200	3.400	3.000	30	31/62	7-531020-1	OBSOLETE	△		
6.600	0.160	7.400	7.100	6.600	6.800	6.400	64	65/130	7-531020-0	OBSOLETE	△		
6.100	0.160	6.900	6.600	6.100	6.300	5.900	59	60/120	6-531020-9	OBSOLETE	△		
5.100	0.160	5.900	5.600	5.100	5.300	4.900	49	50/100	6-531020-8	OBSOLETE	△		
4.400	0.160	5.200	4.900	4.400	4.600	4.200	42	43/86	6-531020-7	OBSOLETE	△		
4.100	0.160	4.900	4.600	4.100	4.300	3.900	39	40/80	6-531020-5	OBSOLETE	△		
3.700	0.160	4.500	4.200	3.700	3.900	3.500	35	36/72	6-531020-4	OBSOLETE	△		
2.900	0.160	3.700	3.400	2.900	3.100	2.700	27	28/56	6-531020-3	OBSOLETE	△		
2.600	0.160	3.400	3.100	2.600	2.800	2.400	24	25/50	6-531020-2	OBSOLETE	△		
2.300	0.160	3.100	2.800	2.300	2.500	2.100	21	22/44	6-531020-1	OBSOLETE	△		
6.600	.125	7.400	7.100	6.600	6.800	6.400	64	65/130	6-531020-0	OBSOLETE	△		
5.100	.125	5.900	5.600	5.100	5.300	4.900	49	50/100	5-531020-8	OBSOLETE	△		
4.100	.125	4.900	4.600	4.100	4.300	3.900	39	40/80	5-531020-5	OBSOLETE	△		
2.600	.125	3.400	3.100	2.600	2.800	2.400	24	25/50	5-531020-2	OBSOLETE	△		
2.300	.125	3.100	2.800	2.300	2.500	2.100	21	22/44	5-531020-1	OBSOLETE	△		
				H	G	F	E	D	C	B	A	POSN	PART NUMBER

4.100	.125	4.900	4.600	4.100	4.300	3.900	39	40/80	3-531020-4				
4.400	.125	5.200	4.900	4.400	4.600	4.200	42	43/86	3-531020-3				
OBSOLETE	3.700	.125	4.500	4.200	3.700	3.900	3.500	35	36/72	3-531020-2			
OBSOLETE	5.100	.125	5.900	5.600	5.100	5.300	4.900	49	50/100	3-531020-1			
6.600	0.160	7.400	7.100	6.600	6.800	6.400	64	65/160	3-531020-0				
5.100	0.160	5.900	5.600	5.100	5.300	4.900	49	50/100	2-531020-9				
4.400	0.160	5.200	4.900	4.400	4.600	4.200	42	43/86	2-531020-8				
2.900	0.160	3.700	3.400	2.900	3.100	2.700	27	28/56	2-531020-7				
3.200	0.160	4.000	3.700	3.200	3.400	3.000	30	31/62	2-531020-1				
6.600	0.160	7.400	7.100	6.600	6.800	6.400	64	65/130	2-531020-0				
OBSOLETE	6.100	0.160	6.900	6.600	6.100	6.300	5.900	59	60/120	1-531020-9			
OBSOLETE	5.100	0.160	5.900	5.600	5.100	5.300	4.900	49	50/100	1-531020-8			
OBSOLETE	4.400	0.160	5.200	4.900	4.400	4.600	4.200	42	43/86	1-531020-7			
OBSOLETE	4.300	0.160	5.100	4.800	4.300	4.500	4.100	41	42/84	1-531020-6			
OBSOLETE	4.100	0.160	4.900	4.600	4.100	4.300	3.900	39	40/80	1-531020-5			
OBSOLETE	3.700	0.160	4.500	4.200	3.700	3.900	3.500	35	36/72	1-531020-4			
OBSOLETE	2.900	0.160	3.700	3.400	2.900	3.100	2.700	27	28/56	1-531020-3			
OBSOLETE	2.600	0.160	3.400	3.100	2.600	2.800	2.400	24	25/50	1-531020-2			
OBSOLETE	2.300	0.160	3.100	2.800	2.300	2.500	2.100	21	22/44	1-531020-1			
OBSOLETE	6.600	.125	7.400	7.100	6.600	6.800	6.400	64	65/130	1-531020-0			
OBSOLETE	6.100	.125	6.900	6.600	6.100	6.300	5.900	59	60/120	531020-9			
OBSOLETE	5.100	.125	5.900	5.600	5.100	5.300	4.900	49	50/100	531020-8			
OBSOLETE	4.400	.125	5.200	4.900	4.400	4.600	4.200	42	43/86	531020-7			
OBSOLETE	4.300	.125	5.100	4.800	4.300	4.500	4.100	41	42/84	531020-6			
OBSOLETE	4.100	.125	4.900	4.600	4.100	4.300	3.900	39	40/80	531020-5			
OBSOLETE	3.700	.125	4.500	4.200	3.700	3.900	3.500	35	36/72	531020-4			
OBSOLETE	2.900	.125	3.700	3.400	2.900	3.100	2.700	27	28/56	531020-3			
OBSOLETE	2.600	.125	3.400	3.100	2.600	2.800	2.400	24	25/50	531020-2			
OBSOLETE	2.300	.125	3.100	2.800	2.300	2.500	2.100	21	22/44	531020-1			
				H	G	F	E	D	C	B	A	POSN	PART NUMBER

THIS DRAWING IS A CONTROLLED DOCUMENT.

DIMENSIONS: INCHES	PLACEMENT DIMENSIONS (OTHERWISE SPECIFIED)	DATE: 5-08	BY: L. WAREHAM
MATERIAL: -	FINISH: -	DATE: 5-08	BY: D. GORENC
APPLICATION SPEC: -		DATE: 5-08	BY: D. GORENC
WEIGHT: -		PRODUCT SPEC: -	
CUSTOMER DRAWING		SIZE: A2	CAGE CODE: 00779
		DRAWING NO: C-531020	RESTRICTED TO: -
		SCALE: 1:1	SHEET: 2 of 2

TE Connectivity  
 ROTARY ZIF CONNECTOR .100 x.200,  
 SOLDER POST OPEN ONE END

D

C

B

A