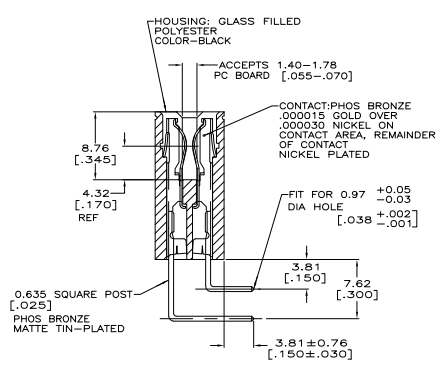


PCB FOOT PRINT DETAIL



30	5530218-6
NO OF POSITIONS	PART NUMBER

THIS DRAWING IS A CONTROLLED DOCUMENT.		DATE: 19 AUG 95	REV: 00	BY: AW	CHK: AM	APP: AW
DESIGNER: [ ]	ENGINEER: [ ]	DATE: 19 AUG 95	REV: 00	BY: AW	CHK: AM	APP: AW
NO. OF POSITIONS: 30	PART NUMBER: 5530218-6	CONNECTOR ASSEMBLY, TWIN LEAF WITH .025 SQ POST, RIGHT ANGLE .150 CENTERS				
SEE CALLOUT	SEE CALLOUT	CUSTOMER DRAWING	DATE: 4-1	REV: 1	APP: A	