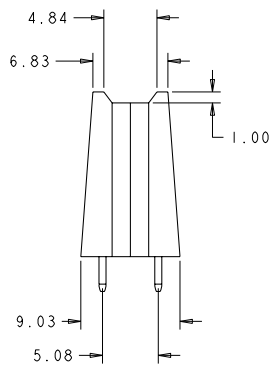
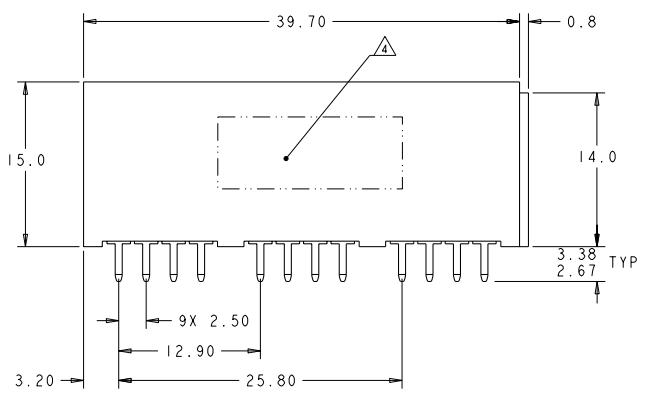
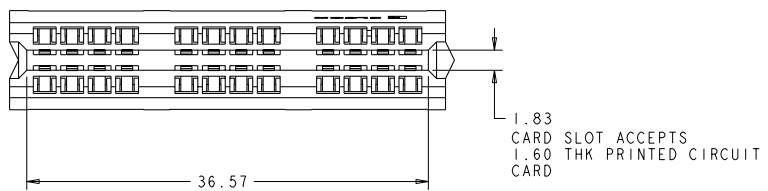


REV	DATE	BY	APP'D
A	14JAN2010	RG	MS



- △ DATUMS AND BASIC DIMENSIONS ESTABLISHED BY CUSTOMER
- △ MATERIAL: INSULATORS - THERMOPLASTIC, GLASS REINFORCED, COLOR: BLACK
UL 94V-0 FLAMMABILITY RATED.
SIGNAL CONTACTS - PHOSPHOR BRONZE ALLOY
- △ FINISH: CONTACTS - GOLD PLATE 0.76µM MIN. THK. OVER
NICKEL 1.27µM MIN. THK.
SOLDER TAILS - TIN 3.05µM MIN. THK. OVER
NICKEL 1.27µM MIN THK.

△ ITEMS PROVIDED TO THIS SPECIFICATION TO BE PERMANENTLY IDENTIFIED PER THE FOLLOWING IDENTIFIER LABEL

TYCO ELECTRONICS P/N DATE CODE (e.g. 0106)
 XXXXXXXX-X XXXX

AS SHOWN	6651214-1
DESCRIPTION	PART NUMBER

DIMENSIONS: mm 0 PLC ±.1 1 PLC ±.5 2 PLC ±.25 3 PLC ±.25 4 PLC ±.1 ANGLES ±.5	TO: GRZYBOWSKI M. SYKES M. PERCHERRE	29DEC2009 29DEC2009 29DEC2009	Tyco Electronics Harrisburg, PA 17105-3608
MATERIAL: △ - △ 3 - △		WEIGHT: - FINISH: -	NAME: SOCKET CONNECTOR ASSEMBLY, STRAIGHT 3 SEG, 20 SIGNAL, SOLDER TAIL CROWNEDGE
CUSTOMER DRAWING		SHEET: A200779 CASE CODE: C-6651214	RESTRICTED TO: - SCALE: 4:1 SHEET 1 OF 3 REV A

4

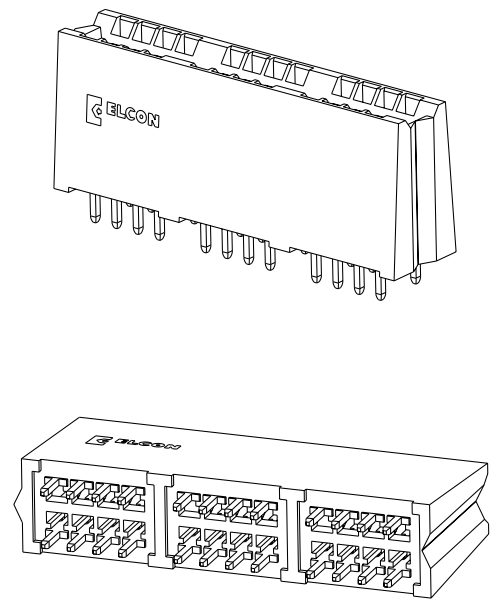
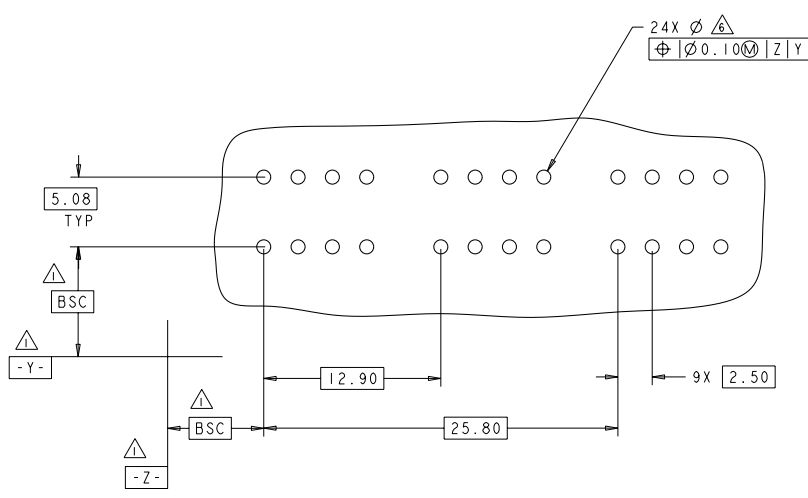
3

2

1

THIS DRAWING IS UNPUBLISHED. RELEASED FOR PUBLICATION BY TYCO ELECTRONICS CORPORATION. ALL RIGHTS RESERVED. COPYRIGHT 20

LOC	DIST	REVISIONS			
P	LYA	DESCRIPTION	DATE	BY	APPR
GP	00	- SEE SHEET 1	-	-	-



RECOMMENDED P.C. BOARD LAYOUT

<small>THIS DRAWING IS UNPUBLISHED. RELEASED FOR PUBLICATION BY TYCO ELECTRONICS CORPORATION. ALL RIGHTS RESERVED. COPYRIGHT 20</small>		DWG: 29DEC2009 R. GRZYBOWSKI CHK: M. SYKES 29DEC2009 APP'D: M. PERCHERRE 29DEC2009	Tyco Electronics Harrisburg, PA 17105-3608
DIMENSIONS: mm 	TOLERANCES UNLESS OTHERWISE SPECIFIED: 0 PLC ±.5 1 PLC ±.5 2 PLC ±.25 3 PLC ±.25 4 PLC ±.25 ANGLES ±.5	NAME: SOCKET CONNECTOR ASSEMBLY, STRAIGHT 3 SEG, 20 SIGNAL, SOLDER TAIL CROWNEDGE PRODUCT SPEC: APPLICATION SPEC: WEIGHT: MATERIAL: FINISH:	SIZE: A2 CASE CODE: 00779 DRAWING NO: 6651214 RESTRICTED TO:
CUSTOMER DRAWING		SCALE: 4:1	SHEET 2 OF 3 REV A

AMP 1471-B REV 3/04/2000

4

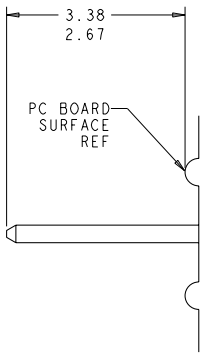
3

2

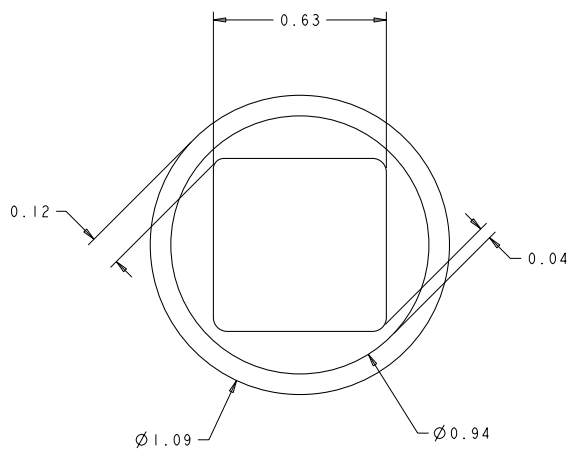
1

THIS DRAWING IS UNPUBLISHED. RELEASED FOR PUBLICATION BY TYCO ELECTRONICS CORPORATION. ALL RIGHTS RESERVED. COPYRIGHT 20

REV	DATE	BY	APPROV
1			
2			
3			
4			
5			
6			
7			
8			
9			
10			



5. SOLDER TAIL DETAIL SCALE 10 : 1



6. SOLDER TERMINATION AREA
 SCALE 40 : 1
 RECOMMENDED PRINTED CIRCUIT HOLE
 SOLDER HOLE
 FINISHED HOLE: $\varnothing 1.02 \pm .08$
 DRILLED HOLE: $\varnothing 1.15 \pm .013$
 COPPER PLATE: .025 MIN. (PER SURFACE)
 TIN PLATE: .008 MIN. (PER SURFACE)

DIMENSIONS: mm		TO MANUFACTURE TO THE DIMENSIONS SHOWN UNLESS OTHERWISE SPECIFIED FOR THE LOCAL REVISED.		DWG R. GRZYBOWSKI 29DEC2009	Tyco Electronics Harrisburg, PA 17105-3608
DIMENSIONS: mm		TO MANUFACTURE TO THE DIMENSIONS SHOWN UNLESS OTHERWISE SPECIFIED FOR THE LOCAL REVISED.		CHK M. SYKES 29DEC2009	Tyco Electronics Harrisburg, PA 17105-3608
DIMENSIONS: mm		TO MANUFACTURE TO THE DIMENSIONS SHOWN UNLESS OTHERWISE SPECIFIED FOR THE LOCAL REVISED.		APP'D M. PERCHERRE 29DEC2009	
DIMENSIONS: mm		TO MANUFACTURE TO THE DIMENSIONS SHOWN UNLESS OTHERWISE SPECIFIED FOR THE LOCAL REVISED.		PRODUCT SPEC APPLICATION SPEC	NAME SOCKET CONNECTOR ASSEMBLY, STRAIGHT 3 SEG, 20 SIGNAL, SOLDER TAIL CROWNEDGE
MATERIAL FINISH		WEIGHT FINISH		SHEET A200779	DRAWING NO C-6651214
MATERIAL FINISH		WEIGHT FINISH		CUSTOMER DRAWING	RESTRICTED TO SCALE 4:1 SHEET 3 OF 3 REV A