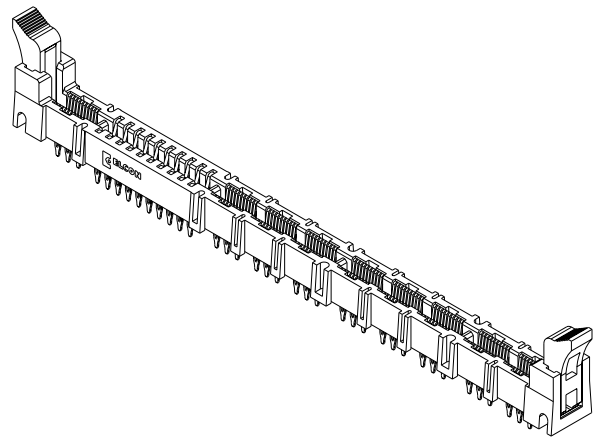


DATE SHOWN TO MANUFACTURE: 19 JAN 2009  
 RECEIVED FOR FABRICATION: 19 JAN 2009  
 BY TYCO ELECTRONICS COMPANY. ALL RIGHTS RESERVED.

REV ISION S		DATE	BY	APP
E	REV PER ECO-08-032072	19JAN09	CR	PD



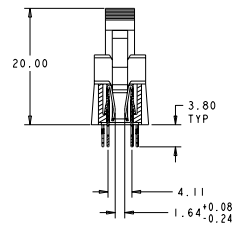
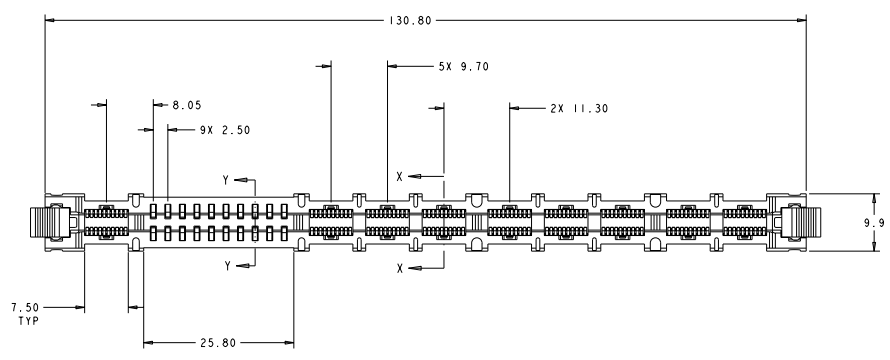
1. PART NUMBER CHANGES AND OR DESIGN CHANGES AFFECTING ITEM INTERCHANGEABILITY REQUIRE PRIOR TYCO ELECTRONICS APPROVAL AND AUTHORIZATION BY REVISION TO THIS DRAWING.
  2. MATERIAL:  
 INSULATORS: THERMOPLASTIC, GLASS REINFORCED  
 UL94V-0 FLAMMABILITY RATED.  
 CONTACTS: COPPER ALLOY
  3. FINISHES:  
 CONTACT PLATING: SELECTIVE GOLD: 0.76µm MIN THK  
 OVER NICKEL: 1.27µm MIN THK  
 PCB TERMINATION: TIN PLATED, MATTE FINISH: 1.78µm MIN THK  
 OVER NICKEL: 1.27µm MIN THK
  4. CONNECTOR ACCEPTS 2.36±0.13 THK PCB.
- ⚠ KEEP OUT AREA FOR COMPONENTS ONLY.
- ⚠ FEATURE REQUIRED FOR USE WITH LATCH.
- ⚠ CAUTION:  
 LATCHES ARE INTENDED FOR RETENTION OF PC BOARD TO CONNECTOR. DO NOT ATTEMPT TO FULLY EJECT PC BOARD FROM CONNECTOR WHILE DISENGAGING LATCHES, DAMAGE TO LATCHES AND OR CONNECTOR MAY OCCUR.
- ⚠ RECOMMENDED GOLD FINGER LENGTH FOR RELIABLE CONTACT.
9. A REFERENCE DIMENSION (X.XX) IS WITHOUT TOLERANCE AND USED FOR INFORMATION PURPOSE ONLY.
  10. ITEMS PROVIDED TO THIS SPECIFICATION TO BE PERMANENTLY IDENTIFIED PER THE FOLLOWING IDENTIFIER:
 

TYCO ELECTRONICS PN	DATE CODE (e.g. 0425)
XXXXXX-X	YEAR WEEK XXXX
  11. REFERENCE TYCO ELECTRONICS PN 1766443-1
- ⚠ RECOMMENDED PRINTED CIRCUIT HOLE:  
 FINISHED HOLE: Ø1.02±0.08  
 DRILLED HOLE: Ø1.15±0.013  
 COPPER PLATE: 0.025 MINIMUM (PER SURFACE)  
 TIN PLATE: 0.008 MINIMUM (PER SURFACE)

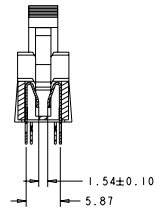
DATE SHOWN TO MANUFACTURE: 19 JAN 2009 RECEIVED FOR FABRICATION: 19 JAN 2009 BY TYCO ELECTRONICS COMPANY. ALL RIGHTS RESERVED.		19 JAN 2009 Tyco Electronics Harrisburg, PA 17105-3600	
DRAWING NO: 00779 REV: A TITLE: MC-PS10 MINI CROWNEDGE SOCKET CONNECTOR, COMPLIANT TAIL	PART NO: 1766443-1 REV: A TITLE: MC-PS10 MINI CROWNEDGE SOCKET CONNECTOR, COMPLIANT TAIL	STATE: PA COUNTY: YORK CITY: HARRISBURG	ZIP: 17105-3600 PHONE: 717-530-1000 FAX: 717-530-1001 E-MAIL: SALES@TYCOELECTRONICS.COM
CUSTOMER DRAWING		PAGE 3 OF 4	

19 JAN 2009 BY 31002009  
 Pre-ENGINEER DRAWING

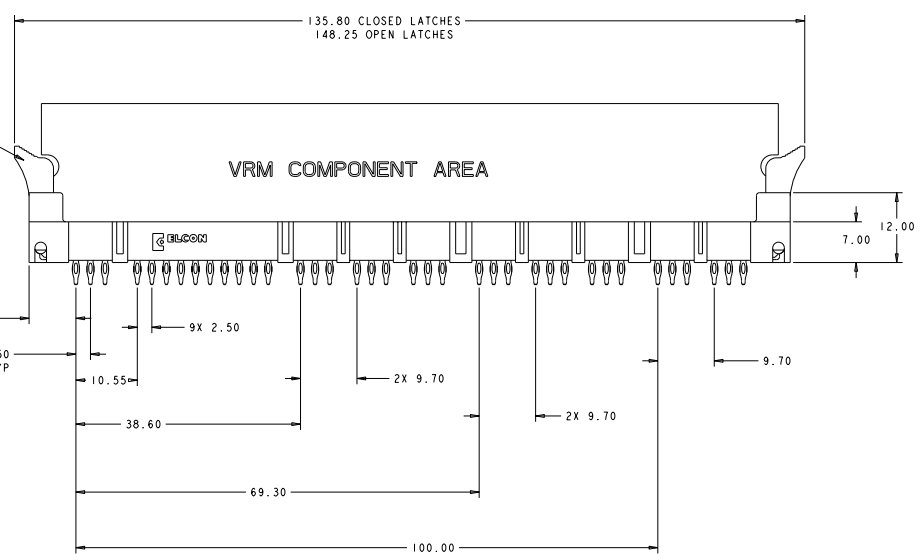
REVISED		REVISIONS			
NO.	DATE	DESCRIPTION	BY	CHK	APP
-	-	SEE SHEET 1	-	-	-



SECTION X-X  
 ROTATED 90° CW



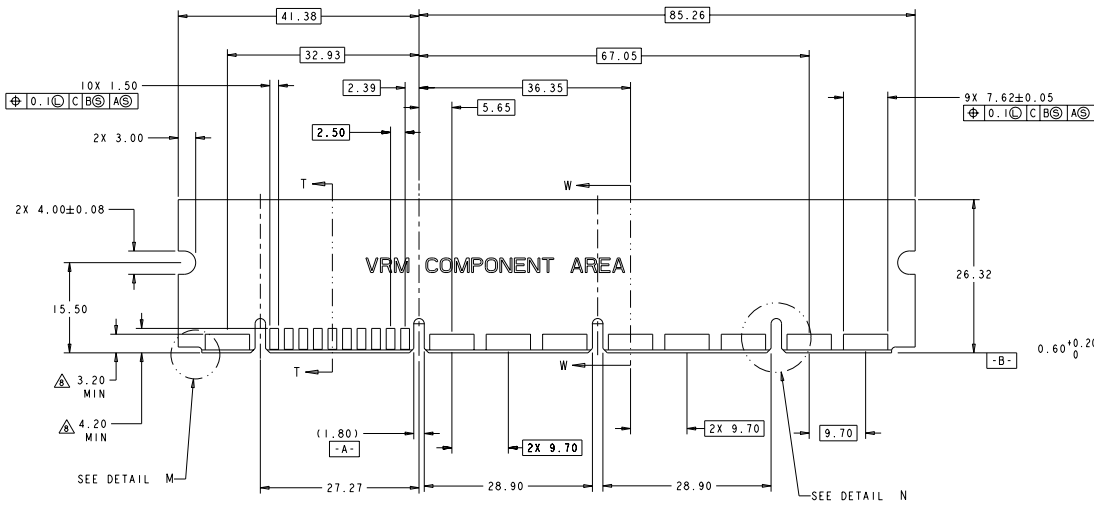
SECTION Y-Y  
 ROTATED 90° CW



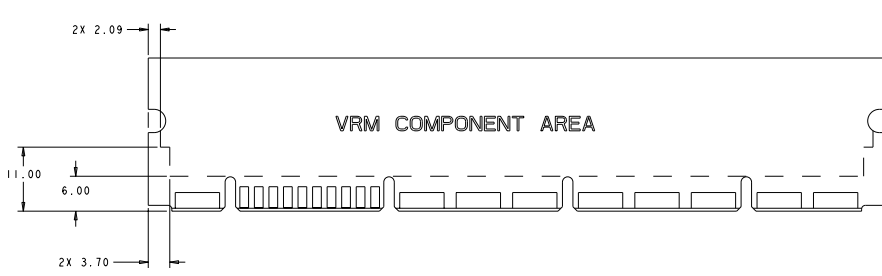
DATE: 19 JAN 2009 DRAWN BY: [Signature] CHECKED BY: [Signature] TITLE: CUSTOMER DRAWING		DATE: 19 JAN 2009 DRAWN BY: [Signature] CHECKED BY: [Signature] TITLE: CUSTOMER DRAWING		DATE: 19 JAN 2009 DRAWN BY: [Signature] CHECKED BY: [Signature] TITLE: CUSTOMER DRAWING	
TITLE: MC-PS10 MINI CROWNEDGE SOCKET CONNECTOR, COMPLIANT TAIL			STATE: CA CAGE CODE: 00779 PART NUMBER: 1166443		
SCALE: 3:1			SHEET: 2 OF 4		

DATE REVISIONS TO IMPROVEMENTS  
 BY THIS ELECTRONICS CORPORATION. ALL RIGHTS RESERVED.

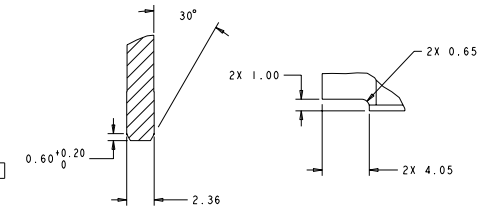
REV	DATE	DESCRIPTION	BY	CHK	APP
1		SEE SHEET 1			



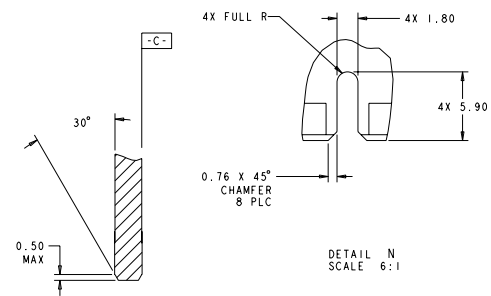
RECOMMENDED MATING BOARD



RECOMMENDED PCB KEEP OUT AREA



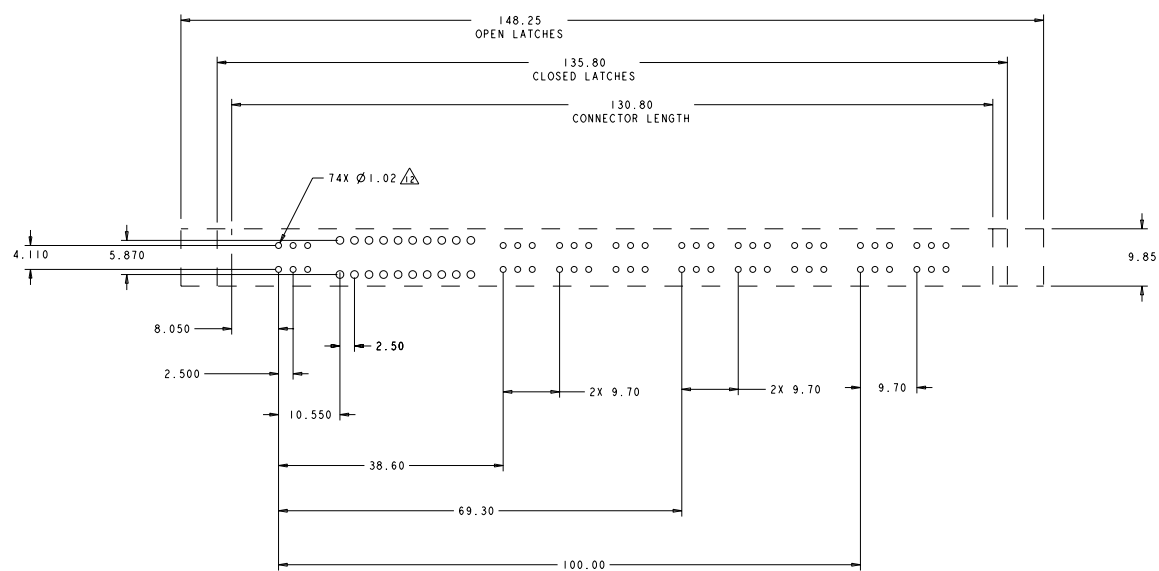
SECTION T-T  
SCALE 6:1



SECTION W-W  
SCALE 6:1

DATE: 19 JAN 2009 DRAWN BY: [Signature] CHECKED BY: [Signature] TITLE: MC-PS10 MINI CROWNEDGE SOCKET CONNECTOR, COMPLIANT TAIL PART NO: 00779-1166443 CUSTOMER DRAWING: YES	DATE: 19 JAN 2009 DRAWN BY: [Signature] CHECKED BY: [Signature] TITLE: MC-PS10 MINI CROWNEDGE SOCKET CONNECTOR, COMPLIANT TAIL PART NO: 00779-1166443 CUSTOMER DRAWING: YES	DATE: 19 JAN 2009 DRAWN BY: [Signature] CHECKED BY: [Signature] TITLE: MC-PS10 MINI CROWNEDGE SOCKET CONNECTOR, COMPLIANT TAIL PART NO: 00779-1166443 CUSTOMER DRAWING: YES	DATE: 19 JAN 2009 DRAWN BY: [Signature] CHECKED BY: [Signature] TITLE: MC-PS10 MINI CROWNEDGE SOCKET CONNECTOR, COMPLIANT TAIL PART NO: 00779-1166443 CUSTOMER DRAWING: YES
--	--	--	--

REV	DATE	REVISIONS	BY	CHK	APP
1		SEE SHEET 1			



RECOMMENDED PCB LAYOUT

DATE SHOWN TO MANUFACTURE: 19 JAN 2009 REVISIONS FOR PUBLICATION: 24		DATE: 19 JAN 2009 DRAWN BY: J. B. BUCHHEIT CHECKED BY: J. B. BUCHHEIT		TAYLOR ELECTRONICS HARRISBURG, PA 17105-3600	
PART NUMBER: MC-PS10		TITLE: MC-PS10 MINI CROWNEDGE SOCKET CONNECTOR, COMPLIANT TAIL		SIZE: CASE CODE: DRAWING NO: 00779 ©-1166443	
MATERIAL:		FINISH:		CUSTOMER DRAWING:	