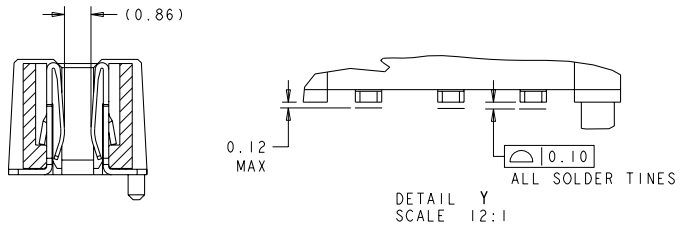


LOC	DIST	REVISIONS			
P	LYA	DESCRIPTION	DATE	BY	APPROV
C	REV PER ECO-08-028530		30JAN2009	RG	PD

- PART NUMBER CHANGES AND/OR DESIGN CHANGES AFFECTING ITEM INTERCHANGEABILITY REQUIRE PRIOR TYCO ELECTRONICS APPROVAL AND AUTHORIZATION BY REVISION TO THIS DRAWING.
- MATERIAL:
 - INSULATORS - THERMOPLASTIC, GLASS REINFORCED, COLOR: BLACK UL94V-0 FLAMMABILITY RATED
 - CONTACT - COPPER ALLOY
- FINISH:
 - CONTACT - GOLD PLATE 0.76µm MIN THK. OVER NICKEL 1.27µm MIN THK.
 - SOLDER PADS - TIN PLATE 3.05 - 3.81µm THK. OVER NICKEL 1.27µm MIN THK.
- ITEMS PROVIDED TO THIS SPECIFICATION TO BE PERMANENTLY IDENTIFIED PER THE FOLLOWING IDENTIFIER:

YEAR	WEEK
TYCO ELECTRONICS P/N	DATE CODE (e.g. 0325)
XXXXXX-X	XXXX
- THIS CONNECTOR MATES WITH BLADE CONNECTOR P/N 6651711-1 AND 1926785-1



W/VACUUM CAP	6651712-2
INDIVIDUAL	6651712-1
DESCRIPTION	PART NO.

DIMENSIONS: mm 0 PLC ±.5 1 PLC ±.5 2 PLC ±.25 3 PLC ±.25 4 PLC ±.25 ANGLES ±.2 MATERIAL / FINISH CUSTOMER DRAWING		DWN 30JAN2009 HAZGRZYBOWSKI P. DAMATO CHAU PERCHERRE 30JAN2009 NAME TITLE CASE CODE DRAWING NO A200779 ©=6651712 SCALE 6:1 SHEET 1 OF 2 REV C	Tyco Electronics Harrisburg, PA 17105-3608 SOCKET CONNECTOR ASSEMBLY SURFACE MOUNT MC-PSS0, MINI CROWN EDGE RESTRICTED TO
---	--	--	--

4

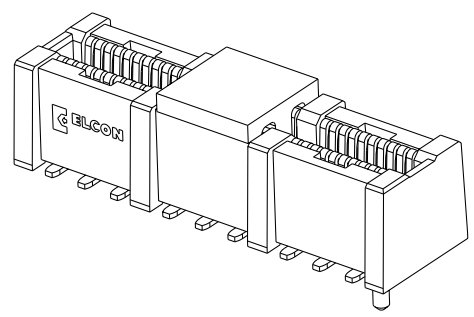
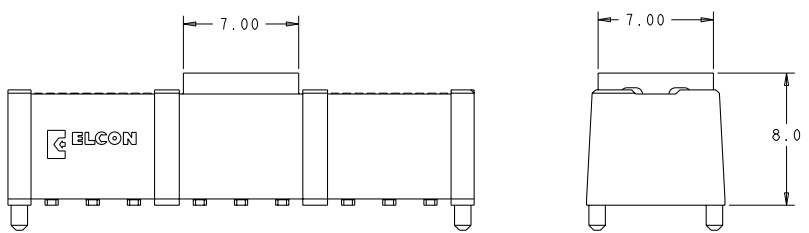
3

2

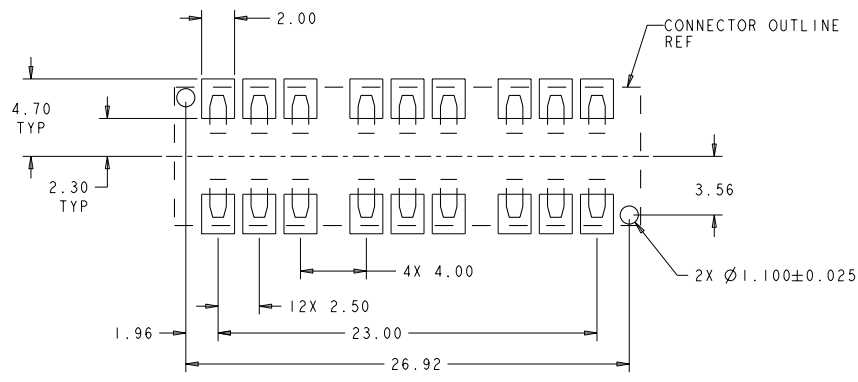
1

THIS DRAWING IS UNPUBLISHED. RELEASED FOR PUBLICATION BY TYCO ELECTRONICS CORPORATION. ALL RIGHTS RESERVED. COPYRIGHT 20

LOC	DIST	REVISIONS			
P	LYR	DESCRIPTION	DATE	BY	APPR
-	-	SEE SHEET 1	-	-	-



P/N 6651712-2
 W/ VACUUM CAP
 READY FOR TAPE AND REEL



SOLDER LAND GUIDELINES
 SOCKET CONNECTOR

<small>TOP DRAWING IS CONTROL DRAWING FOR THE CUSTOMER'S INFORMATION. ALL DIMENSIONS ARE IN MILLIMETERS UNLESS OTHERWISE SPECIFIED.</small>		DWN 30 JAN 2009 HAZGRZBROSKI CDR P. DAMATO APD CHAU PERCHERRE	Tyco Electronics Harrisburg, PA 17105-3608
DIMENSIONS: mm 	TOLERANCES UNLESS OTHERWISE SPECIFIED: 0 PLC ±.5 1 PLC ±.5 2 PLC ±.25 3 PLC ±.25 4 PLC ±.25 ANGLES ±.2	NAME SOCKET CONNECTOR ASSEMBLY SURFACE MOUNT MC-PSS0, MINI CROWN EDGE	SHEET CASE CODE DRAWING NO A200779 ©-6651712
MATERIAL	FINISH	WEIGHT	RESTRICTED TO
-	-	-	-
CUSTOMER DRAWING		SCALE 6:1	SHEET 2 OF 2 REV C