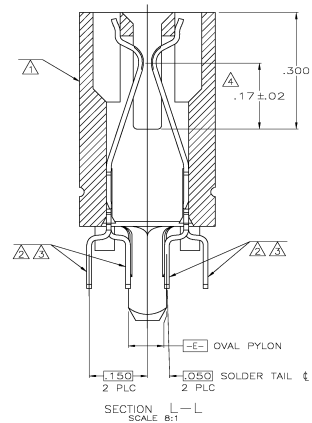
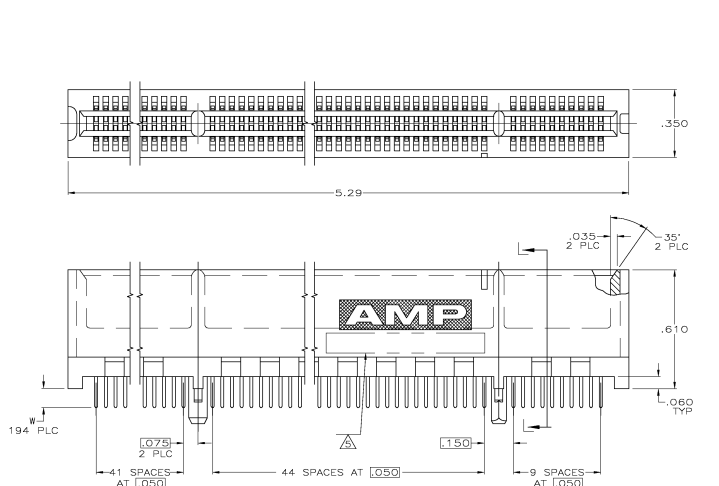
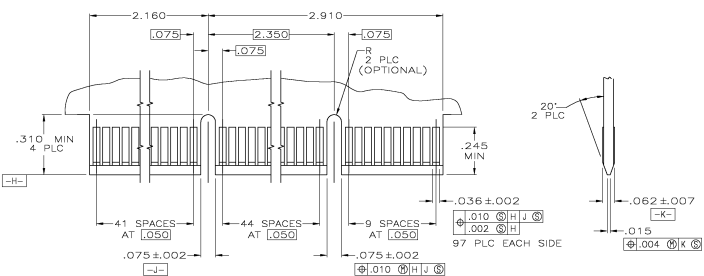
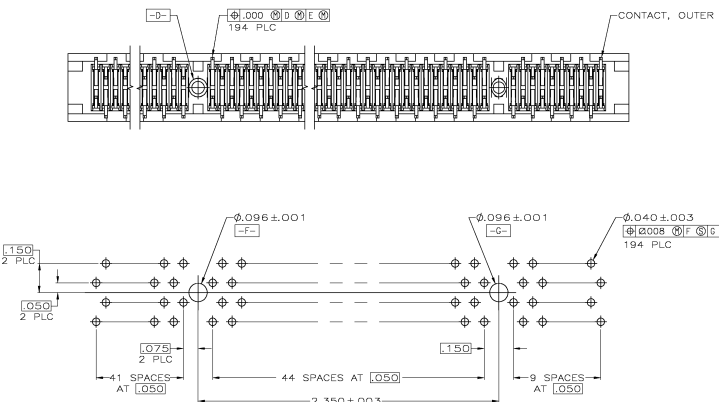


REV	DATE	DESCRIPTION	BY	CHK	APP
GP 00					
G		OBSOLETE -1 PER EC Q512-0554-04	CS	MAF	AWF/AMF



- △ HOUSING: HIGH TEMPERATURE THERMOPLASTIC, COLOR: BROWN.
- △ CONTACT: PHOSPHOR BRONZE.
- △ CONTACT FINISH: .000100 MIN NICKEL ALL OVER, .000030 MIN GOLD OVER NICKEL IN CONTACT AREA, .000100 MIN TIN-LEAD OVER NICKEL ON SOLDER TAILS.
- △ DISTANCE FROM CONTACT POINT TO BOTTOM OF CARD SLOT.
- △ AMP PART NUMBER, DATE CODE AND CSA LOGO MARKED IN APPROXIMATE AREA SHOWN.



RECOMMENDED MATING BOARD EDGE CONFIGURATION

OBSOLETE	1.25	650706-3
	1.14	650706-2
OBSOLETE	1.50	650706-1
		PART NUMBER

THIS DRAWING IS A CONTROLLED DOCUMENT.		EC CLASSIFICATION: 17/2/1 DATE: 11/21/11 BY: JG/BS/SS		Amphenol Tyco Electronics Corporation Harrisburg, PA 17105-3608	
DIMENSIONS: mm UNLESS OTHERWISE SPECIFIED DECIMALS: 1/100 FRACTIONS: 1/16 ANGLES: 1/16 TOLERANCES: AS SHOWN	PROJECT SIZE: 108-14034 WORKING SIZE: 114-26012 WEIGHT:	SEE DATE CODE MARKING NO: A100779 CUSTOMER DRAWING:	CONNCTOR ASSEMBLY, 97 DUAL POSITION, .050 SERIES, STANDARD EDGE RESTRICTED TO:	DATE: 11/21/11 DRAWN BY: JG/BS/SS CHECKED BY: JG/BS/SS APPROVED BY: JG/BS/SS	PART NUMBER: 650706-3 REV: G