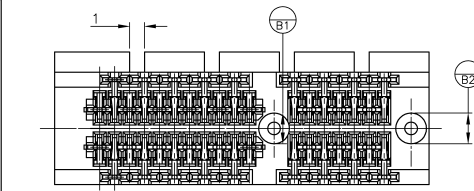
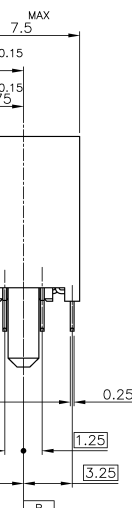
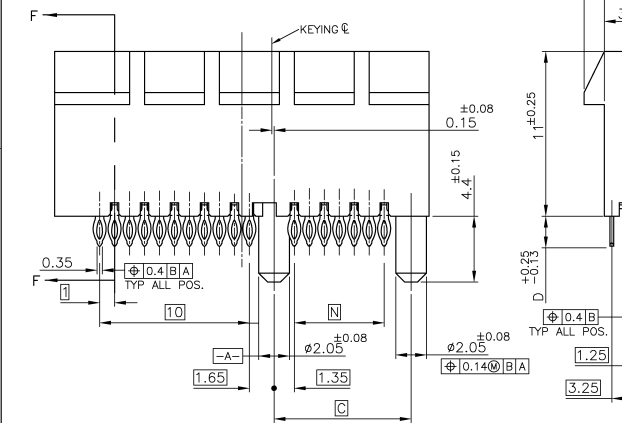
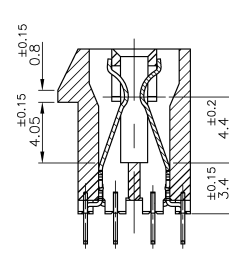
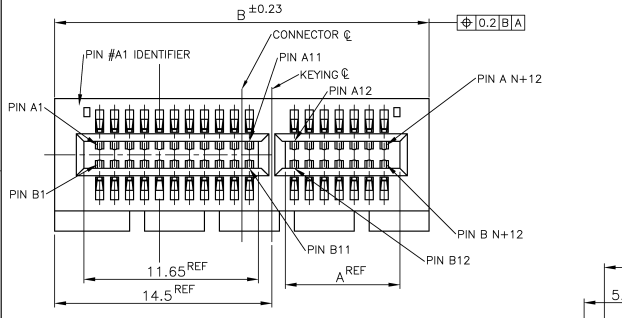


THIS DRAWING IS UNPUBLISHED. RELEASED FOR PUBLICATION JUN. 2005.
 © COPYRIGHT 2005 BY TYCO ELECTRONICS CORPORATION. ALL INTERNATIONAL RIGHTS RESERVED.

LOC		DIST		REVISIONS			
P	LTR	DESCRIPTION	DATE	OWN	APVD		
E1	REVISED		20OCT2010	K.M	E.T		



- △ MATERIAL;
HOUSING: HIGH TEMPERATURE THERMO PLASTIC
UL94V-0, COLOR; BLACK
CONTACT: COPPER ALLOY
 - △ FINISH;
CONTACT AREA: GOLD PL. 0.76 μm MIN OVER NICKEL PL.
COMPLIANT PIN ACTION AREA: 0.5 μm MIN MATTE TIN OVER NICKEL PL.
 - △ NOT SPECIFY BY PCI EXPRESS STANDARD
 - △ FINISH;
CONTACT AREA: GOLD PL. 0.76 μm MIN OVER NICKEL PL.
COMPLIANT PIN ACTION AREA: 0.5 μm MIN BRIGHT TIN-LEAD OVER NICKEL PL.
 - △ FINISH;
CONTACT AREA: GOLD PL. 0.38 μm MIN OVER NICKEL PL.
COMPLIANT PIN ACTION AREA: 0.5 μm MIN MATTE TIN OVER NICKEL PL.
- 13 CONNECTOR HAS MET THE REQUIREMENTS PER PCI EXPRESS GEN 2 TECHNICAL DOCUMENT.

△	PRODUCING	70	↑	73.15	89	71.65	164	16	5-	↑	-4
△	PRODUCING	70		73.15	89	71.65	164	16	3-		-4
△	PRODUCING	37		40.15	56	38.65	98	8	3-		-3
△	PRODUCING	128		131.15	147	129.65	280		1-		-5
△	PRODUCING	70		73.15	89	71.65	164	16	1-		-4
△	PRODUCING	37	3.25	40.15	56	38.65	98	8	1-1871058		-3
△	PRODUCING	20	↑	23.15	39	21.65	64	4	1-	↑	-2
△	PRODUCING	6	3.25	9.15	25	7.65	36	1	1-		-1
△	PRODUCING	128	↑	131.15	147	129.65	280				-5
△	PRODUCING	70		73.15	89	71.65	164	16			-4
△	PRODUCING	37	2.0	40.15	56	38.65	98	8	1871058		-3
△	PRODUCING	20	↑	23.15	39	21.65	64	4			-2
△	PRODUCING	6	2.0	9.15	25	7.65	36	1	1871058		-1
△	FINISH	TOOLING STATUS	N	D	C	B	A	POS.	PORT		P/N

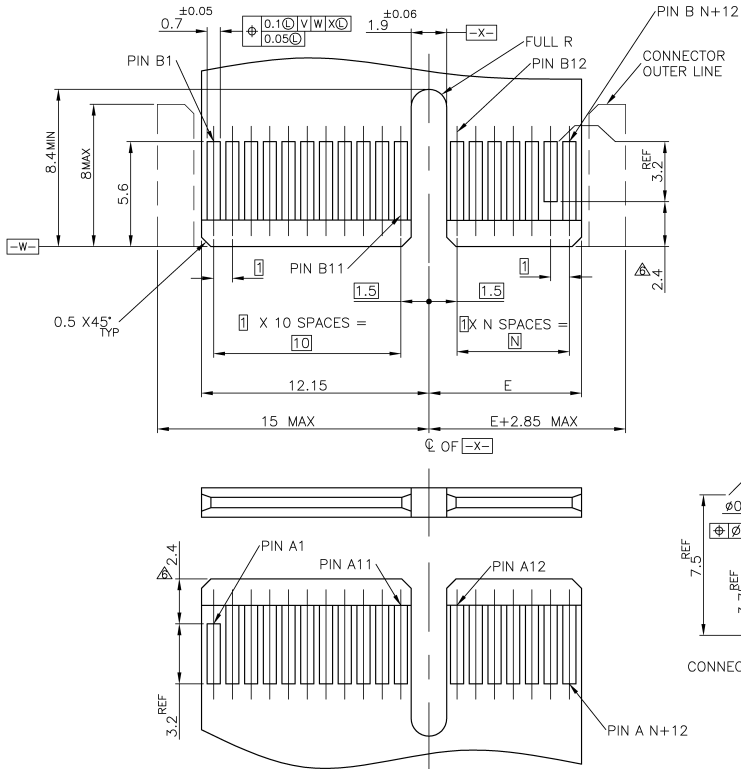
THIS DRAWING IS A CONTROLLED DOCUMENT.

DWN T. KATANO 02DEC05	Tyco Electronics Corporation Kawasaki, Japan
CHK R. MURAYAMA 02DEC05	
APVD K. KODAIRA 02DEC05	NAME PCI EXPRESS CARD EDGE CONN. WITH COMPLIANT PIN V-TYPE
PRODUCT SPEC 108-78340	SIZE A3
APPLICATION SPEC 取付適用規格	CAGE CODE 00779
WEIGHT	DRAWING NO 1871058
CUSTOMER DRAWING	SCALE 4:1
	SHEET 1 of 2
	REV E1

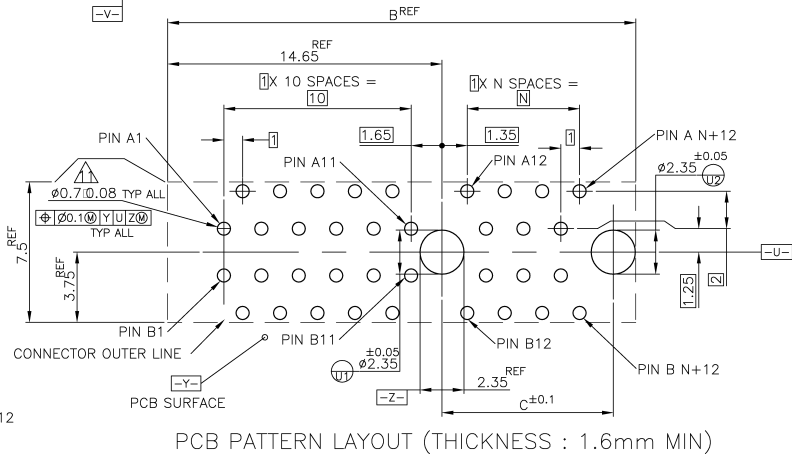
DIMENSIONS: 単位: 概 mm	TOLERANCES UNLESS OTHERWISE SPECIFIED: ±0.3
	φ-PLC ±0.3 1-PLC ±0.3 2-PLC ±0.3 3-PLC ±0.3 4-PLC ±0.3 ANGLES: ±0.5
MATERIAL 材料	FINISH 仕上
SEE NOTE 2	

THIS DRAWING IS UNPUBLISHED. RELEASED FOR PUBLICATION JUN. 2005.
 COPYRIGHT 2005 BY TYCO ELECTRONICS CORPORATION. ALL INTERNATIONAL RIGHTS RESERVED.

LOC	DIST	REV	DESCRIPTION	DATE	OWN	APPD
J			SEE SHEET 1			



THIS DIMENSION IS ONLY APPLIED TO PRSNT PINS.
 CARD THICKNESS APPLIES ACROSS TABS AND INCLUDES PLATING AND/OR METALIZATION.
 CHAMFER EDGES MUST BE FREE OF CUTTING BURRS.
 NO TIE BAR PERMITTED FROM CARD EDGE TO LEADING EDGE OF PAD FOR PRSNT PIN.
 APPLICATION NOTE:
 GOLD CONTACT PAD : ELECTROLESS GOLD PLATING 0.05µm MIN. OVER ELECTROLESS Ni PLATING 2µm MIN.
 DRILLED HOLE DIA.: 0.77 TO 0.83
 COPPER PLATING: 0.025 TO 0.075mm.
 FINISHED HOLE DIA. AFTER PLATING: 0.62 TO 0.78 DIA.



MODULE LAYOUT (MATING PART ONLY)

NOT SPECIFY BY PCI EXPRESS STANDARD

	A1,B17,B31,B48,B81,B139	130.15	131.15	147	128	280	
	A1,B17,B31,B48,B81	72.15	73.15	89	70	164	16
	A1,B17,B31,B48	39.15	40.15	56	37	98	8
	A1,B17,B31	22.15	23.15	39	20	64	4
	A1,B17	8.15	9.15	25	6	36	1
	PRSNT PIN	E	C	B	N	POS.	PORT

THIS DRAWING IS A CONTROLLED DOCUMENT.		DWN	Tyco Electronics Corporation Kawasaki, Japan	
DIMENSIONS: 単位: 概 mm		CHK	Tyco Electronics	
TOLERANCES UNLESS OTHERWISE SPECIFIED: 概公差		APVD	NAME 名称	
0-PLC ± ±0.13 1-PLC ± ±1 2-PLC ± ±1 3-PLC ± ±1 4-PLC ± ±1 FINISH 仕上		PRODUCT SPEC 製品仕様	PCI EXPRESS CARD EDGE CONN. WITH COMPLIANT PIN V-TYPE	
MATERIAL 材料	FINISH 仕上	APPLICATION SPEC 取付適用仕様	SIZE	RESTRICTED TO
		WEIGHT	A300779	
		CUSTOMER DRAWING	DRAWING NO 番号	
			1871058	
			SCALE 尺度 8:1	SHEET 2 of 2
				REV E1