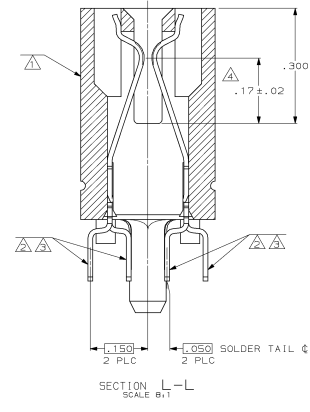
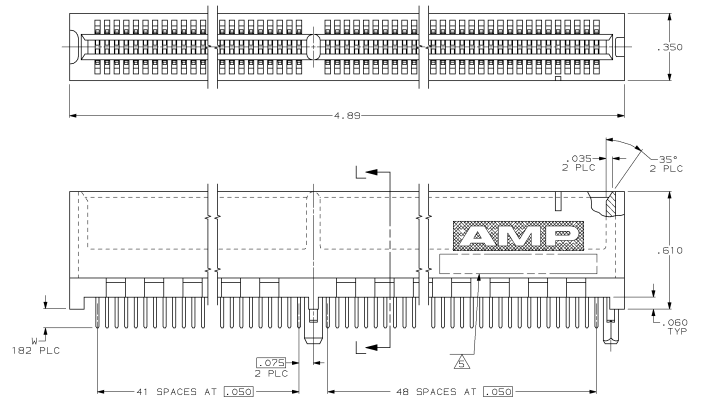
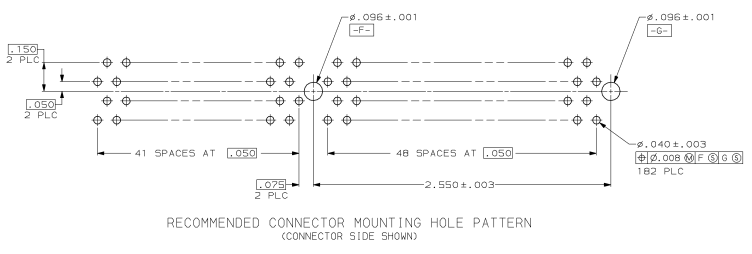
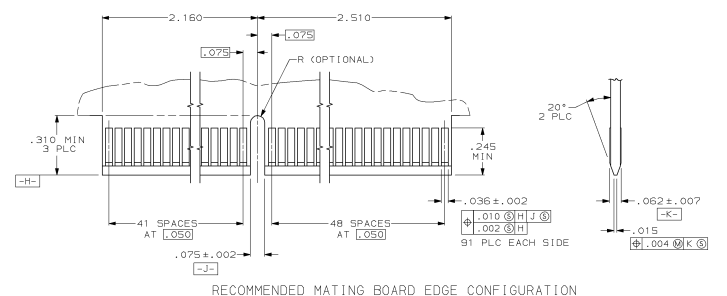
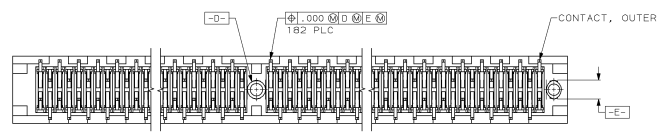


DRAWING MADE IN THIRD ANGLE PROJECTION
 THIS DRAWING IS UNPUBLISHED. RELEASED FOR PUBLICATION
 © copyright 1981 BY AMP INCORPORATED. ALL INTERNATIONAL RIGHTS RESERVED.

REV	DATE	BY	DESCRIPTION	DATE	APP'D
F	3/3/81	MB	REVISION PER AD-5103 & ADDED -3 PER 91-5283-001		
G	4/24/82	MB	REVISED PER 4281-20		
H	4/28/82	MB	REVISED PER 4282-27		
J	10/21/82	MB	ACTIVATED -3 PER 91-5283-001		
K	5/14/84	MB	REVISED PER 0010-0072-95		
L	12/31/84	MB	REVISED PER 0010-0825-95		



- △ HOUSING: HIGH TEMPERATURE THERMOPLASTIC. COLOR: BROWN.
- △ CONTACT: PHOSPHOR BRONZE.
- △ CONTACT FINISH: .000100 MIN NICKEL ALL OVER; .000030 MIN GOLD OVER NICKEL IN CONTACT AREA; .000100 MIN TIN-LEAD OVER NICKEL ON SOLDER TAILS.
- △ DISTANCE FROM CONTACT POINT TO BOTTOM OF CARD SLOT.
- △ AMP PART NUMBER, DATE CODE AND CSA LOGO MARKED IN APPROXIMATE AREA SHOWN.



OBsolete-	-125	650092-3
	-14	650092-2
	-10	650092-1
	W	PART NUMBER

DO NOT SCALE PRINT. UNLESS SPECIFIED DIMENSIONS IN mm (INCHES) TOLERANCES ON 3 PLG DEC + .05 INCHES ± .2"	DR 3/21/81 K.L. GUBER/ATA CHK 7-22-91 R. BOWERS APP'D 7-22-91 R. BOWERS PRODUCT SPEC 108-14034	NAME AMP Incorporated Harrisburg, PA 17105-3608
MATERIAL HOUSING: △ CONTACT: △	APPLICATION SPEC 114-26012 WEIGHT	CONNECTOR ASSEMBLY, 91 DUAL POSITION, .050 SERIES, STANDARD EDGE
FINISH CONTACT: △	SIZE D SCALE 4:1	CAGE CODE 00779 DRAWING NO 650092 SHEET 1 OF 1

CUSTOMER DRAWING