

4

3

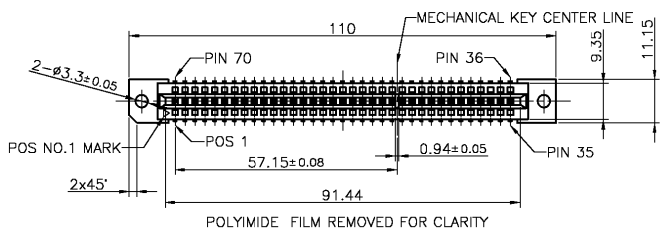
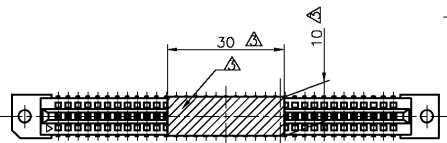
2

1

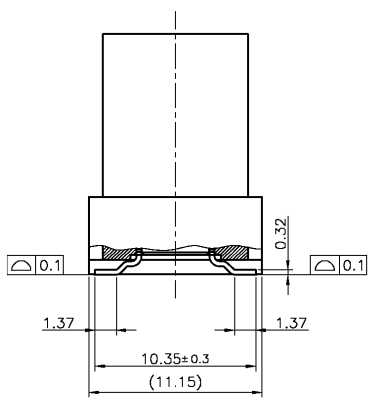
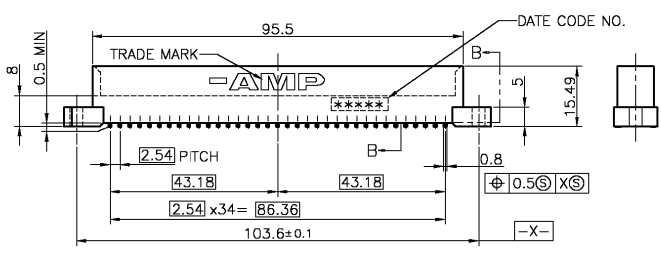
THIS DRAWING IS UNPUBLISHED. RELEASED FOR PUBLICATION  
 © COPYRIGHT BY TYCO ELECTRONICS CORPORATION. ALL RIGHTS RESERVED.

| LOC |     | DIST                   |  | REVISIONS |         |     |      |  |
|-----|-----|------------------------|--|-----------|---------|-----|------|--|
| P   | LTR | DESCRIPTION            |  |           | DATE    | DWN | APVD |  |
| 0   |     | RELEASED(FJ00-1962-00) |  |           | 20DEC00 | H.T | I.E  |  |

-1 ; AS SHOWN



- NOTES
- △ MATERIAL ; HOUSING:HIGH TEMPERATURE THERMO PLASTIC UL94V-0. CONTACT:COPPER ARROY.
  - 2. FINISH ; CONTACT AREA : GOLD PLATE OVER Ni PLATE. SOLDERING AREA : GOLD PLATE OVER Ni PLATE.
  - △ POLYIMIDE FILM (ADHESIVE TAPE) ; THK 0.08.
- 注記
- △ 材料 ; ハウジング : 耐熱性熱可塑性樹脂 UL94V-0  
 コンタクト : 銅合金
  - 2. めっき仕様 ; 接触部 : ニッケル下地  
 金めっき  
 半田付部 : ニッケル下地  
 金めっき
  - △ ポリイミド フィルム (粘着テープ) ; 厚さ 0.08



SECT B-B (SCALE 4-1)

GENERAL TOLERANCE

|       |       |
|-------|-------|
| 10±   | ±0.2  |
| 30±   | ±0.25 |
| >30   | ±0.3  |
| ANGLE | ±3°   |

THIS DRAWING IS A CONTROLLED DOCUMENT.

|                |  |                        |  |
|----------------|--|------------------------|--|
| DIMENSIONS: MM | TOLERANCES UNLESS OTHERWISE SPECIFIED: | DWN H.TAGUCHI 14DEC00  | <b>AMP</b> Tyco Electronics Corporation<br>Kawasaki, Japan |
| 0 PLC ± -      | 1 PLC ± -                              | CHK K.ASAKAWA 20DEC00  |  |
|                | 2 PLC ± -                              | APVD I.ENOMOTO 20DEC00 | NAME   |
|                | 3 PLC ± -                              |                        | PRODUCT SPEC   |
|                | 4 PLC ± -                              |                        | 108-5773   |
|                | ANGLES ± -                             |                        | APPLICATION SPEC   |
| MATERIAL △     | FINISH                                 | SIZE A3                | CAGE CODE 00779  |
|                |  | DRAWING NO             | 1473151  |
|                |  | RESTRICTED TO          |  |
|                |  | CUSTOMER DRAWING       | SCALE 1-1 SHEET 1 OF 2 REV 0                               |

4

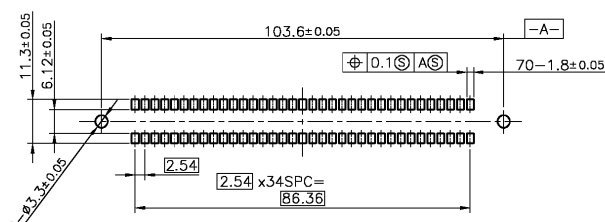
3

2

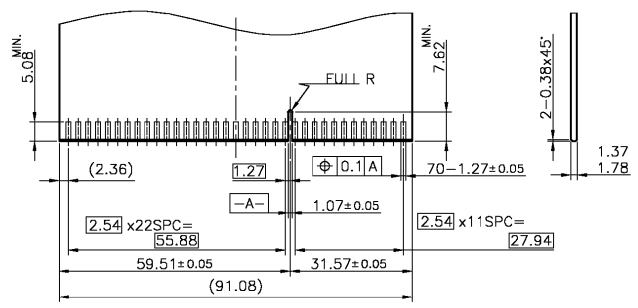
1

THIS DRAWING IS UNPUBLISHED. RELEASED FOR PUBLICATION  
 COPYRIGHT BY TYCO ELECTRONICS CORPORATION. ALL RIGHTS RESERVED.

| LOC |     | DIST        |      | REVISIONS |      |  |  |
|-----|-----|-------------|------|-----------|------|--|--|
| P   | LTN | DESCRIPTION | DATE | OWN       | APVD |  |  |
| J   |     |             |      |           |      |  |  |



RECOMMENDED P.C. BOARD PATTERN LAYOUT  
 (CONNECTOR MOUNTING SIDE)



RECOMMENDED MATING BOARD EDGE CONFIGURATION

GENERAL TOLERANCE

|       |       |
|-------|-------|
| 10±   | ±0.2  |
| 30±   | ±0.25 |
| >30   | ±0.3  |
| ANGLE | ±3°   |

|  |  |                  |  |   |  |
|--|--|------------------|--|---|--|
| THIS DRAWING IS A CONTROLLED DOCUMENT. |  | OWN              |  | AMP Tyco Electronics Corporation<br>Kawasaki, Japan |  |
| DIMENSIONS: MM                         |  | CHK              |  | NAME  |  |
| TOLERANCES UNLESS OTHERWISE SPECIFIED: |  | APVD             |  | PRODUCT SPEC  |  |
| 0 PLC ±                                |  | PRODUCT SPEC     |  | CARD EDGE 35 DUAL POS. SMT                          |  |
| 1 PLC ±                                |  | APPLICATION SPEC |  | SIZE CAGE CODE DRAWING NO RESTRICTED TO             |  |
| 2 PLC ±                                |  | WEIGHT           |  | A3 00779 C-1473151                                  |  |
| 3 PLC ±                                |  | CUSTOMER DRAWING |  | SCALE 1-1 SHEET 2 OF 2 REV 0                        |  |
| 4 PLC ±                                |  |                  |  |   |  |
| ANGLES ±                               |  |                  |  |   |  |
| MATERIAL                               |  |                  |  |   |  |
| FINISH                                 |  |                  |  |   |  |