

SEE SHEET 2 FOR HOLE PATTERN

- △ HOUSING: HIGH TEMPERATURE THERMOPLASTIC. COLOR - NATURAL.
- △ CONTACT: PHOSPHOR BRONZE.
- △ METAL HOLD DOWN: BRASS
- △ CONTACT FINISH: .001269[.000050] MIN NICKEL ALL OVER. GOLD PLAS OVER .002269[.000050] CONTACT AREA. .002537[.000100] MIN TIN-LEAD OVER NICKEL ON SOLDER TAILS.
- △ CONTACT FINISH: .001269[.000050] MIN NICKEL ALL OVER. .002374[.000015] GOLD OVER NICKEL IN CONTACT AREA. .002537[.000100] MIN TIN-LEAD OVER NICKEL ON SOLDER TAILS.
- △ CONTACT FINISH: .001269[.000050] MIN NICKEL ALL OVER. .000297[.000030] GOLD OVER NICKEL IN CONTACT AREA. .002537[.000100] MIN TIN-LEAD OVER NICKEL ON SOLDER TAILS.
- △ DISTANCE FROM CONTACT POINT TO BOTTOM OF CARD SLOT.
- △ METAL HOLD DOWN FINISH: .001269[.000050] MIN NICKEL ALL OVER. .003696[.000150] MIN TIN-LEAD ALL OVER.
- △ CORED OR SOLID SIDE WALLS ARE AT DISCRETION OF AMP INCORPORATED.
- △ HOUSING: HIGH TEMPERATURE THERMOPLASTIC. COLOR- GREEN; PANTONE COLORS 355C OR 365C
- △ CONTACT FINISH: .001269[.000050] MIN NICKEL ALL OVER. .000297[.000030] GOLD OVER NICKEL IN CONTACT AREA. .002537[.000100] MIN TIN OVER NICKEL ON SOLDER TAILS.
- △ OBSOLETE PARTS: OBSOLETE CIS STREAMLINING PER D.RENAUD/D.SINISI

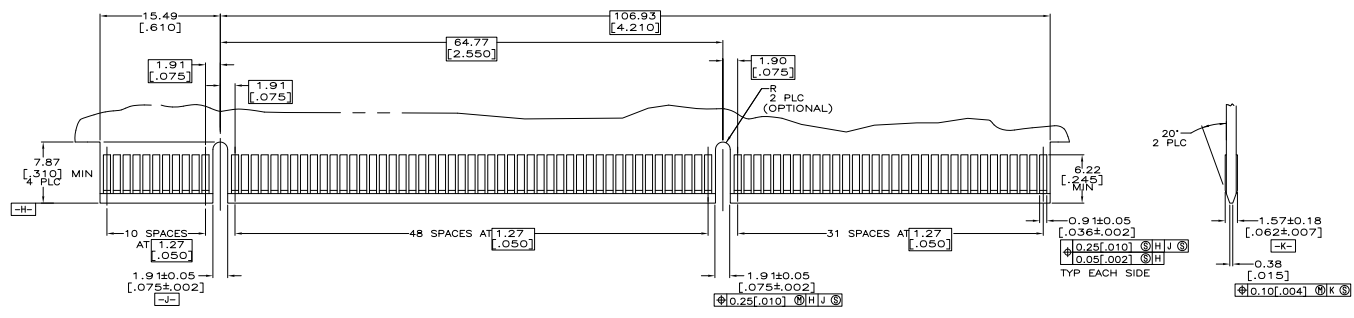
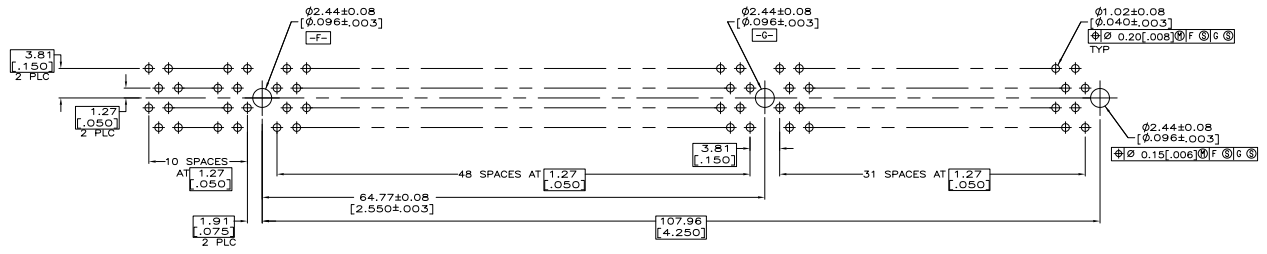


REV	DATE	DESCRIPTION	BY	APP
3-18	[1.25]			
2-145168-8				
1-145168-2				
145168-3				
145168-4				
145168-3				
145168-2				
145168-1				

THIS DRAWING IS A CONTROLLED DOCUMENT.		DATE: 6/17/01	DATE: 6/17/01	DATE: 6/17/01
DESIGNER: [Signature]	ENGINEER: [Signature]	DATE: 108-14034	DATE: 108-14034	DATE: 108-14034
DATE: 114-26012	DATE: 114-26012	DATE: 114-26012	DATE: 114-26012	DATE: 114-26012
DATE: 114-26012	DATE: 114-26012	DATE: 114-26012	DATE: 114-26012	DATE: 114-26012
DATE: 114-26012	DATE: 114-26012	DATE: 114-26012	DATE: 114-26012	DATE: 114-26012

THIS DRAWING IS UNPUBLISHED. ALL RIGHTS RESERVED.
 © 2008 Tyco Electronics Corporation

REV	DATE	DESCRIPTION	BY	CHK	APP
GP 00		SEE SHEET 1			



THIS DRAWING IS A CONTROLLED DOCUMENT.		REV	DATE	Tyco Electronics Corporation Harrisburg, Pa 17105-3608
UNLESS OTHERWISE SPECIFIED, DIMENSIONS ARE IN INCHES.		GP	00	
DESCRIPTION	CONTRACT NUMBER	PROJECT NAME	DATE	CONNECTOR ASSEMBLY, 92 DUAL POSITION, 1.27 (0.050) SERIES.
108-14034	114-26012	108-14034	000779	
ISSUED BY	ISSUED DATE	ISSUED BY	ISSUED DATE	REVISIONS
				A1 00779 145168
CUSTOMER DRAWING				REV 2 OF 2