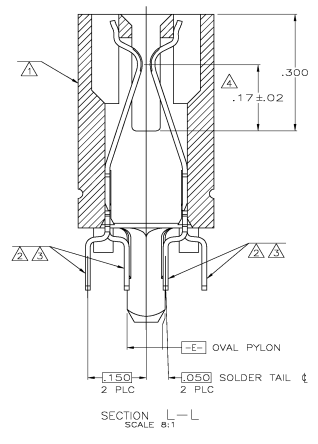
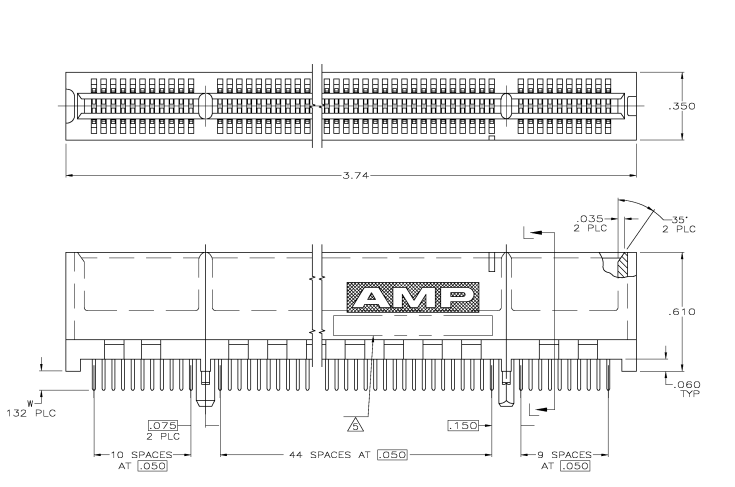
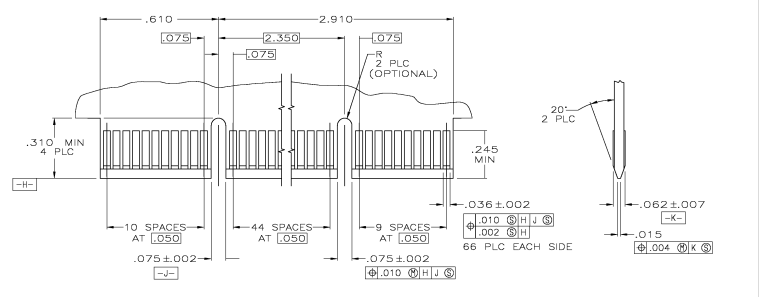
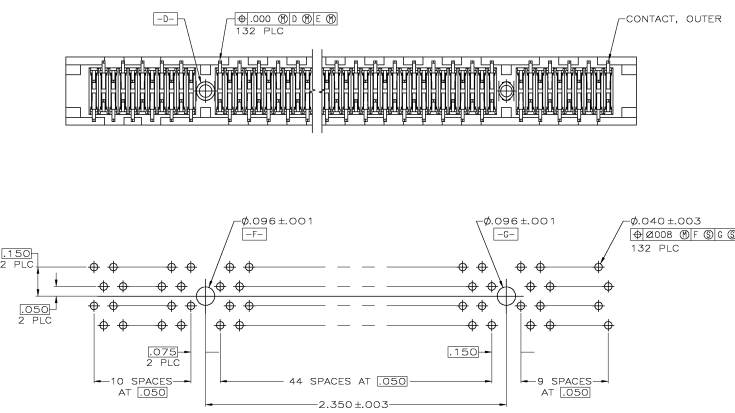


THIS DRAWING IS UNCLASSIFIED  
 UNLESS INDICATED OTHERWISE  
 ALL RIGHTS RESERVED

REV	DATE	DESCRIPTION	BY	CHK	APP
00					
A		REVISED PER EC 0515-0060-05			TO MFR 05AWF/AMF



- △ HOUSING: HIGH TEMPERATURE THERMOPLASTIC. COLOR: BROWN.
- △ CONTACT: PHOSPHOR BRONZE.
- △ CONTACT FINISH: .000100 MIN NICKEL ALL OVER, .000030 MIN GOLD OVER NICKEL IN CONTACT AREA, .000100 MIN MATTE TIN OVER NICKEL ON SOLDER TAILS.
- △ DISTANCE FROM CONTACT POINT TO BOTTOM OF CARD SLOT.
- △ AMP PART NUMBER, DATE CODE AND CSA LOGO MARKED IN APPROXIMATE AREA SHOWN.



RECOMMENDED CONNECTOR MOUNTING HOLE PATTERN  
 (CONNECTOR SIDE SHOWN)

OBSOLETE  
 14 5650091-2  
 10 5650091-1  
 W PART NUMBER

THIS DRAWING IS A CONTROLLED DOCUMENT.		REV. 14 MAR 93	<b>Amphenol</b>	Tyco Electronics Corporation
DRAWING NUMBER: 114-26012		REV. 14 MAR 93	<b>Amphenol</b>	Harrisburg, Pa 17105-3608
UNITS: mm	SYMBOLS: UNLESS OTHERWISE SPECIFIED	PROJECT SIZE: 10B-14034	CONNECTOR ASSEMBLY	
SCALE: 1:1	DATE CODE: 114-26012	WORKING SIZE: .050 SERIES STANDARD EDGE	66 DUAL POSITION	
MATERIAL: PHOSPHOR BRONZE	WEIGHT: 114-26012	SEE DATE CODE DRAWING NO: A100779	5650091	
TEMPERATURE: 114-26012	CUSTOMER DRAWING	REV. 4:1	REV. 1	APP. A