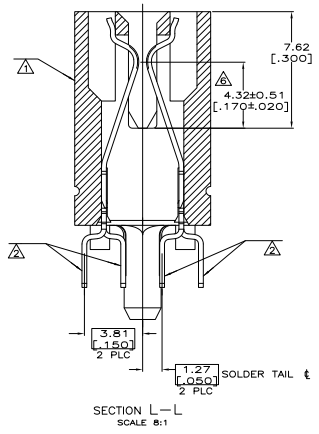
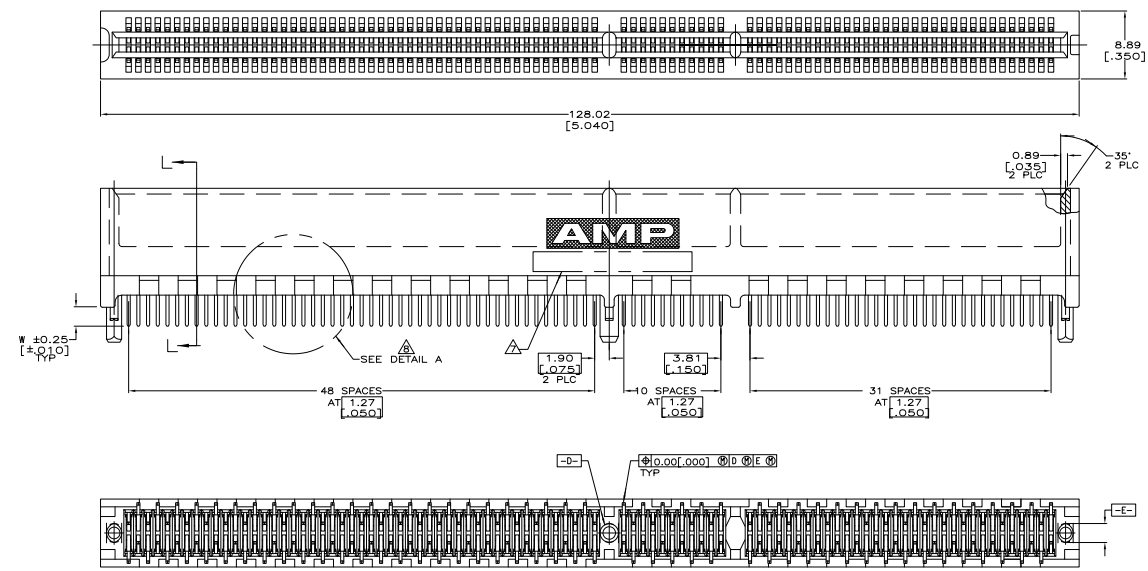
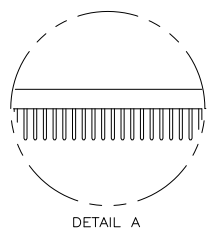


THIS DRAWING IS UNPUBLISHED
 UNLESS OTHERWISE SPECIFIED
 ALL RIGHTS RESERVED

REVISIONS			
REV	DATE	BY	APP
00			
F2			



SEE SHEET 2 FOR HOLE PATTERN



- △ HOUSING: HIGH TEMPERATURE THERMOPLASTIC.
 COLOR - NATURAL
- △ CONTACT: PHOSPHOR BRONZE.
- △ CONTACT FINISH: .001269[.000050] MIN NICKEL ALL OVER.
 GOLD FLASH OVER NICKEL IN CONTACT AREA.
 .002537[.000100] MIN TIN-LEAD OVER NICKEL ON SOLDER TAILS.
- △ CONTACT FINISH: .001269[.000050] MIN NICKEL ALL OVER.
 .000375[.000015] MIN GOLD OVER NICKEL IN CONTACT AREA.
 .002537[.000100] MIN TIN-LEAD OVER NICKEL ON SOLDER TAILS.
- △ CONTACT FINISH: .001269[.000050] MIN NICKEL ALL OVER.
 .000375[.000015] MIN GOLD OVER NICKEL IN CONTACT AREA.
 .002537[.000100] MIN TIN-LEAD OVER NICKEL ON SOLDER TAILS.
- △ DISTANCE FROM CONTACT POINT TO BOTTOM OF CARD SLOT.
- △ AMP PART NUMBER, DATE CODE AND CSA LOGO MARKED IN APPROXIMATE LOCATION SHOWN.
- △ CORED OR SOLID SIDE WALLS ARE AT DISCRETION OF AMP INCORPORATED.
- △ OBSOLETE PARTS: OBSOLETE CIS STREAMLINING PER D.RENAUD/D.SINISI

3.96 [±1.40]	△	1-145166-2
3.18 [±1.25]	△	145166-8
2.54 [±1.00]	△	145166-4
2.54 [±1.00]	△	145166-3
2.54 [±1.00]	△	145166-2
2.54 [±1.00]	△	145166-1

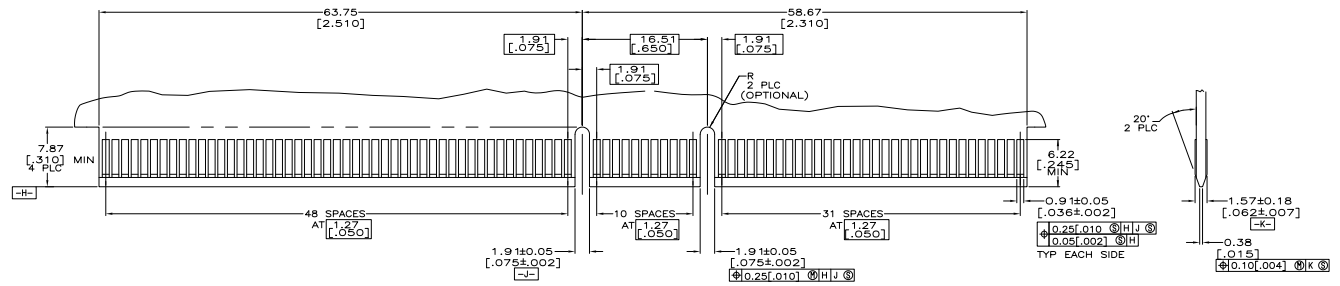
THIS DRAWING IS A CONTROLLED DOCUMENT

DATE: 11-14-2012
 REV: 1
 BY: [Signature]
 CHECKED BY: [Signature]

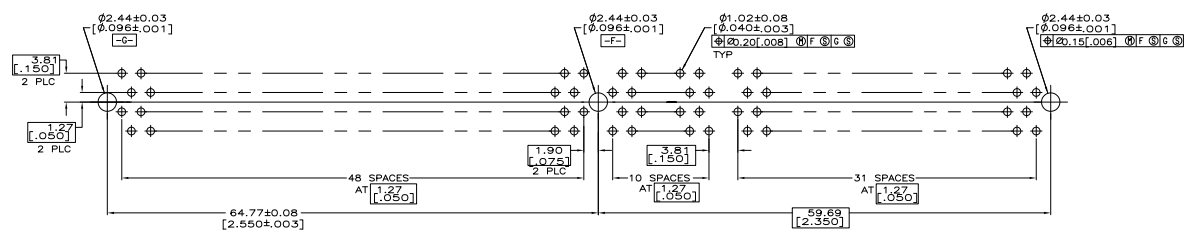
TE CONNECTIVITY
 CONNECTOR ASSEMBLY,
 92 DIAL POSITION,
 1.27 [0.050] SERIES, STANDARD EDGE

114-26012
 108-14034
 00779

SCALE: 4:1
 SHEET: 1 OF 2
 REV: F2



RECOMMENDED MATING BOARD EDGE CONFIGURATION



RECOMMENDED CONNECTOR MOUNTING HOLE PATTERN (CONNECTOR SIDE SHOWN)

THIS DRAWING IS A CONTROLLED DOCUMENT		REV	DATE	BY	CHK	APP
REV	DATE	BY	CHK	APP		
1						
DRAWN BY: J. L. LEE		REVISED BY: K. L. W. W.		DATE: 10-14-03		
CHECKED BY: J. L. LEE		REVISED BY: K. L. W. W.		DATE: 11-14-03		
APPROVED BY: J. L. LEE		REVISED BY: K. L. W. W.		DATE: 11-14-03		
WORK: 114-26012		REV: A		DATE: 11-14-03		
SHEET: 1		SHEET: 1		SHEET: 1		
CUSTOMER DRAWING		CUSTOMER DRAWING		CUSTOMER DRAWING		