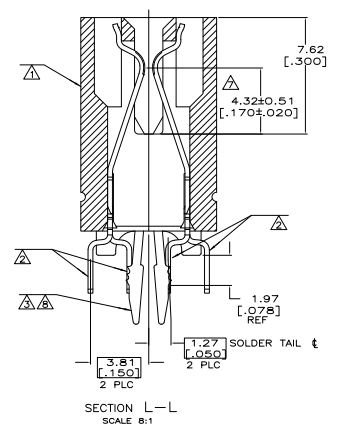
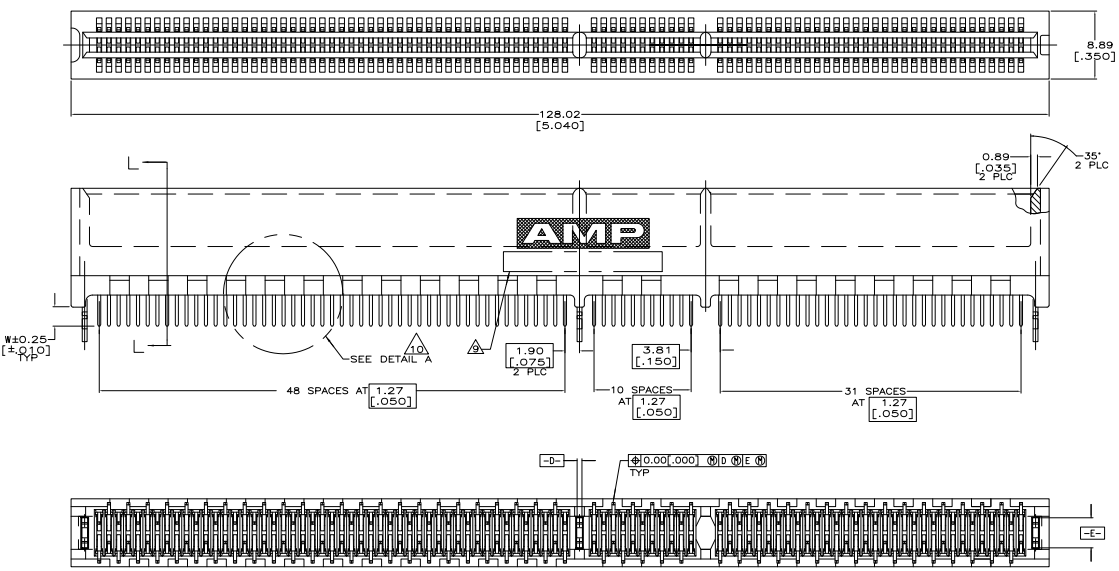


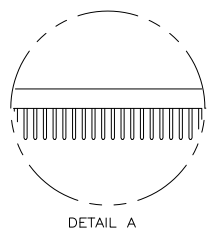
THIS DRAWING IS UNPUBLISHED
 UNLESS INDICATED OTHERWISE
 © 2005 AMP ELECTRONICS CORPORATION ALL RIGHTS RESERVED

REV	DATE	DESCRIPTION	BY	APP
B	10 MAY 05	REVISED PER 0515-0083-05	AWF	AWF
B1		REVISED PER ECO-10-000444	BRANNIO	KK HMR



SEE SHEET 2 FOR HOLE PATTERN

- △ HOUSING: HIGH TEMPERATURE THERMOPLASTIC.
COLOR - NATURAL
- △ CONTACT: PHOSPHOR BRONZE.
- △ METAL HOLD DOWN: BRASS
- △ CONTACT FINISH: .001269[.000050] MIN NICKEL ALL OVER.
GOLD FLASH OVER NICKEL IN CONTACT AREA.
.002537[.000100] MIN MATTE TIN OVER NICKEL ON SOLDER TAILS.
- △ CONTACT FINISH: .001269[.000050] MIN NICKEL ALL OVER.
.000375[.000015] GOLD OVER NICKEL IN CONTACT AREA.
.002537[.000100] MIN MATTE TIN OVER NICKEL ON SOLDER TAILS.
- △ CONTACT FINISH: .001269[.000050] MIN NICKEL ALL OVER.
.000757[.000030] GOLD OVER NICKEL IN CONTACT AREA.
.002537[.000100] MIN MATTE TIN OVER NICKEL ON SOLDER TAILS.
- △ DISTANCE FROM CONTACT POINT TO BOTTOM OF CARD SLOT.
- △ METAL HOLD DOWN FINISH: .001269[.000050] MIN NICKEL ALL OVER.
.003809[.000150] MIN MATTE TIN ALL OVER.
- △ AMP PART NUMBER, DATE CODE AND CSA LOGO MARKED IN APPROXIMATE LOCATION SHOWN.
- △ CORED OR SOLID SIDE WALLS ARE AT DISCRETION OF AMP INCORPORATED.
- △ OBSOLETE PARTS: OBSOLETE CIS STREAMLINING PER D.RENAUD/D.SINISI



3.56 [1.40]	△	1-5145169-2
3.18 [1.25]	△	5145169-3
2.54 [1.00]	△	5145169-4
2.54 [1.00]	△	5145169-5
2.54 [1.00]	△	5145169-6
2.54 [1.00]	△	5145169-7
W	FINISH	PART NUMBER

THIS DRAWING IS A CONTROLLED DOCUMENT.		DATE	BY	APP	DATE	BY	APP
DESIGNED	FRANKLIN	08 MAY 05			DATE	BY	APP
DRAWN	FRANKLIN	08 MAY 05			DATE	BY	APP
CHECKED					DATE	BY	APP
APPROVED					DATE	BY	APP

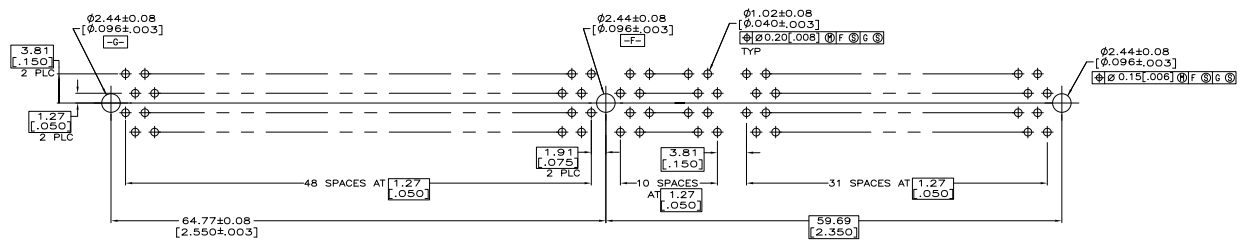
Two Electronics Corporation
 Harrisburg, Pa 17105-3608

PROJECT FILE: 108-14034
 REVOLUTION SPEC: 114-26012
 CUSTOMER DRAWING: A100779 (Q=5145169)

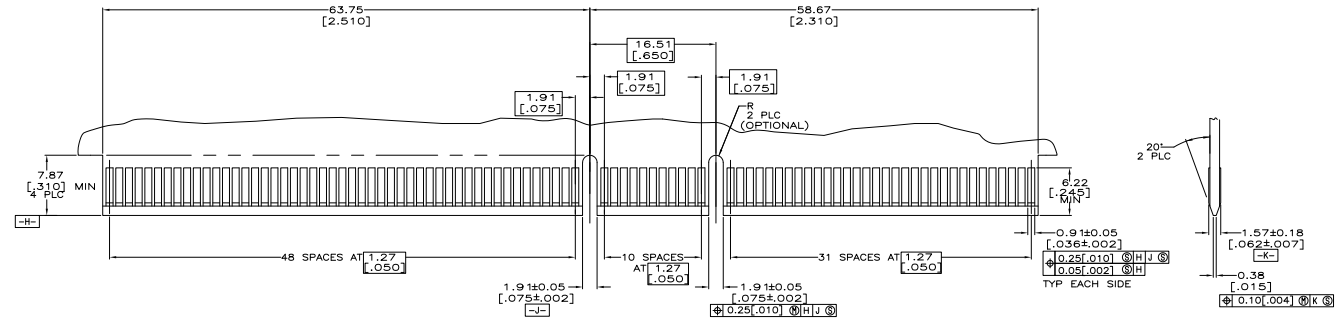
CONNECTOR ASSEMBLY, 92 DUAL POSITION, .050 SERIES, STANDARD EDGE
 REFERENCED TO: 1 2 B1

THIS DRAWING IS UNPUBLISHED. ALL RIGHTS RESERVED.
 © 2008 Tyco Electronics Corporation

REV	DATE	DESCRIPTION	BY	APP
GP 00		SEE SHEET 1		



RECOMMENDED CONNECTOR MOUNTING HOLE PATTERN
 (CONNECTOR SIDE SHOWN)



RECOMMENDED MATING BOARD EDGE CONFIGURATION

THIS DRAWING IS A CONTROLLED DOCUMENT.		REV 00	DATE 08/07/08	BY	APP
DRAWING NO. 108-14034		REV 00	DATE 08/07/08	BY	APP
PROJECT NAME 108-14034		Tyco Electronics Corporation Harrisburg, Pa 17105-3608			
REV 00		CONNECTOR ASSEMBLY, 92 DUAL POSITION, .050 SERIES, STANDARD EDGE			
REV 00		DATE 08/07/08	DRAWING NO. 108-14034	REV 00	REV 00
REV 00		DATE 08/07/08	DRAWING NO. 114-26012	REV 00	REV 00
REV 00		DATE 08/07/08	DRAWING NO. 100779	REV 00	REV 00
REV 00		DATE 08/07/08	DRAWING NO. 5145169	REV 00	REV 00
REV 00		DATE 08/07/08	DRAWING NO. 5145169	REV 00	REV 00
REV 00		DATE 08/07/08	DRAWING NO. 5145169	REV 00	REV 00