

4

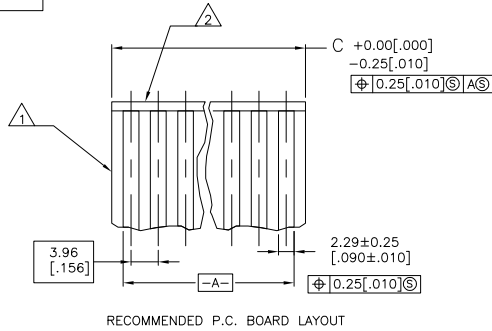
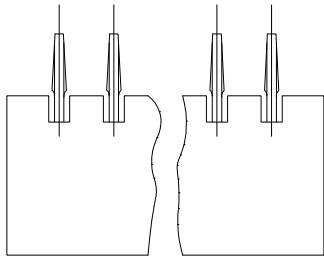
3

2

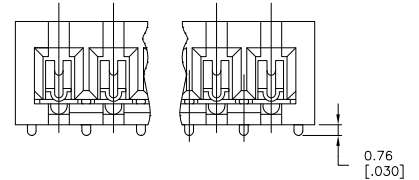
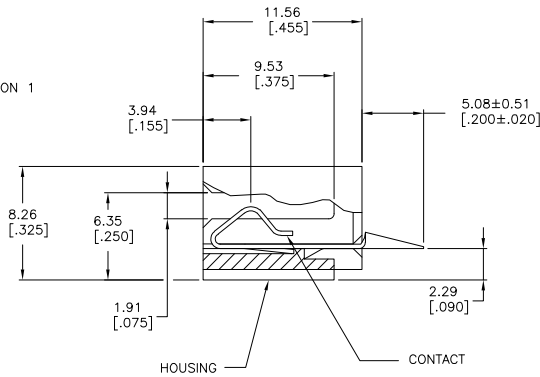
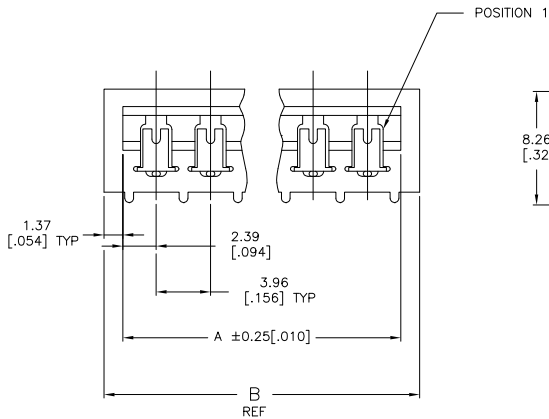
1

THIS DRAWING IS UNPUBLISHED. RELEASED FOR PUBLICATION
 © COPYRIGHT BY TYCO ELECTRONICS CORPORATION. ALL RIGHTS RESERVED.

LOC	DIST	REVISIONS			
F	LR	DESCRIPTION	DATE	BY	APP
01	ECO-05-013104		27JAN06	BSV	DB



- 1 BOARD THICKNESS TO BE 1.575±0.191[.0620±.0075] INCLUDING CIRCUITRY.
- 2 0.38[.015] MIN X 45° CHAMFER RECOMMENDED ON BOTH SIDES OF BOARD.
- 3 MATERIAL: HOUSING-THERMOPLASTIC POLYESTER, UNREINFORCED, UL94V-0, NATURAL. CONTACT-0.25[.010] BRASS, BRIGHT TIN OR TIN LEAD PLATED 0.00203[.000080] MIN. THICK. SEE FINISH TABLE FOR SPECIFICS
- 4. RECOMMEND 1.57[.062] DIA HOLES FOR SOLDER TAIL TABS.
- 5. PINS NUMBER 4, 8 & 9 ARE OMITTED.
- 6. PARTS COMPLY WITH AMP SOLDERABILITY SPEC 109-11-3.
- 7. DIMENSIONS IN BRACKETS ARE IN INCHES.



TIN	48.13[1.895]	51.16[2.014]	48.41[1.906]	12	3-770857-1
TIN-LEAD	48.13[1.895]	51.16[2.014]	48.41[1.906]	12	770857-1
FINISH	C	B	A	NO OF CIRCUITS	PART NO

METRIC

THIS DRAWING IS A CONTROLLED DOCUMENT.

DIMENSIONS: mm [INCHES]	TO TOLERANCES UNLESS OTHERWISE SPECIFIED:	0 PLG ± .-	1 PLG ± .-	2 PLG ± .-	3 PLG ± 0.13[.005]	4 PLG ± .-	ANGLES ± .-	FINISH

MATERIAL: FINISH:

DATE	15AUG91	BY	15AUG91	NAME	Tyco Electronics Corporation
CHK	15AUG91				Harrisburg, PA 17105-3608
APP					
PRODUCT SPEC					
APPLICATION SPEC					
WEIGHT		SIZE	A2	CAGE CODE	00779
		DRAWING NO	C=770857		RESTRICTED TO
CUSTOMER DRAWING		SCALE	5:1	SHEET	1 of 1

REV 01