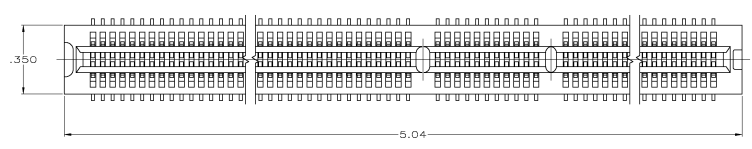
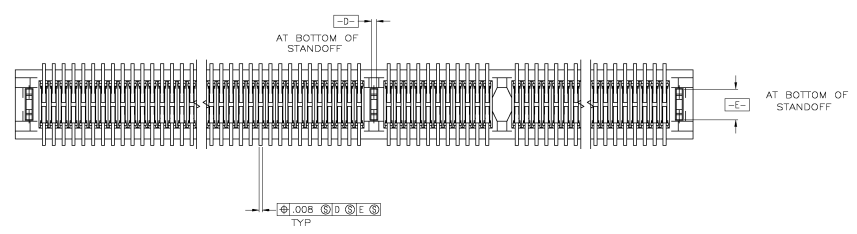
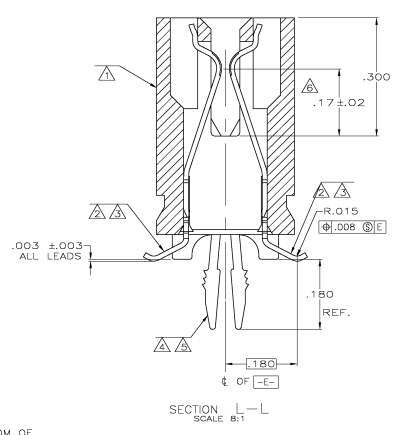
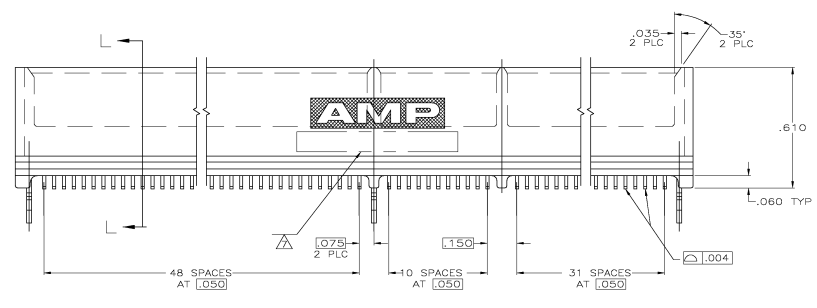


REV	DATE	DESCRIPTION	BY	CHK
00				
0		RELEASED PER EC DS12-0287-04		



- △ HOUSING: HIGH TEMPERATURE THERMOPLASTIC.
- △ CONTACT: PHOSPHOR BRONZE.
- △ CONTACT FINISH: .000100 MIN NICKEL ALL OVER
.000030 MIN GOLD OVER NICKEL IN CONTACT AREA
.000100 MIN MATTE TIN OVER NICKEL ON SOLDER TAILS.
- △ METAL HOLD DOWN: BRASS
- △ METAL HOLD DOWN FINISH: .000050 MIN NICKEL ALL OVER,
.000150 MIN MATTE TIN ALL OVER.
- △ DISTANCE FROM CONTACT POINT TO BOTTOM OF CARD SLOT.
- △ AMP PART NUMBER, DATE CODE AND CSA LOGO MARKED IN APPROXIMATE AREA SHOWN.



5145113-1 AS SHOWN

THIS DRAWING IS A CONTROLLED DOCUMENT.		REV. 00	DATE 03 JAN 93	Amphenol Tyco Electronics Corporation Harrisburg, Pa. 17105-3608	
DRAWN BY: [Signature]		REV. 00	DATE 03 JAN 93		
HOLES: A: 1 B: 1 C: 1 D: 1 E: 1 F: 1 G: 1 H: 1 I: 1 J: 1 K: 1 L: 1 M: 1 N: 1 O: 1 P: 1 Q: 1 R: 1 S: 1 T: 1 U: 1 V: 1 W: 1 X: 1 Y: 1 Z: 1	DIMENSIONS: A: 1 B: 1 C: 1 D: 1 E: 1 F: 1 G: 1 H: 1 I: 1 J: 1 K: 1 L: 1 M: 1 N: 1 O: 1 P: 1 Q: 1 R: 1 S: 1 T: 1 U: 1 V: 1 W: 1 X: 1 Y: 1 Z: 1	PART NO: 108-14034 REV: 000 DATE: 114-13148	TITLE: CONNECTOR ASSEMBLY, 92 DUAL POSITION, GSD SERIES, STANDARD SIDE SURFACE MOUNT	SIZE: 000 DRAWING NO: A1007780-5145113	REFLECTED TO: [Signature]
MATERIALS: HOUSING: △ CONTACT: △ METAL HOLD DOWN: △		FINISH: CONTACT FINISH: △ METAL HOLD DOWN FINISH: △		CUSTOMER DRAWING PART: 5-1 REV: 1 OF: 2	

