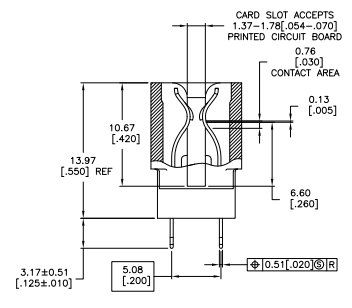
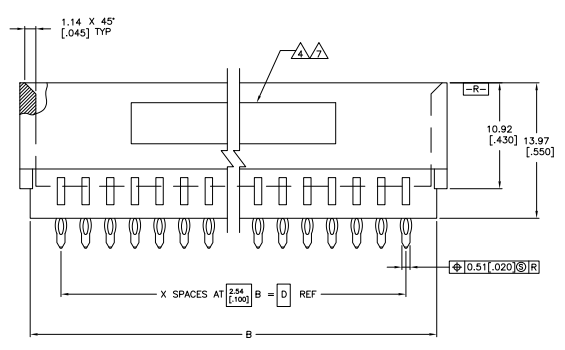
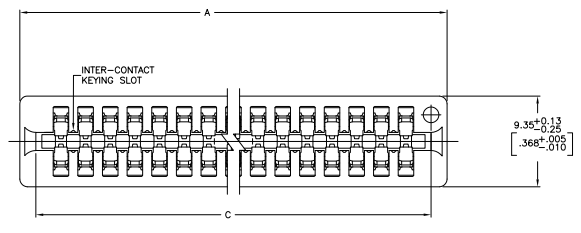


THIS DRAWING IS UNPUBLISHED. REPRODUCED FOR VERIFICATION
 © 2005 Tyco Electronics Corporation. ALL RIGHTS RESERVED.

REV	DATE	DESCRIPTION	BY	CHKD	APPD
AD 14		SEE SHEET 1			



THIS DRAWING IS A CONTROLLED DOCUMENT.		REV	DATE	BY	CHKD	APPD
DRAWING		J. MILLER		J. MILLER		
HOUSING		J. MILLER		J. MILLER		
CONTACT		J. MILLER		J. MILLER		
CUSTOMER DRAWING		DATE		DRAWING NO.		REVISED TO
		A1		00779		147490
		SHEET		2		OF 2