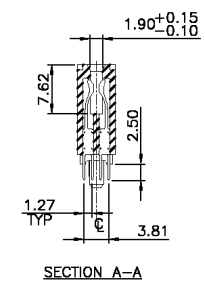
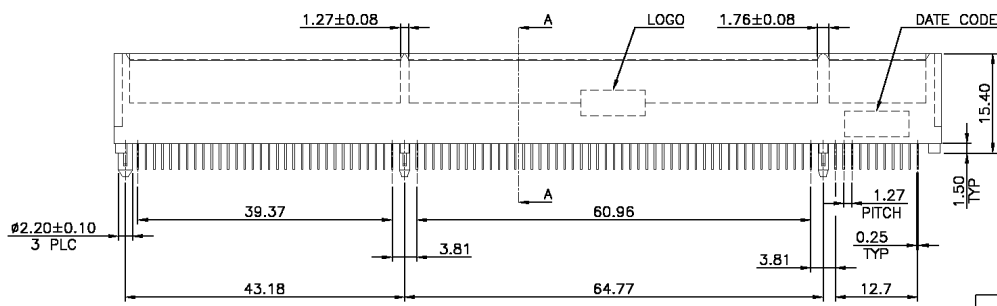
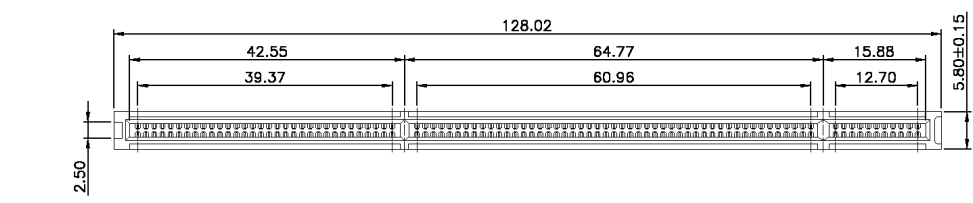


THIS DRAWING IS UNPUBLISHED. RELEASED FOR PUBLICATION AUG. 2008.
 © COPYRIGHT BY TYCO ELECTRONICS CORPORATION. ALL RIGHTS RESERVED.

P	LT#	DESCRIPTION	DATE	DRN	APVD
B		REVISED (ECR-09-008230)	08APR09	BH	WK
B1		REVISED PER ECO-09-024606	02NOV09	KK	AEG

NOTE:
 1. MATERIAL:
 HOUSING: PA46, UL 94V-0, COLOR: (SEE TABLE).
 CONTACTS: BRASS.
 2. FINISH:
 CONTACTS: (SEE TABLE) GOLD PLATED ON CONTACT AREA,
 2.54um [100u"] MIN. BRIGHT-TIN ON SOLDER TAIL,
 WITH ENTIRE CONTACT UNDERPLATED 1.27um [50u"] MIN. NICKEL.
 3. PIN-IN-PASTE CAPABLE TO 265°C IN ACCORDANCE WITH TEST
 SPECIFICATIONS 109-201 AND 109-202.
 4. WEIGHT: 14.0 GRAMS
 ⚠️ OBSOLETE PARTS: OBSOLETE CIS STREAMLINING PER
 D.RENAUD/D.SINISI



⚠️ OBSOLETE

3.3V	IVORY	0.762μm [30μ"] MIN.	1734425-6
	GREEN (3395C)	0.762μm [30μ"] MIN.	1734425-5
		0.381μm [15μ"] MIN.	1734425-4
	IVORY	G/F	1734425-3
VOLTAGE	HOUSING COLOR	0.381μm [15μ"] MIN.	1734425-2
		G/F	1734425-1
		MIN.GOLD THICKNESS	PART NUMBER

THIS DRAWING IS A CONTROLLED DOCUMENT.		DRN B. HSING 08APR2009	Tyco Electronics Tyco Electronics Corporation Taipei, Taiwan	
DIMENSIONS: MM	TOLERANCES UNLESS OTHERWISE SPECIFIED:	CHK S. CHIEN 08APR2009	NAME CARD EDGE SLIM PCI,184 POS	
0 PLC ± -	1 PLC ± 0.30	APVD W. KODAMA 08APR2009	SIZE A3	CAGE CODE 00779
2 PLC ± 0.20	3 PLC ± 0.15	PRODUCT SPEC 108-57522	DRAWING NO C-1734425	RESTRICTED TO -
4 PLC ± -	ANGLES ± 3'	QUALIFICATION TEST REPORT 501-57597	WEIGHT 14 GRAMS	
MATERIAL SEE NOTE	FINISH SEE NOTE	W. KODAMA	CUSTOMER DRAWING	SCALE -
			SHEET 1 of 3	REV B1

4

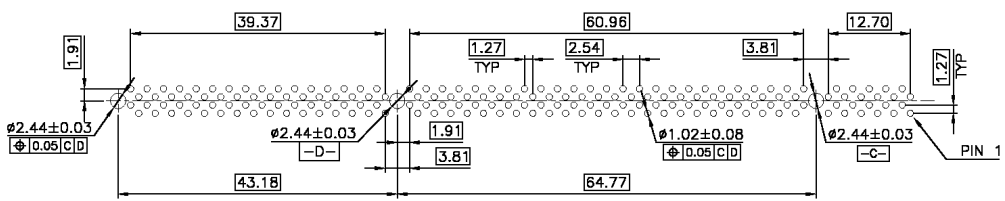
3

2

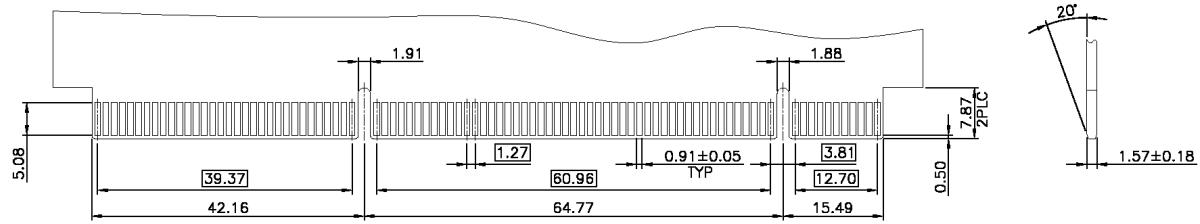
1

THIS DRAWING IS UNPUBLISHED. RELEASED FOR PUBLICATION AUG. 2008.
 COPYRIGHT BY TYCO ELECTRONICS CORPORATION. ALL RIGHTS RESERVED.

LDC		DIST		REVISIONS			
P	LTN	DESCRIPTION	DATE	BY	APVD		
		SEE SHEET 1.					



RECOMMENDED PCB LAYOUT (TOP VIEW)
 TOLERANCE: ± 0.05 , THICKNESS: 1.6mm



RECOMMENDED MATING PCB LAYOUT
 TOLERANCE: ± 0.05 mm

THIS DRAWING IS A CONTROLLED DOCUMENT.		DRN	Tyco Electronics Corporation Taipei, Taiwan	
DIMENSIONS:	TOLERANCES UNLESS OTHERWISE SPECIFIED: 0 PLC \pm 1 PLC \pm 2 PLC \pm 3 PLC \pm 4 PLC \pm ANGLES \pm	CHK	NAME	CARD EDGE SLIM PCI, 184 POS
MM		APVD	PRODUCT SPEC	
	FINISH	APPLICATION SPEC	SIZE	A3
		MATERIAL	WEIGHT	CAGE CODE
		CUSTOMER DRAWING	DRAWING NO	C-1734425
			RESTRICTED TO	
			SCALE	
			SHEET	2 of 3
			REV	B1

AMP 1470-18 REV 31MAR2000

4

3

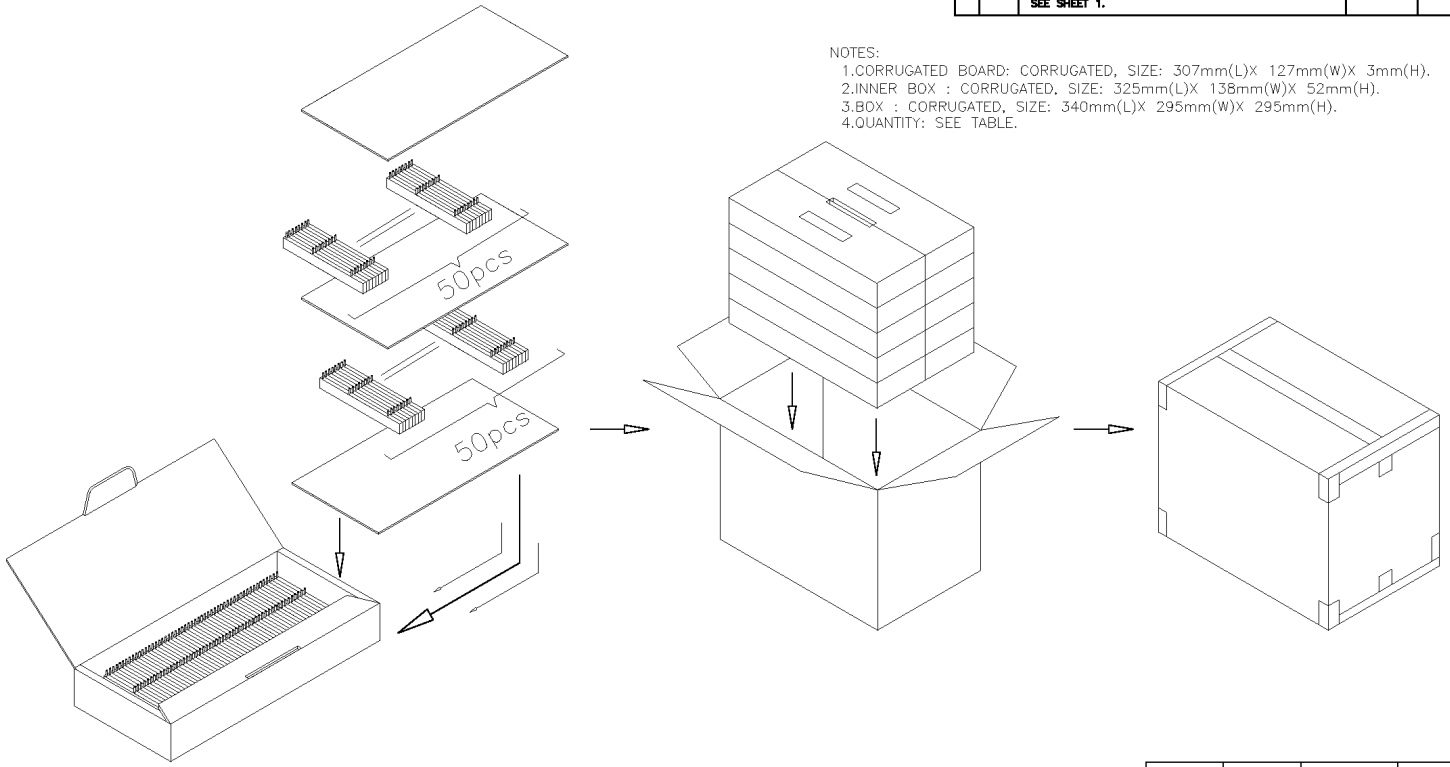
2

1

THIS DRAWING IS UNPUBLISHED. RELEASED FOR PUBLICATION AUG. 2008.
 © COPYRIGHT BY TYCO ELECTRONICS CORPORATION. ALL RIGHTS RESERVED.

LOG		REVISIONS			
P	LT/R	DESCRIPTION	DATE	DRN	APVD
		SEE SHEET 1.			

- NOTES:
 1.CORRUGATED BOARD: CORRUGATED, SIZE: 307mm(L)X 127mm(W)X 3mm(H).
 2.INNER BOX : CORRUGATED, SIZE: 325mm(L)X 138mm(W)X 52mm(H).
 3.BOX : CORRUGATED, SIZE: 340mm(L)X 295mm(W)X 295mm(H).
 4.QUANTITY: SEE TABLE.



100	1000	14	17
PIECES PER INNER BOX	PIECES PER BOX	NET WEIGHT (Kg)	GROSS WEIGHT (Kg)

THIS DRAWING IS A CONTROLLED DOCUMENT.		DRN	Tyco Electronics Tyco Electronics Corporation Taipei, Taiwan	
DIMENSIONS: MM	TOLERANCES UNLESS OTHERWISE SPECIFIED:	CHK	NAME	
	0 PLC ±	APVD	CARD EDGE SLIM PCI,184 POS	
	1 PLC ±	PRODUCT SPEC	SIZE	
	2 PLC ±	APPLICATION SPEC	CAGE CODE	
	3 PLC ±	WEIGHT	DRAWING NO	
MATERIAL	FINISH	RESTRICTED TO		
		CUSTOMER DRAWING		SCALE
		SHEET 3 of 3		REV B1

AMP 1470-18 REV 31MAR2000