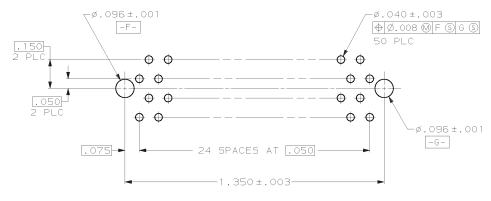
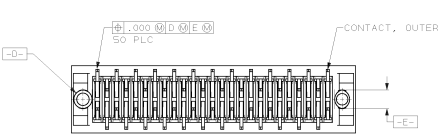
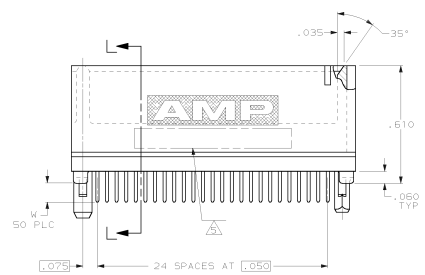
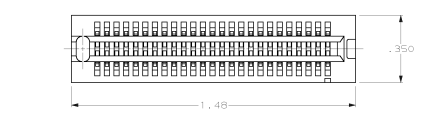
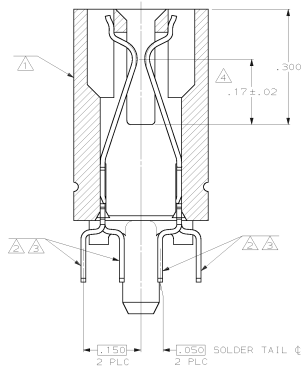


DRAWING MADE IN THIRD ANGLE PROJECTION
 THESE DIMENSIONS ARE UNLESS SPECIFIED. RELEASED FOR PUBLICATION
 © COPYRIGHT 19 BY AMP INCORPORATED. ALL INTERNATIONAL RIGHTS RESERVED.

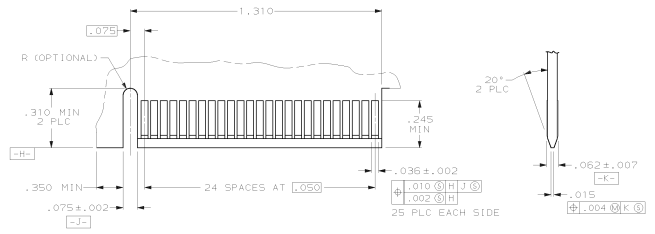
REV	DATE	BY	ZONE	LT#	DESCRIPTION	DATE	APPD
B	3/91				REDRAWN PER AD-5103	3/91	MS
C	4/84				REVISED PER A06120	4/84	MS
D	7/84				REVISED PER 0010-1146-94	7/84	SS
E	5/84				REVISED PER 0010-0072-96	5/84	RS
F	10/88				REV PER EC 0512-0047-02	10/88	RS



RECOMMENDED CONNECTOR MOUNTING HOLE PATTERN
 (CONNECTOR SIDE SHOWN)



SECTION L-L
 SCALE 8:1



RECOMMENDED MATING BOARD EDGE CONFIGURATION

- △ HOUSING: HIGH TEMPERATURE THERMOPLASTIC. COLOR: BROWN.
- △ CONTACT: PHOSPHOR BRONZE.
- △ CONTACT FINISH: .000100 MIN NICKEL ALL OVER;
 .000030 MIN GOLD OVER NICKEL IN CONTACT AREA;
 .000100 MIN TIN-LEAD OVER NICKEL ON SOLDER TAILS.
- △ DISTANCE FROM CONTACT POINT TO BOTTOM OF CARD SLOT.
- △ AMP PART NUMBER, DATE CODE AND CSA LOGO MARKED IN APPROXIMATE AREA SHOWN.

.14	650719-2
.10	650719-1
W	PART NUMBER

DO NOT SCALE PRINT. UNLESS SPECIFIED DIMENSIONS IN MM (INCHES) TOLERANCES: .01 2 PLC DEC # .05 MILES # 2"	DR 3/21/91 F.L. (0058)/GTA CHR 11-21-91 R. THOMPSON APPD 11-21-91 R. THOMPSON MODIFY SPEC 108-14034	AMP Incorporated Harrisburg, PA 17105-3608
MATERIAL HOUSING: △ CONTACT: △	APPD 11-21-91 R. THOMPSON MODIFY SPEC 108-14034	NAME CONNECTOR ASSEMBLY, END KEYED, 25 DUAL POSITION, .050 SERIES, STANDARD EDGE
FINISH CONTACT: △	APPLICATION SPEC 114-26012 MTRMPT _	SIZE D PAGE CODE 00779 SCALE 4:1
		DRAWING NO 650719 SHEET 1 OF 1

CUSTOMER DRAWING