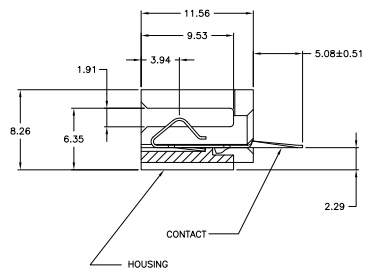
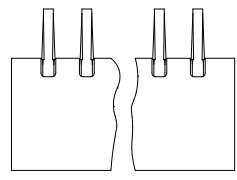
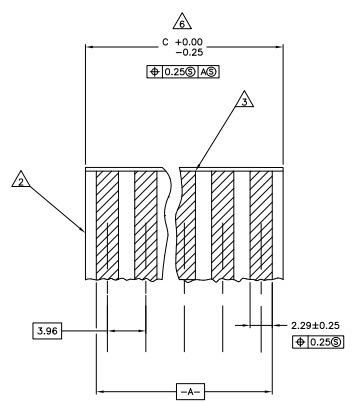
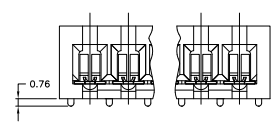
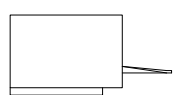
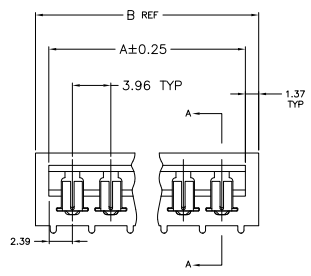


THIS DRAWING IS UNAPPROVED FOR PRODUCTION ALL RIGHTS RESERVED

REV	DATE	DESCRIPTION	BY	CHK	APP
CM 52					
NS		REVISED PER EDD-11-004917	11MM11	RK	HMR



- RECOMMEND 1.57 DIA HOLES FOR SOLDER TAIL TABS.
  - BOARD THICKNESS TO BE 1.575±0.191 INCLUDING CIRCUITRY.
  - 0.38 MIN X 45° CHAMFER RECOMMENDED ON BOTH SIDES OF BOARD.
  - PARTS COMPLY WITH AMP SOLDERABILITY SPEC. 109-11-3.
- MATERIAL: HOUSING-THERMOPLASTIC POLYESTER, UNREINFORCED, UL94V-0, NATURAL.  
CONTACT - 0.25 BRASS, BRIGHT.  
TIN OR TIN LEAD PLATED 0.00203 MIN. THICK.  
SEE FINISH TABLE FOR SPECIFICS.
- \*"C" DIMENSION TO BE 0.28 LESS THAN "A" DIMENSION.  
SEE RESTRICTED CUSTOMER DRAWING 640133-7.  
OBsolete PARTS: OBSOLETE CIS STREAMLINING PER D.RENAUD/D.SINISI



RECOMMENDED P.C. BOARD LAYOUT

0.38	.015	1.91	.075	6.35	.250	-	-
0.25	.010	1.575	.0620	5.08	.200	-	-
0.191	.0075	1.57	.062	3.96	.156	-	-
0.13	.005	1.37	.054	3.94	.155	11.56	4.55
0.00203, 0.00080	0.76	.030	2.39	.094	9.53	.375	-
0.00	.000	0.51	.020	2.29	.090	8.26	.325
MM	IN	MM	IN	MM	IN	MM	IN

CONVERSION TABLE

OBsolete	TIN	2.014	51.16	1.906	48.41	12	-4-640133-2
OBsolete	TIN	1.702	43.23	1.594	40.49	10	-4-640133-0
	TIN	1.389	35.28	1.281	32.54	8	-3-640133-8
OBsolete	TIN	1.077	27.36	.969	24.61	6	-3-640133-6
OBsolete	TIN-LEAD	2.014	51.16	1.906	48.41	12	-1-640133-2
	TIN-LEAD	1.702	43.23	1.594	40.49	10	-1-640133-0
	TIN-LEAD	1.389	35.28	1.281	32.54	8	640133-8
	TIN-LEAD	1.077	27.36	.969	24.61	6	640133-6
	FINISH	IN	MM	IN	MM	NUMBER OF CIRCUITS	PART NUMBER

THIS DRAWING IS A CONTROLLED DOCUMENT

TE Connectivity  
EDGE CONNECTOR ASSEMBLY, BIFURCATED LEAF

DATE: 00779  
PART NUMBER: 640133

METRIC