

4

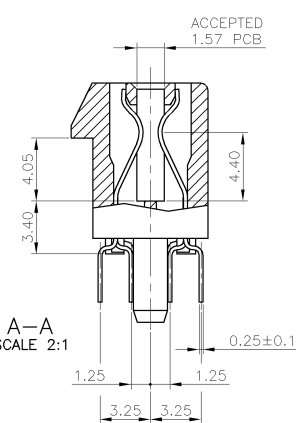
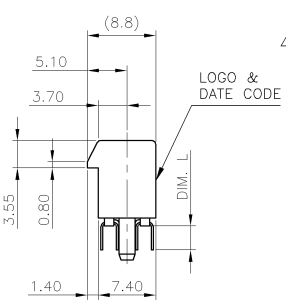
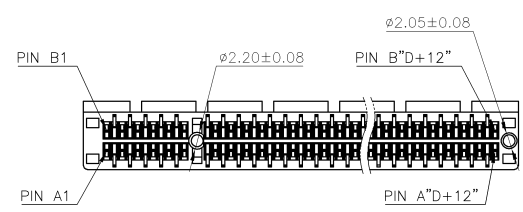
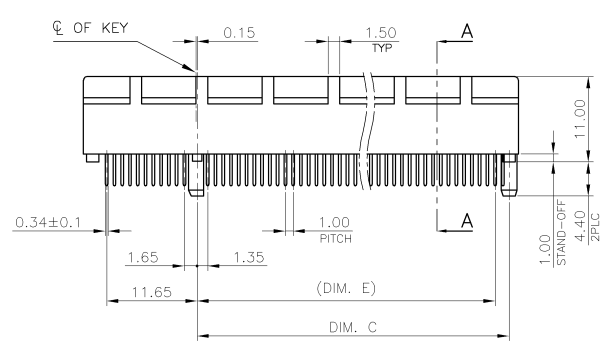
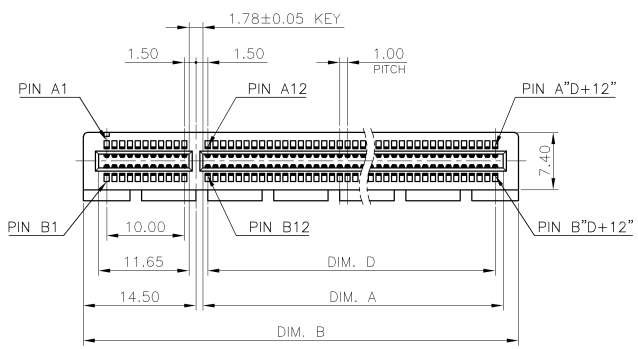
3

2

1

THIS DRAWING IS UNPUBLISHED. RELEASED FOR PUBLICATION AUG. 2006.
 © COPYRIGHT - BY TYCO ELECTRONICS CORPORATION. ALL RIGHTS RESERVED.

LOC	DIST	REVISIONS			
P	LTR	DESCRIPTION	DATE	DWN	APVD
F4		REVISED (ECR-11-008017) DRAWING REDRAW & REVISED PRODUCT SPEC TO 108-57871	19APR'11	E.L.	W.K.



- NOTES:
- MATERIAL:
 - HOUSING: 1.PA46 WITH 40% G.F, UL94 V-0, COLOR: SEE TABLE.
2.PA9T WITH 30% GF, UL94 V-0, COLOR: SEE TABLE.
 - CONTACT: PHOSPHOR BRONZE
 - FINISH:
 - CONTACT: (SEE TABLE) GOLD PLATING ON CONTACT AREA.
2.54um [100u"] MIN. MATTE-TIN PLATING ON SOLDER TAIL AREA.
1.27um [50u"] MIN. NICKEL UNDERPLATING OVERALL.
 - CONNECTOR HAS MET THE REQUIREMENTS PER PCI EXPRESS GEN 2 TECHNICAL DOCUMENT.
 - WEIGHT:
 - 36 POS.: 2.55 GRAMS; 64 POS.: 3.90 GRAMS
98 POS.: 5.50 GRAMS; 164 POS.: 8.80 GRAMS
 - WAVE SOLDER CAPABLE TO 265°C PER TEST SPEC. 109-202 CONDITION B.
 REFLOW SOLDER CAPABLE TO 260°C PER TEST SPEC. 109-201 CONDITION B.
 (REFLOW SOLDERING PLEASE USE PN : 1734774-1 TO 4-1734774-8)

THIS DRAWING IS A CONTROLLED DOCUMENT.		DWN B. HSING 15JUL2009	TE Connectivity	
DIMENSIONS: MM		CHK S. CHIEN 15JUL2009		
TOLERANCES UNLESS OTHERWISE SPECIFIED:		APVD W. KODAMA 15JUL2009	NAME	
0 PLC ± - 1 PLC ± 0.3 2 PLC ± 0.2 3 PLC ± 0.15 4 PLC ± - ANGLES ± 3°		PRODUCT SPEC 108-57871		PCI EXPRESS CARD EDGE CONNECTOR VERTICAL, DIP TYPE, 3GIO
MATERIAL SEE NOTE		APPLICATION SPEC		SIZE CAGE CODE DRAWING NO A3 00779 C-1734774
FINISH SEE NOTE		WEIGHT SEE NOTE 4		RESTRICTED TO
		CUSTOMER DRAWING		SCALE SHEET 1 of 4 REV F4

AMP 1470-19 REV 31MAR2000

4

3

2

1

THIS DRAWING IS UNPUBLISHED. RELEASED FOR PUBLICATION AUG. 2006.
 © COPYRIGHT - BY TYCO ELECTRONICS CORPORATION. ALL RIGHTS RESERVED.

LOC	DIST	REVISIONS			
P	LTR	DESCRIPTION	DATE	DWN	APVD
SEE SHEET 1.					

WEIGHT(g)	HOUSING MATERIAL	DIM. L	DIM. E	DIM. D	DIM. C	DIM. B	DIM. A	POS.	HOUSING COLOR	MIN. GOLD THICKNESS	PART NUMBER	
8.7	PA9T	71.35	70	73.15	89	71.65	164	164	BLACK	15u"	4-1734774-8	
5.45									WHITE	G/F	4-1734774-7	
3.85									BLACK	15u"	4-1734774-6	
									WHITE	G/F	4-1734774-5	
2.55									BLACK	15u"	4-1734774-4	
									WHITE	G/F	4-1734774-3	
8.7		2.30	71.35	70	73.15	89	71.65	164	164	BLACK	15u"	4-1734774-0
										WHITE	G/F	3-1734774-9
										BLACK	15u"	3-1734774-8
										WHITE	G/F	3-1734774-7
										BLACK	15u"	3-1734774-6
										WHITE	G/F	3-1734774-5
5.45	38.35	37	40.15	56	38.65	98	98	98	BLACK	15u"	3-1734774-2	
									WHITE	G/F	3-1734774-1	
									BLACK	15u"	3-1734774-3	
									WHITE	G/F	3-1734774-4	
									BLACK	15u"	3-1734774-3	
									WHITE	G/F	3-1734774-2	
3.85	21.35	20	23.15	39	21.65	64	64	64	BLACK	15u"	3-1734774-0	
									WHITE	G/F	3-1734774-1	
									BLACK	15u"	3-1734774-2	
									WHITE	G/F	3-1734774-3	
									BLACK	15u"	3-1734774-4	
									WHITE	G/F	3-1734774-5	
2.55	7.35	6	9.15	25	7.65	36	36	36	BLACK	15u"	2-1734774-8	
									WHITE	G/F	2-1734774-7	
									BLACK	15u"	2-1734774-6	
									WHITE	G/F	2-1734774-5	
									BLACK	15u"	2-1734774-4	
									WHITE	G/F	2-1734774-3	
8.7	3.10	71.35	70	73.15	89	71.65	164	164	BLACK	15u"	2-1734774-4	
									WHITE	G/F	2-1734774-3	
									BLACK	15u"	2-1734774-2	
									WHITE	G/F	2-1734774-1	
									BLACK	15u"	2-1734774-0	
									WHITE	G/F	1-1734774-9	
5.45	38.35	37	40.15	56	38.65	98	98	98	BLACK	15u"	1-1734774-8	
									WHITE	G/F	1-1734774-7	
									BLACK	15u"	1-1734774-6	
									WHITE	G/F	1-1734774-5	
									BLACK	15u"	1-1734774-4	
									WHITE	G/F	1-1734774-3	
3.85	21.35	20	23.15	39	21.65	64	64	64	BLACK	15u"	1-1734774-2	
									WHITE	G/F	1-1734774-1	
									BLACK	15u"	1-1734774-0	
									WHITE	G/F	1-1734774-9	
									BLACK	15u"	1-1734774-8	
									WHITE	G/F	1-1734774-7	
2.55	7.35	6	9.15	25	7.65	36	36	36	BLACK	15u"	1-1734774-6	
									WHITE	G/F	1-1734774-5	
									BLACK	15u"	1-1734774-4	
									WHITE	G/F	1-1734774-3	
									BLACK	15u"	1-1734774-2	
									WHITE	G/F	1-1734774-1	

WEIGHT(g)	HOUSING MATERIAL	DIM. L	DIM. E	DIM. D	DIM. C	DIM. B	DIM. A	POS.	HOUSING COLOR	MIN. GOLD THICKNESS	PART NUMBER	
8.8	PA46	71.35	70	73.15	89	71.65	164	164	BLACK	15u"	9-1734774-7	
5.5									WHITE	G/F	9-1734774-6	
3.9									BLACK	15u"	9-1734774-5	
									WHITE	G/F	9-1734774-4	
2.55									BLACK	15u"	9-1734774-3	
									WHITE	G/F	9-1734774-2	
8.8		2.30	71.35	70	73.15	89	71.65	164	164	BLACK	15u"	8-1734774-9
										WHITE	G/F	8-1734774-8
										BLACK	15u"	8-1734774-7
										WHITE	G/F	8-1734774-6
										BLACK	15u"	8-1734774-5
										WHITE	G/F	8-1734774-4
5.5	38.35	37	40.15	56	38.65	98	98	98	BLACK	15u"	8-1734774-3	
									WHITE	G/F	8-1734774-2	
									BLACK	15u"	8-1734774-1	
									WHITE	G/F	8-1734774-0	
									BLACK	15u"	8-1734774-4	
									WHITE	G/F	8-1734774-3	
3.9	21.35	20	23.15	39	21.65	64	64	64	BLACK	15u"	8-1734774-1	
									WHITE	G/F	8-1734774-0	
									BLACK	15u"	7-1734774-9	
									WHITE	G/F	7-1734774-8	
									BLACK	15u"	7-1734774-7	
									WHITE	G/F	7-1734774-6	
2.55	7.35	6	9.15	25	7.65	36	36	36	BLACK	15u"	7-1734774-5	
									WHITE	G/F	7-1734774-4	
									BLACK	15u"	7-1734774-3	
									WHITE	G/F	7-1734774-2	
									BLACK	15u"	7-1734774-1	
									WHITE	G/F	7-1734774-0	
8.8	3.10	71.35	70	73.15	89	71.65	164	164	BLACK	15u"	7-1734774-3	
									WHITE	G/F	7-1734774-2	
									BLACK	15u"	7-1734774-1	
									WHITE	G/F	7-1734774-0	
									BLACK	15u"	7-1734774-9	
									WHITE	G/F	7-1734774-8	
5.5	38.35	37	40.15	56	38.65	98	98	98	BLACK	15u"	6-1734774-7	
									WHITE	G/F	6-1734774-6	
									BLACK	15u"	6-1734774-5	
									WHITE	G/F	6-1734774-4	
									BLACK	15u"	6-1734774-3	
									WHITE	G/F	6-1734774-2	
3.9	21.35	20	23.15	39	21.65	64	64	64	BLACK	15u"	6-1734774-1	
									WHITE	G/F	6-1734774-0	
									BLACK	15u"	5-1734774-9	
									WHITE	G/F	5-1734774-8	
									BLACK	15u"	5-1734774-7	
									WHITE	G/F	5-1734774-6	
2.55	7.35	6	9.15	25	7.65	36	36	36	BLACK	15u"	5-1734774-5	
									WHITE	G/F	5-1734774-4	
									BLACK	15u"	5-1734774-3	
									WHITE	G/F	5-1734774-2	
									BLACK	15u"	5-1734774-1	
									WHITE	G/F	5-1734774-0	

THIS DRAWING IS A CONTROLLED DOCUMENT.

DIMENSIONS: MM	TOLERANCES UNLESS OTHERWISE SPECIFIED:	DWN	CHK	APVD	NAME
	0 PLC ± -	PRODUCT SPEC	TE Connectivity PCI EXPRESS CARD EDGE CONNECTOR VERTICAL, DIP TYPE, 3GIO		
	1 PLC ± 0.3	APPLICATION SPEC			
	2 PLC ± 0.2	WEIGHT			
	3 PLC ± 0.15	CUSTOMER DRAWING			
4 PLC ± -	FINISH	SIZE	CAGE CODE	DRAWING NO	RESTRICTED 30
ANGLES ± 3°		A3	00779	C-1734774	
MATERIAL		SCALE	SHEET	2	4
			REV	F	4

4

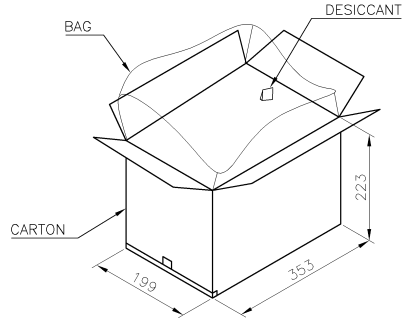
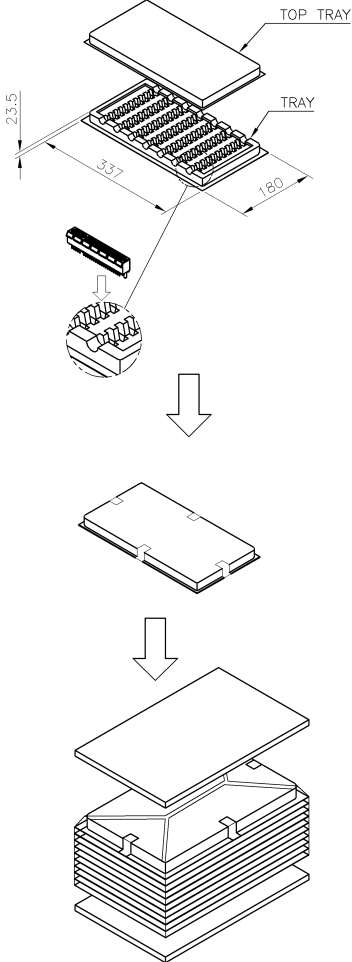
3

2

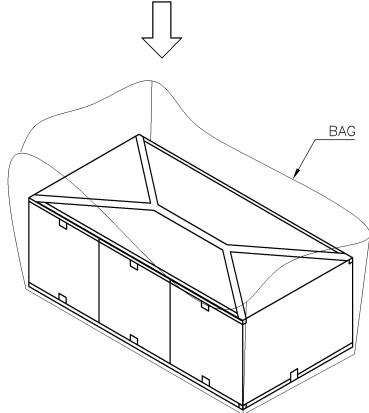
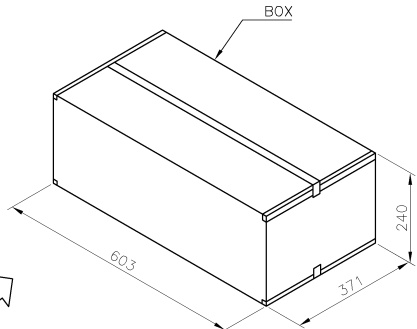
1

THIS DRAWING IS UNPUBLISHED. RELEASED FOR PUBLICATION AUG. 2006.
 © COPYRIGHT BY TYCO ELECTRONICS CORPORATION. ALL RIGHTS RESERVED.

LOC		DIST		REVISIONS			
P	LTR	DESCRIPTION	DATE	DWN	APVD		
SEE SHEET 1.							



- NOTES :
- MATERIAL :
 TRAY : PVC, COLOR: TRANSPARENT.
 CARTON: CORRUGATED FIBER
 BOX : CORRUGATED FIBER
 - DIMENSION :
 TRAY: SEE DRAWING
 CARTON: SEE DRAWING
 BOX : SEE DRAWING
 - QUANTITY : SEE TABLE
 - WEIGHT : SEE TABLE



10.2 Kg	8.2 Kg	30	10	3	900	164
9.0 Kg	7.0 Kg	40	10	3	1200	98
8.5 Kg	6.5 Kg	60	10	3	1800	64
7.6 Kg	5.6 Kg	70	10	3	2100	36
GROSS WEIGHT	NET WEIGHT	PCS/ TRAY	TRAY/ CARTON	CARTON/ BOX	PCS/ BOX	POS.

DIMENSIONS:		TOLERANCES UNLESS OTHERWISE SPECIFIED:	
MM		0 PLC	± -
		1 PLC	± -
		2 PLC	± -
		3 PLC	± -
		4 PLC	± -
		ANGLES	± -
MATERIAL		FINISH	

STE TE Connectivity

NAME: PCI EXPRESS CARD EDGE CONNECTOR VERTICAL, DIP TYPE, 3GIO

SIZE: A3 CAGE CODE: 00779 DRAWING NO: C-1734774

RESTRICTED TO: []

CUSTOMER DRAWING

SCALE: [] SHEET: 4 of 4 REV: F4