



Sullins Card Edge

.050" [1.27 mm] Contact Centers, .610" [15.49 mm] Insulator Height
[MCA] Dip Solder/Card Extender/SMT

Industry Standard Part

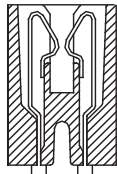
SPECIFICATIONS

- Accommodates .062" ± .008" [1.57 ± .20] PC board (Consult factory for other board thicknesses)
- PPS or PA9T insulator
- Molded-in key available
- High reliability/high cycle hairpin bellows contact
- 1 amp current rating per contact
- 150 grams normal force minimum
- UL Flammability Rating: 94V-0



Sullins Card Edge

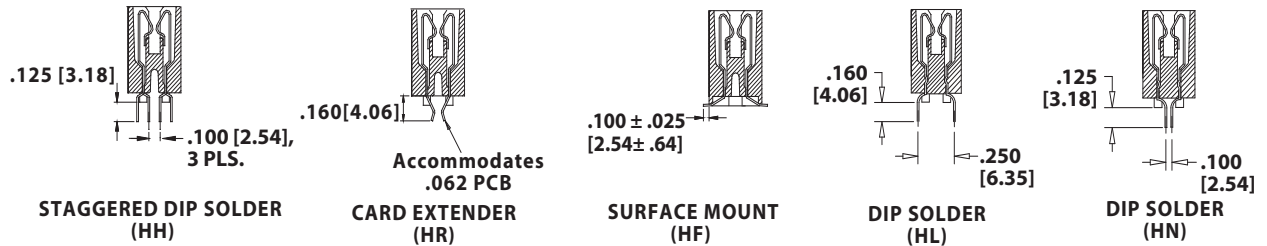
READOUT



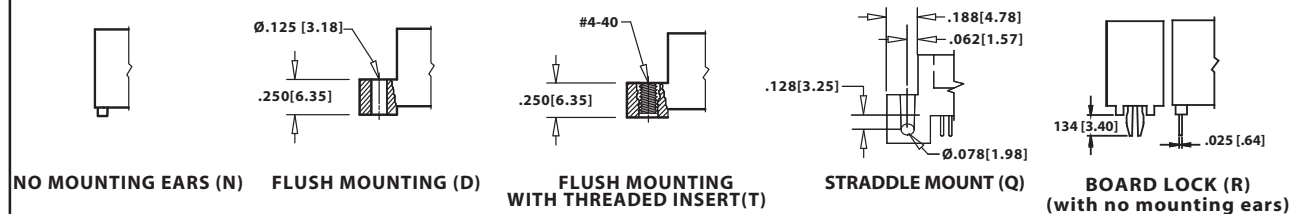
DUAL (D)

TERMINATION TYPE

Consult Factory for PC Board Layouts



MOUNTING STYLE





.050" [1.27 mm] Contact Centers, .610" [15.49 mm] Insulator Height [MCA] Dip Solder/Card Extender/SMT

Industry Standard Part

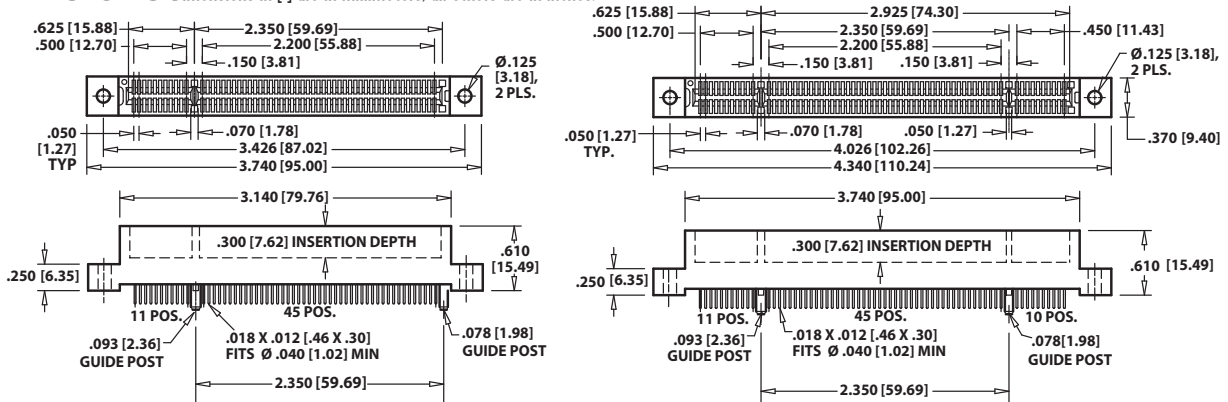
Sullins Card Edge

PART NUMBER OPTIONS

<p>MATERIALS (Insulator/Contact)</p> <p>G = PA9T/Phosphor Bronze R = PPS/Phosphor Bronze J = PA9T/Beryllium Copper A = PPS/Beryllium Copper</p> <p>CONTACT FINISH - RoHS Compliant</p> <p>All platings are Lead Free and have .000050" Nickel underplate</p> <p>Contact Surface Termination</p> <p>B = .000010" Gold .000100" Pure Tin, Matte C = .000030" Gold .000100" Pure Tin, Matte</p> <p>CONTACT CENTERS</p> <p>B = .050" [1.27mm]</p> <p>NUMBER OF CONTACT POSITIONS</p> <p>56, 66, 91, 106</p>	<p>G B B 56 D HH D - S578</p> <p>MODIFICATION (Consult Factory)</p> <p>-S578 = Card Slot Barriers With Guide Posts -S621 = Card Slot Barriers Without Guide Posts</p> <p>MOUNTING STYLE</p> <p>N = No Mounting D = Flush Mounting T = Flush Mounting With Threaded Insert Q = Straddle Mount (Card Extender Only) R = Metal Board Lock</p> <p>TERMINATION TYPE</p> <p>HH = Staggered Dip Solder HR = Card Extender HF = Surface Mount HL = .250" [6.35mm] x .160" [4.06mm] Dip Solder HN = .100" [2.54mm] x .125" [3.18mm] Dip Solder <i>(REPLACES TERMINATIONS: CH, CR, CF, CL, CN)</i></p> <p>READOUT</p> <p>D = Dual</p>
--	--

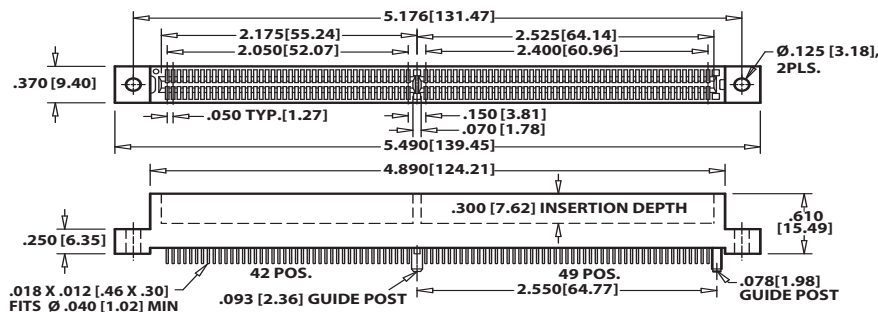
DIMENSIONS

Dimensions in [] are in millimeters, all others are in inches.

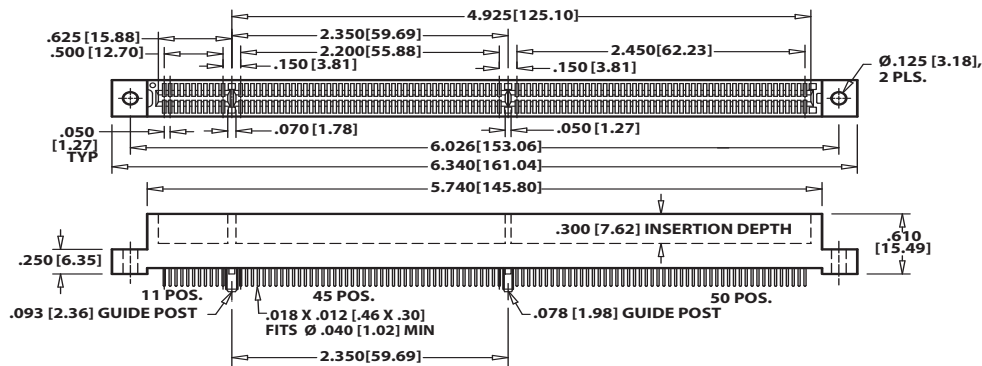


GBB56DHHD-S578, 56 (11/45) POSITIONS

GBB66DHHD-S578, 66 (11/45/10) POSITIONS



GBB91DHHD-S578, 91 (42/49) POSITIONS



GBB106DHHD-S578, 106 (11/45/50) POSITIONS