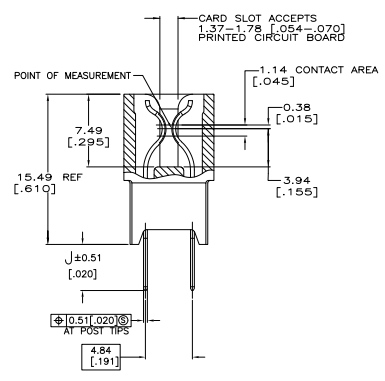
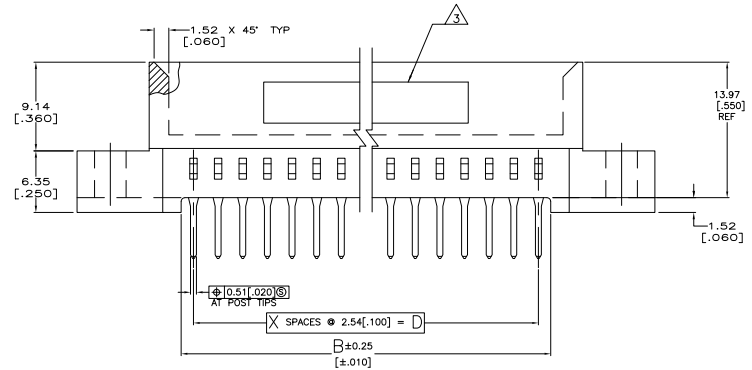
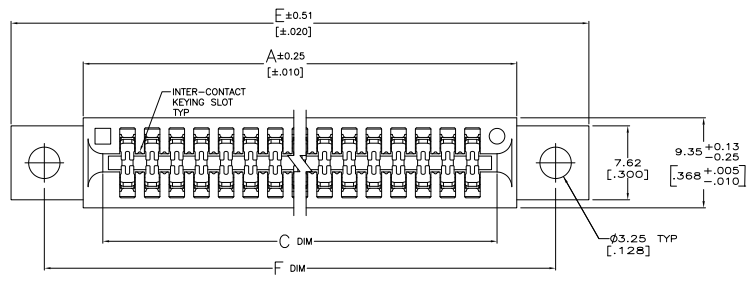


THIS DRAWING IS UNPUBLISHED. ALL RIGHTS RESERVED.
 © 2008 BY TTI ELECTRONICS CORPORATION. ALL RIGHTS RESERVED.

REV	DATE	DESCRIPTION	BY	APP'D
AA	00			
AB	ECO-07-02835		DRW#2108	LAM/JWF
AB1	REVISED PER ECO-09-021828		11JAN10	KK/AEG

- MATERIAL:
HOUSING: GLASS FILLED POLYESTER; COLOR: BLACK.
CONTACT: PHOS BRONZE
- FINISH:
0.00076[.00030] MIN IN CONTACT AREA.
0.00254[.00100] MIN TIN-LEAD ON SOLDER POSTS, ALL
OVER 0.00127[.00050] MIN NICKEL
- AMP LOGO, TE PART NUMBER, DATE CODE AND CSA LOGO INK
STAMPED WHITE (HOT STAMPED OR LAZER PRINTED) IN THE APPROXIMATE
AREA SHOWN, EITHER SIDE PERMISSABLE, WHEN HOUSING SIZE PERMITS
- RECOMMENDED PCB FINISHED HOLE DIAMETER = 1.02±0.08
[.040±.003]
- OBsolete PARTS: OBSOLETE CIS STREAMLINING PER D.RENAUD/D.SINISI



OBsolete	4-530841-5
OBsolete	4-530841-3
OBsolete	2-530841-5
OBsolete	530841-3
	PART NUMBER

⚠ SUPERSEDED BY 1-5530841-1											
4.75	90.80	97.41	73.66	78.74	76.20	82.80	29	30	1-530841-8		
[.187]	[3.575]	[3.835]	[2.900]	[3.100]	[3.000]	[3.260]					
3.18	141.60	148.21	124.46	129.54	127.00	133.60	49	50	1-530841-1		
[.125]	[5.575]	[5.835]	[4.900]	[5.100]	[5.000]	[5.260]					
3.18	78.10	84.71	60.96	66.04	63.50	70.10	24	25	530841-5		
[.125]	[3.075]	[3.335]	[2.400]	[2.600]	[2.500]	[2.760]					
3.18	52.70	59.31	35.56	40.64	38.10	44.70	14	15	530841-2		
[.125]	[2.075]	[2.335]	[1.400]	[1.600]	[1.500]	[1.760]					
J	F	E	D	C	B	A	X		NO OF POSN		
									PART NUMBER		

THIS DRAWING IS A CONTROLLED DOCUMENT.				TTI ELECTRONICS CORPORATION HARRISBURG, PA 17105-3608	
DIMENSIONS IN INCHES DECIMALS FRACTIONS ANGLES UNLESS OTHERWISE SPECIFIED	UNLESS OTHERWISE SPECIFIED FINISHES SURFACE UNLESS OTHERWISE SPECIFIED	UNLESS OTHERWISE SPECIFIED MATERIALS UNLESS OTHERWISE SPECIFIED	UNLESS OTHERWISE SPECIFIED TOLERANCES UNLESS OTHERWISE SPECIFIED	UNLESS OTHERWISE SPECIFIED TITLES UNLESS OTHERWISE SPECIFIED	UNLESS OTHERWISE SPECIFIED PARTS UNLESS OTHERWISE SPECIFIED
SEE NOTE 1	SEE NOTE 2	SEE NOTE 3	SEE NOTE 4	SEE NOTE 5	SEE NOTE 6
CUSTOMER DRAWING			DRAWING NO 114-13018	DATE 108-9039	PART NUMBER 530841