

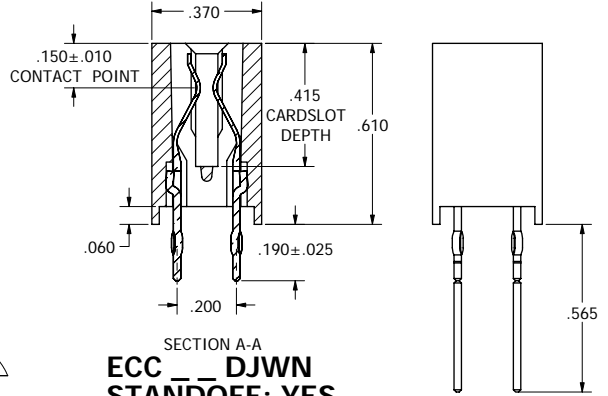
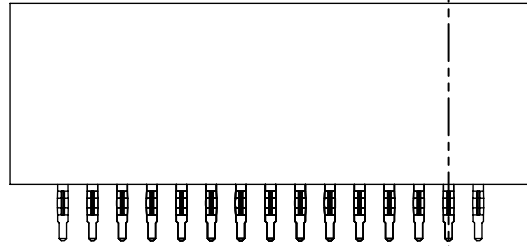
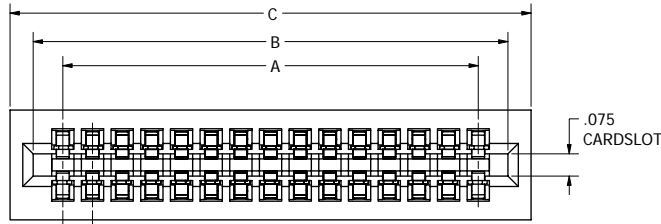
**PRESS FIT
PART NUMBER CODING**

ECC _ D _ N-S1136

MODIFICATION
OMIT FOR STANDARD
S1136 = WITH SCOOPS (SEE PAGE 3 AND 4)

TERMINATION
JB = NO STANDOFF, .190 TAIL LENGTH (SEE PAGE 2)
JC = NO STANDOFF, .625 TAIL LENGTH (SEE PAGE 2)
JW = WITH STANDOFF, .190 TAIL LENGTH
JX = WITH STANDOFF, .565 TAIL LENGTH

NUMBER OF POSITIONS

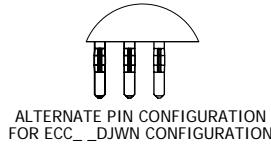


SECTION A-A
ECC _ DJWN
STANDOFF: YES
SCOOP: NO

ECC _ DJXN
STANDOFF: YES
SCOOP: NO

NOTES:

- INSULATOR MATERIAL: PBT
- CONTACT MATERIAL: PHOSPHOR BRONZE
- PLATING: .000050 NICKEL UNDERPLATE
.000030 GOLD ON CONTACT SURFACE
.000100 PURE TIN, MATTE, ON TERMINATION
- TEMPERATURE: -65 °C TO +125 °C
- UL FLAMMABILITY RATING: 94V-0
- VOLTAGE RATING: 600 VDC MINIMUM AT SEA LEVEL.
- CURRENT RATING: 3 AMP PER CONTACT PAIR
- VOLTAGE DROP: 30 MILLI VOLT AT RATED CURRENT
- INSULATION RESISTANCE: 5000 MEGA OHM
- CONNECTOR IDENTIFICATION: THE PART SHALL BE MARKED WITH A PART NUMBER AND BARCODE
- BOARD THICKNESS ACCOMMODATED: .062 ± .008" [1.57 ± 0.20]
- BOARD INSERTION FORCE: 16 OZ MAX PER CONTACT PAIR WHEN USING A .062" [1.57] TEST BLADE. INTERNAL INSPECTION TO BE PER SULLIN'S WORK INSTRUCTION W17.3-01.
- BOARD WITHDRAWAL FORCE: 1 OUNCE MINIMUM PER CONTACT PAIR USING .062" [1.57] PCB
- COMPLIANT SECTION INSERTION FORCE: 40 LBS MAX. PER CONTACT.
- COMPLIANT SECTION WITHDRAW FORCE: 10 LBS MIN. PER CONTACT.
- HOLE SIZE REQUIREMENTS:
DRILLED HOLE DIAMETER: .0453 ± .0010 [1.150 ± 0.025]
PLATING: .001 [1.15] TO .003 [0.076] COPPER.
.0003 MINIMUM TIN.
FINISHED HOLE DIAMETER: .040 ± .003 [1.020 ± 0.077]
- RECOMMENDED MOTHER BOARD THICKNESS: .093 [2.36] TO .125 [3.18] THICK.
- MODIFICATION: SEE PART NUMBER CODING.

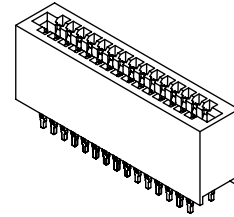


ALTERNATE PIN CONFIGURATION FOR ECC _ DJWN CONFIGURATION



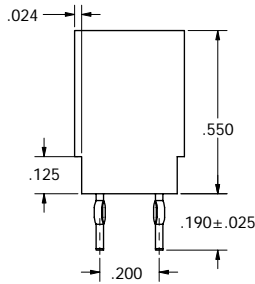
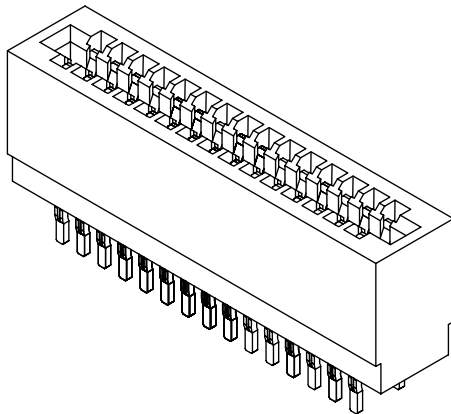
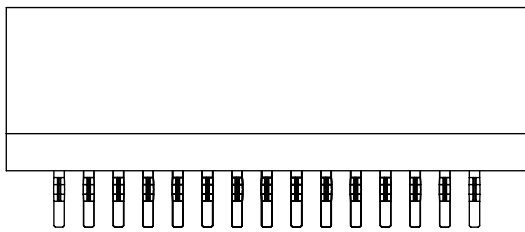
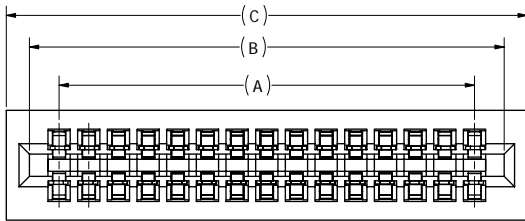
RoHS COMPLIANT

| REVISIONS | | | | |
|-----------|---------|--|------------|-----|
| REV. | ECO. NO | DESCRIPTION | DATE | BY |
| A | 1016 | INITIAL RELEASE | 05/04/06 | MNH |
| B | 1155 | CHANGED SCOOP FROM .141 TO .129 | 9/22/06 | TT |
| C | 1214 | SHOW ALTERNATE PIN CONFIGURATION ON PAGE 1 FOR DJWN SERIES CONNECTOR | 12/13/2006 | MNH |

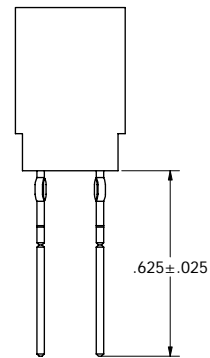


CUSTOMER COPY

| | | | | |
|--|--|---|------|---|
| UNLESS OTHERWISE SPECIFIED: DIMENSIONS ARE IN INCHES(MM) | | DATE | NAME | SULLIN'S ELECTRONICS THE INFORMATION HEREIN CONTAINS PROPRIETARY INFORMATION OF SULLIN'S ELECTRONICS AND IS NOT TO BE REPRODUCED, USED OR DISCLOSED TO OTHERS FOR ANY PURPOSE EXCEPT AS SPECIFICALLY AUTHORIZED IN WRITING BY AN OFFICER OF SULLIN'S ELECTRONICS. INTERPRET DIMENSIONS AND GEOMETRIC TOLERANCING PER: ANSI Y14.5-1984 |
| TOLERANCES: ANGULAR: ± 1° XX-± .02 [508] XXX-± .005 [1270] XXXX-± .0005 [0127] PARENTHETICAL INFORMATION IS FOR REFERENCE ONLY | | DRAWN | MNH | |
| TOLERANCING PER: ANSI Y14.5-1984 | | SECTION DWG EDGE CARD, .100CC PRESS FIT PART NUMBER ECC _ DJ_N, ECC _ DJ_N-S1136 | | SIZE C |
| DWG. NO. C10713 | | REV C | | SCALE: 4:1 SHEET 1 OF 5 |



**ECC __ DJBN
STANDOFF: NO
SCOOP: NO**



**ECC __ DJCN
STANDOFF: NO
SCOOP: NO**

CUSTOMER COPY



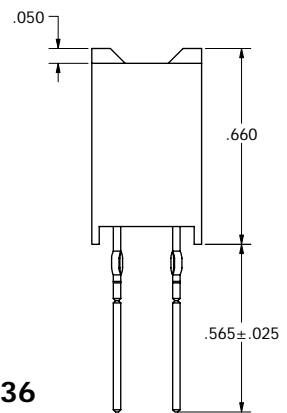
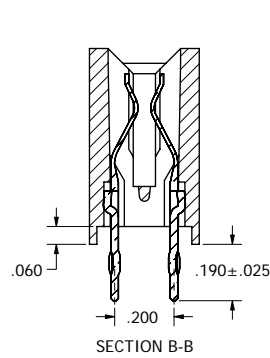
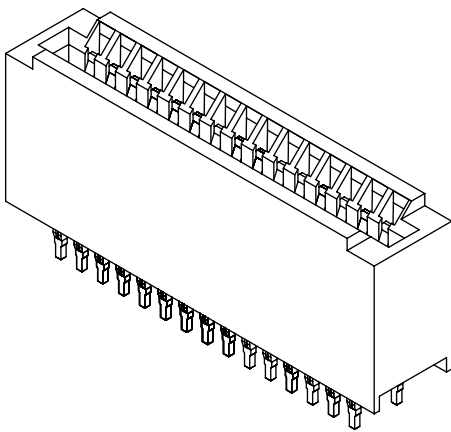
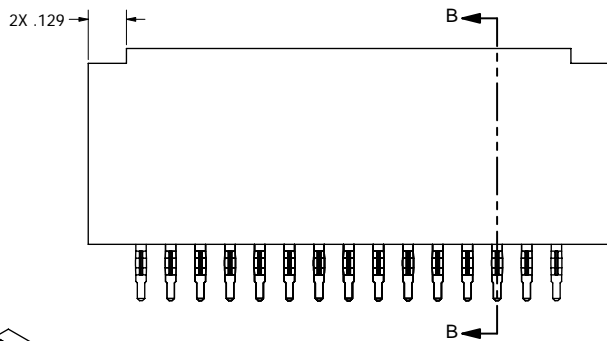
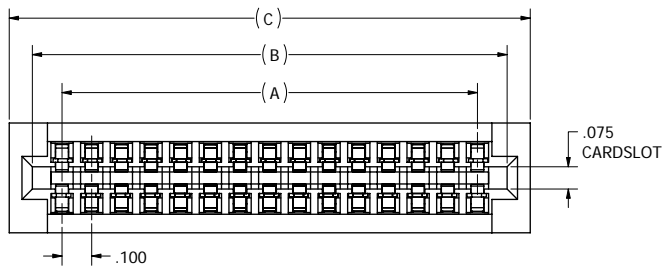
RoHS COMPLIANT

UNLESS OTHERWISE SPECIFIED:
DIMENSIONS ARE IN INCHES(MM)
TOLERANCES:
ANGULAR: ± 1°
XX = ± .02 [.508]
XXX = ± .005 [.1270]
XXXX = ± .0005 [.0127]
PARENTHETICAL INFORMATION IS FOR REFERENCE ONLY
INTERPRET DIMENSIONS AND GEOMETRIC TOLERANCING PER: ANSI Y14.5-1984

| DATE | NAME |
|------|------|
| | MNH |

THE INFORMATION HEREIN CONTAINS PROPRIETARY INFORMATION OF SULLINS ELECTRONICS AND IS NOT TO BE REPRODUCED, USED OR DISCLOSED TO OTHERS FOR ANY PURPOSE EXCEPT AS SPECIFICALLY AUTHORIZED IN WRITING BY AN OFFICER OF SULLINS ELECTRONICS.

| | |
|----------------------------|--------------------------------|
| SULLINS ELECTRONICS | |
| SECTION/DWG | EDGE CARD, .100CC PRESS FIT |
| PART NUMBER | ECC __ DJ_N, ECC __ DJ_N-S1136 |
| SIZE | DWG. NO. |
| C | C10713 |
| SCALE: 4:1 | REV |
| | C |
| SHEET 2 OF 5 | |



ECC __ DJWN-S1136
STANDOFF: YES
SCOOP: YES

ECC __ DJXN-S1136
STANDOFF: YES
SCOOP: YES

CUSTOMER COPY

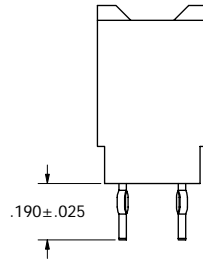
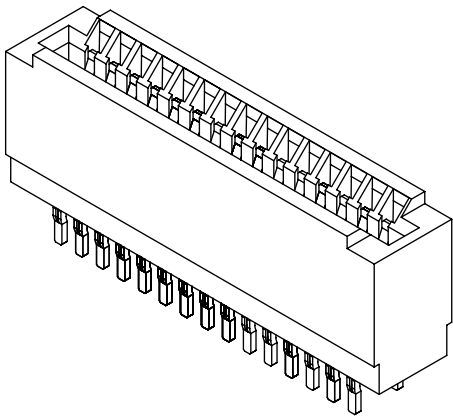
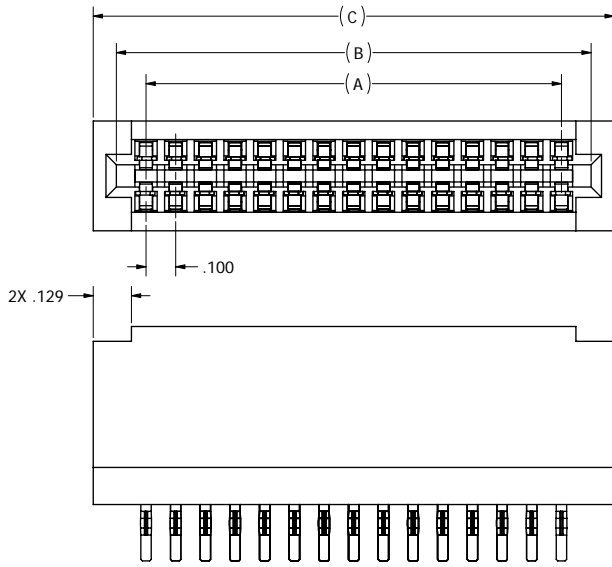


RoHS COMPLIANT

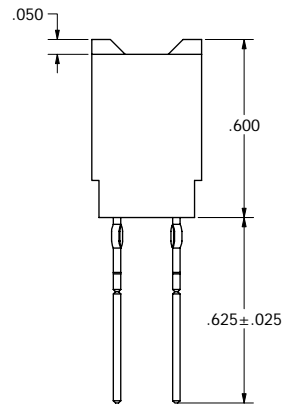
UNLESS OTHERWISE SPECIFIED:
 DIMENSIONS ARE IN INCHES(MM)
 TOLERANCES:
 ANGULAR: ± 1°
 XX = ± .02 [508]
 XXX = ± .005 [1270]
 XXXX = ± .0005 [0127]
 PARENTHETICAL INFORMATION IS FOR
 REFERENCE ONLY
 INTERPRET DIMENSIONS AND GEOMETRIC
 TOLERANCING
 PER: ANSI Y14.5-1984

| DRAWN | DATE | NAME |
|-------|------|------|
| | | MNH |

| | |
|---|--------------------|
| SULLINS ELECTRONICS | |
| DESCRIPTION EDGE CARD, .100CC PRESS FIT | |
| PART NUMBER ECC __ DJ_N, ECC __ DJ_N-S1136 | |
| SIZE C | DWG. NO. C10713 |
| SCALE: 4:1 | REV C |
| SHEET 3 OF 5 | |



ECC __ DJBN-S1136
STANDOFF: NO
SCOOP: YES



ECC __ DJCN-S1136
STANDOFF: NO
SCOOP: YES

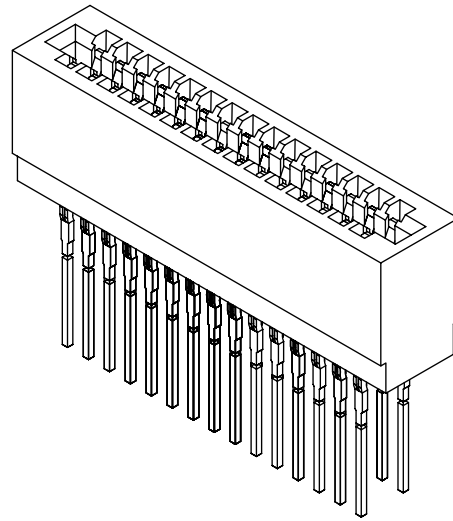
CUSTOMER COPY



RoHS COMPLIANT

| | | | | | |
|---|--|--|--|----------|--------------|
| UNLESS OTHERWISE SPECIFIED: DIMENSIONS ARE IN INCHES(MM) | | | DATE | | NAME |
| TOLERANCES: | | | DRAWN | | MNH |
| ANGULAR: $\pm 1^\circ$ | | | THE INFORMATION HEREIN CONTAINS PROPERTY INFORMATION OF SULLINS ELECTRONICS AND IS NOT TO BE REPRODUCED, USED OR DISCLOSED TO OTHERS FOR ANY PURPOSE EXCEPT AS SPECIFICALLY AUTHORIZED IN WRITING BY AN OFFICER OF SULLINS ELECTRONICS. | | |
| XX = $\pm .02$ [508] | | | SECTION VIEW | | |
| XXX = $\pm .005$ [1270] | | | EDGE CARD, .100CC PRESS FIT | | |
| XXXX = $\pm .0005$ [0127] | | | PART NUMBER | | |
| PARENTHETICAL INFORMATION IS FOR REFERENCE ONLY | | | ECC __ DJ_N, ECC __ DJ_N-S1136 | | |
| INTERPRET DIMENSIONS AND GEOMETRIC TOLERANCING PER: ANSI Y14.5-1984 | | | SIZE | DWG. NO. | REV |
| | | | C | C10713 | C |
| | | | SCALE: 4:1 | | SHEET 4 OF 5 |

| PART NUMBER | NO. OF POSITIONS | A±.008[0.20] | | B±.008[0.20] | | C±.15[0.38] | |
|-------------|------------------|--------------|--------|--------------|--------|-------------|--------|
| | | INCH | MM | INCH | MM | INCH | MM |
| ECC05D__N | 5 | 0.400 | 10.16 | 0.600 | 15.24 | 0.756 | 19.20 |
| ECC06D__N | 6 | 0.500 | 12.70 | 0.700 | 17.78 | 0.856 | 21.74 |
| ECC07D__N | 7 | 0.600 | 15.24 | 0.800 | 20.32 | 0.956 | 24.28 |
| ECC08D__N | 8 | 0.700 | 17.78 | 0.900 | 22.86 | 1.056 | 26.82 |
| ECC09D__N | 9 | 0.800 | 20.32 | 1.000 | 25.40 | 1.156 | 29.36 |
| ECC10D__N | 10 | 0.900 | 22.86 | 1.100 | 27.94 | 1.256 | 31.90 |
| ECC11D__N | 11 | 1.000 | 25.40 | 1.200 | 30.48 | 1.356 | 34.44 |
| ECC12D__N | 12 | 1.100 | 27.94 | 1.300 | 33.02 | 1.456 | 36.98 |
| ECC13D__N | 13 | 1.200 | 30.48 | 1.400 | 35.56 | 1.556 | 39.52 |
| ECC14D__N | 14 | 1.300 | 33.02 | 1.500 | 38.10 | 1.656 | 42.06 |
| ECC15D__N | 15 | 1.400 | 35.56 | 1.600 | 40.64 | 1.756 | 44.60 |
| ECC16D__N | 16 | 1.500 | 38.10 | 1.700 | 43.18 | 1.856 | 47.14 |
| ECC17D__N | 17 | 1.600 | 40.64 | 1.800 | 45.72 | 1.956 | 49.68 |
| ECC18D__N | 18 | 1.700 | 43.18 | 1.900 | 48.26 | 2.056 | 52.22 |
| ECC19D__N | 19 | 1.800 | 45.72 | 2.000 | 50.80 | 2.156 | 54.76 |
| ECC20D__N | 20 | 1.900 | 48.26 | 2.100 | 53.34 | 2.256 | 57.30 |
| ECC21D__N | 21 | 2.000 | 50.80 | 2.200 | 55.88 | 2.356 | 59.84 |
| ECC22D__N | 22 | 2.100 | 53.34 | 2.300 | 58.42 | 2.456 | 62.38 |
| ECC23D__N | 23 | 2.200 | 55.88 | 2.400 | 60.96 | 2.556 | 64.92 |
| ECC24D__N | 24 | 2.300 | 58.42 | 2.500 | 63.50 | 2.656 | 67.46 |
| ECC25D__N | 25 | 2.400 | 60.96 | 2.600 | 66.04 | 2.756 | 70.00 |
| ECC26D__N | 26 | 2.500 | 63.50 | 2.700 | 68.58 | 2.856 | 72.54 |
| ECC27D__N | 27 | 2.600 | 66.04 | 2.800 | 71.12 | 2.956 | 75.08 |
| ECC28D__N | 28 | 2.700 | 68.58 | 2.900 | 73.66 | 3.056 | 77.62 |
| ECC29D__N | 29 | 2.800 | 71.12 | 3.000 | 76.20 | 3.156 | 80.16 |
| ECC30D__N | 30 | 2.900 | 73.66 | 3.100 | 78.74 | 3.256 | 82.70 |
| ECC31D__N | 31 | 3.000 | 76.20 | 3.200 | 81.28 | 3.356 | 85.24 |
| ECC32D__N | 32 | 3.100 | 78.74 | 3.300 | 83.82 | 3.456 | 87.78 |
| ECC33D__N | 33 | 3.200 | 81.28 | 3.400 | 86.36 | 3.556 | 90.32 |
| ECC34D__N | 34 | 3.300 | 83.82 | 3.500 | 88.90 | 3.656 | 92.86 |
| ECC35D__N | 35 | 3.400 | 86.36 | 3.600 | 91.44 | 3.756 | 95.40 |
| ECC36D__N | 36 | 3.500 | 88.90 | 3.700 | 93.98 | 3.856 | 97.94 |
| ECC37D__N | 37 | 3.600 | 91.44 | 3.800 | 96.52 | 3.956 | 100.48 |
| ECC38D__N | 38 | 3.700 | 93.98 | 3.900 | 99.06 | 4.056 | 103.02 |
| ECC39D__N | 39 | 3.800 | 96.52 | 4.000 | 101.60 | 4.156 | 105.56 |
| ECC40D__N | 40 | 3.900 | 99.06 | 4.100 | 104.14 | 4.256 | 108.10 |
| ECC41D__N | 41 | 4.000 | 101.60 | 4.200 | 106.68 | 4.356 | 110.64 |
| ECC42D__N | 42 | 4.100 | 104.14 | 4.300 | 109.22 | 4.456 | 113.18 |
| ECC43D__N | 43 | 4.200 | 106.68 | 4.400 | 111.76 | 4.556 | 115.72 |
| ECC44D__N | 44 | 4.300 | 109.22 | 4.500 | 114.30 | 4.656 | 118.26 |
| ECC45D__N | 45 | 4.400 | 111.76 | 4.600 | 116.84 | 4.756 | 120.80 |
| ECC46D__N | 46 | 4.500 | 114.30 | 4.700 | 119.38 | 4.856 | 123.34 |
| ECC47D__N | 47 | 4.600 | 116.84 | 4.800 | 121.92 | 4.956 | 125.88 |
| ECC48D__N | 48 | 4.700 | 119.38 | 4.900 | 124.46 | 5.056 | 128.42 |
| ECC49D__N | 49 | 4.800 | 121.92 | 5.000 | 127.00 | 5.156 | 130.96 |
| ECC50D__N | 50 | 4.900 | 124.46 | 5.100 | 129.54 | 5.256 | 133.50 |
| ECC51D__N | 51 | 5.000 | 127.00 | 5.200 | 132.08 | 5.356 | 136.04 |
| ECC52D__N | 52 | 5.100 | 129.54 | 5.300 | 134.62 | 5.456 | 138.58 |
| ECC53D__N | 53 | 5.200 | 132.08 | 5.400 | 137.16 | 5.556 | 141.12 |
| ECC54D__N | 54 | 5.300 | 134.62 | 5.500 | 139.70 | 5.656 | 143.66 |
| ECC55D__N | 55 | 5.400 | 137.16 | 5.600 | 142.24 | 5.756 | 146.20 |
| ECC56D__N | 56 | 5.500 | 139.70 | 5.700 | 144.78 | 5.856 | 148.74 |
| ECC57D__N | 57 | 5.600 | 142.24 | 5.800 | 147.32 | 5.956 | 151.28 |
| ECC58D__N | 58 | 5.700 | 144.78 | 5.900 | 149.86 | 6.056 | 153.82 |
| ECC59D__N | 59 | 5.800 | 147.32 | 6.000 | 152.40 | 6.156 | 156.36 |
| ECC60D__N | 60 | 5.900 | 149.86 | 6.100 | 154.94 | 6.256 | 158.90 |



CUSTOMER COPY



RoHS COMPLIANT

UNLESS OTHERWISE SPECIFIED:
 DIMENSIONS ARE IN INCHES(MM)
 TOLERANCES:
 ANGULAR: ± 1°
 XX = ± .02 [508]
 XXX = ± .005 [127]
 XXXX = ± .0005 [12.7]
 PARENTHETICAL INFORMATION IS FOR REFERENCE ONLY

INTERPRET DIMENSIONS AND GEOMETRIC TOLERANCING PER: ANSI Y14.5-1984

| DRAWN | DATE | NAME |
|-------|------|------|
| | | MNH |

THE INFORMATION HEREIN CONTAINS PROPRIETARY INFORMATION OF SULLINS ELECTRONICS AND IS NOT TO BE REPRODUCED, USED OR DISCLOSED TO OTHERS FOR ANY PURPOSE EXCEPT AS SPECIFICALLY AUTHORIZED IN WRITING BY AN OFFICER OF SULLINS ELECTRONICS.

SULLINS ELECTRONICS

EDGE CARD, .100CC PRESS FIT

PART NUMBER
 ECC__DJ_N, ECC__DJ_N-S1136

| SIZE | DWG. NO. | REV |
|------|----------|-----|
| C | C10713 | C |

SCALE: 4:1 SHEET 5 OF 5