

.050" [1.27mm] CONTACT CENTERS [PCI]

CANTILEVER CONTACT

T R W B 092 DKHN -T20

INSULATOR MATERIAL

T = PBT

CONTACT MATERIAL

P = Phosphor Bronze
R = Brass

PLATING

Contact Surface	Termination	Underplate
Z = .000010" Gold	.000100" Tin	.000050" Nickel
X = .000030" Gold	.000100" Tin	.000050" Nickel
W = .000005" Gold	.000100" Tin	.000050" Nickel

CONTACT CENTERS

B = .050" [1.27mm]

MODIFICATION

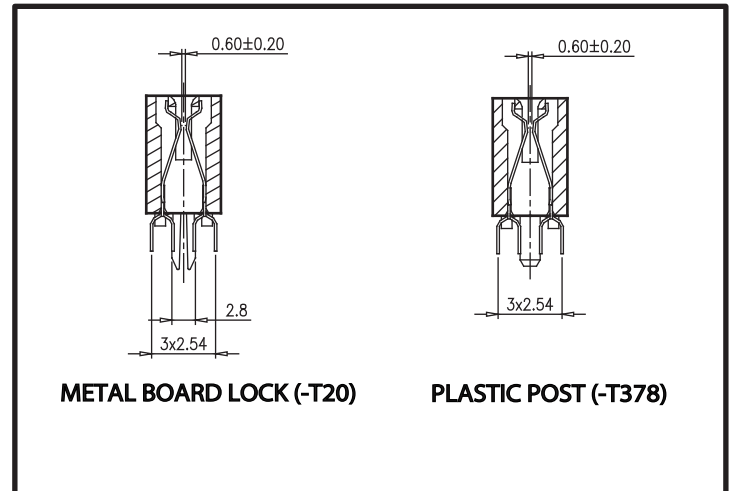
-T20 = PCI STYLE WITH METAL BOARD LOCK

-T378 = PCI STYLE WITH PLASTIC GUIDE POST

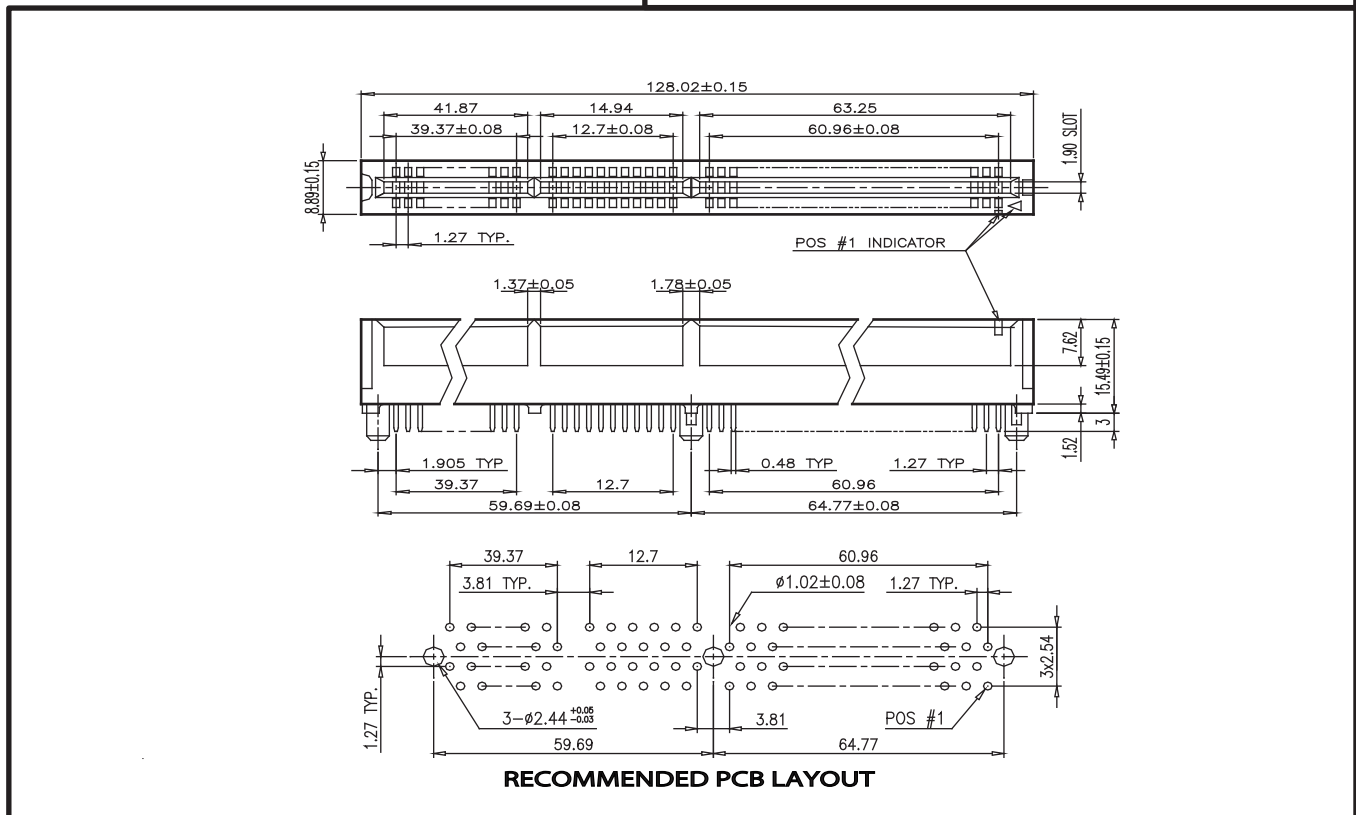
DKHN = Dual Row Cantilever Contacts, no Mounting Ears

FEATURES

- * Cantilever Contacts
- * 64 Bit, 5.0V
- * Accommodates .062 ± .008" PC board
(Consult factory for other board thicknesses)
- * PPS or PBT insulator UL94V-0
- * Molded-in key
- * 3 amp current rating
- * 150 grams normal force minimum
- * Voltage rating: 250 VAC RMS
- * Insulation resistance: 1,000 Megohms Min
- * Temperature range: -55 to +85
- * Consult Factory for More Details



Dimensions are in millimeters



RECOMMENDED PCB LAYOUT

