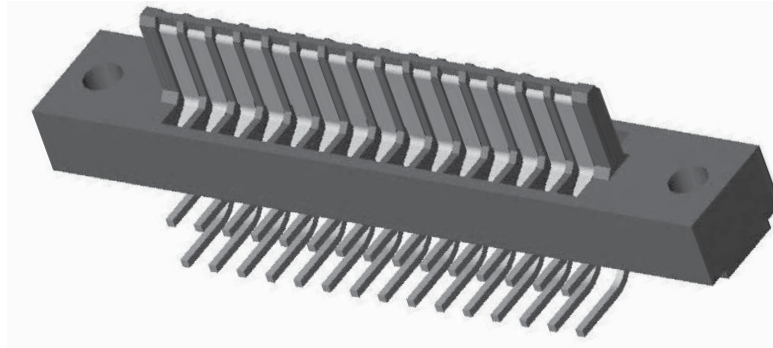




**.100" [2.54 mm] Contact Centers, .540" [13.72 mm] Insulator Height,
Male Edgecard, Dip Solder/Right Angle/Card Extender**

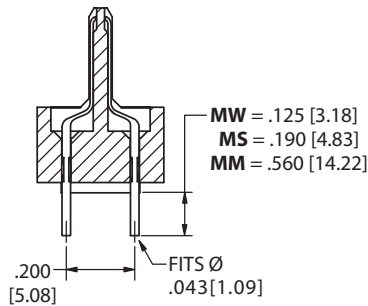
SPECIFICATIONS

- Compatible with .431" or .610" Insulator Height Edgecards
- Mates in place of .062" [1.57] PCB
- PBT or PA9T insulator
- 3 amp current rating per contact
- 30 milli ohm maximum at rated current
- Consult Factory for other Contact Centers

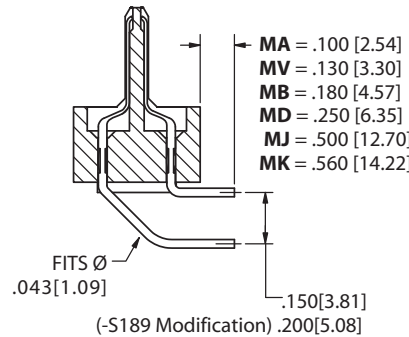


Sullins Edgecards

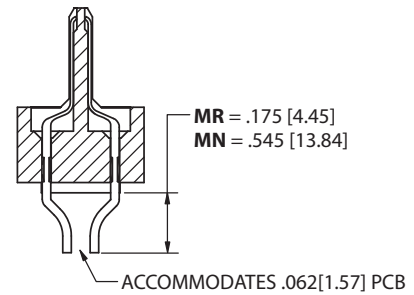
TERMINATION TYPE



**DIP SOLDER (MW, MS)
WIRE WRAP (MM)**

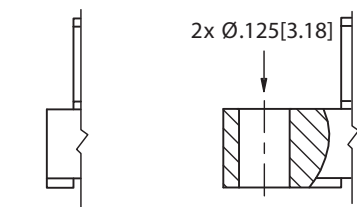


**RIGHT ANGLE
(MA, MV, MB, MD, MJ, MK)**

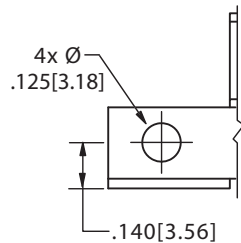


**CARD EXTENDER
(MR, MN)**

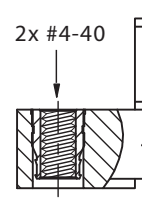
MOUNTING STYLE



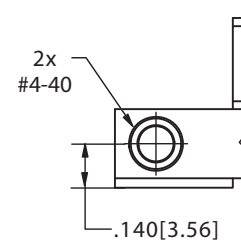
**NO MOUNTING (N)
FLUSH with CLEARANCE HOLES (D)**



FLUSH, SIDE MOUNTING with CLEARANCE HOLES (Z)



FLUSH with THREADED INSERT (T)



FLUSH, with SIDE MOUNTED THREADED INSERT (V)



.100" [2.54 mm] Contact Centers, .540" [13.72 mm] Insulator Height, Male Edgecard, Dip Solder/Right Angle/Card Extender

Sullins Edgecards

PART NUMBER CODING

E B C 25 M MW D - Sxxx

MATERIALS (Insulator/Contact)
 E = PBT/Phosphor Bronze
 Operating Temperature: -65°C to 125°C
 Processing Temperature: 260°C for 10 seconds Max.
 G = PA9T/Phosphor Bronze
 Operating Temperature: -65°C to 150°C
 Processing Temperature: 260°C for 120 seconds Max.

CONTACT FINISH - RoHS Compliant
All platings are Lead Free and have .000050" Nickel underplate
Contact Surface Termination
 B = .000010" Gold .000100" Pure Tin, Matte
 C = .000030" Gold .000100" Pure Tin, Matte
 Y = .000030" Gold .000005" Gold

CONTACT CENTERS
 C = .100" [2.54mm]

NUMBER OF CONTACT POSITIONS
 04 thru 60 Positions (Contact Factory for Positions Not Shown)

MODIFICATIONS (Consult Factory)
 Omit for Standard
 -S189 = .200" Row Spacing (Right Angle Only)

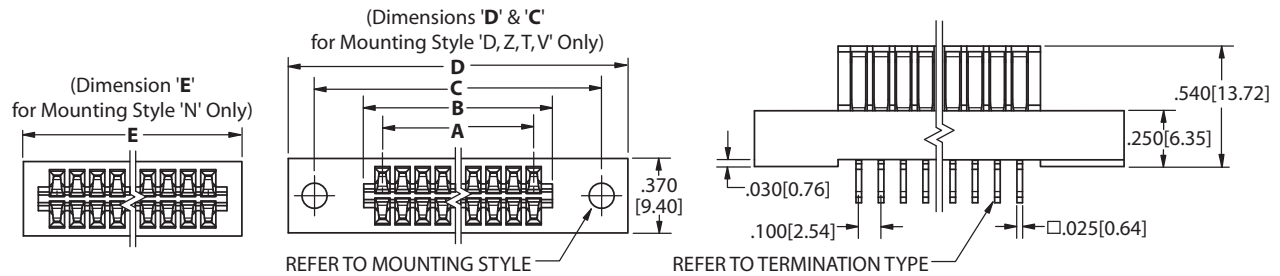
MOUNTING STYLE (Opposite Page)
 N = No Mounting
 D = .250" Ears, Flush Mounting, .125" [3.18mm] Dia
 Z = .250" Ears, Flush, Side Mounting
 T = .250" Ears, Flush Mounting, #4-40 Threaded Insert
 V = Flush, Side Mounting, #4-40 Threaded Insert

TERMINATION TYPE (Opposite Page)
 MW, MS = Dip Solder
 MM = Wire Wrap
 MA, MV, MB = Right Angle
 MD, MJ, MK = Right Angle
 MR, MN = Card Extender

M = Male Edgecard

DIMENSIONS

Dimensions in [] are in millimeters, all others are in inches.



POSITIONS/ CONTACTS	INCHES					[MILLIMETERS]				
	A±.008	B±.008	C±.010	D±.020	E±.020 'N' Mtg. Only	A±0.20	B±0.20	C±0.25	D±0.51	E±0.51 'N' Mtg. Only
04/08	0.300	0.486	0.975	1.236	0.656	7.62	12.34	24.77	31.39	16.66
05/10	0.400	0.586	1.075	1.336	0.756	10.16	14.88	27.31	33.93	19.20
06/12	0.500	0.686	1.175	1.436	0.856	12.70	17.42	29.85	36.47	21.74
07/14*	0.600	0.786	1.275	1.536	0.956	15.24	19.96	32.39	39.01	24.28
08/16*	0.700	0.886	1.375	1.636	1.056	17.78	22.50	34.93	41.55	26.82
10/20	0.900	1.086	1.575	1.836	1.256	22.86	27.58	40.01	46.63	31.90
12/24	1.100	1.286	1.775	2.036	1.456	27.94	32.66	45.09	51.71	36.98
13/26	1.200	1.386	1.875	2.136	1.556	30.48	35.20	47.63	54.25	39.52
15/30	1.400	1.586	2.075	2.336	1.756	35.56	40.28	52.71	59.33	44.60
17/34	1.600	1.786	2.275	2.536	1.956	40.64	45.36	57.79	64.41	49.68
18/36	1.700	1.886	2.375	2.636	2.056	43.18	47.90	60.33	66.95	52.22
19/38	1.800	1.986	2.475	2.736	2.156	45.72	50.44	62.87	69.49	54.76
20/40	1.900	2.086	2.575	2.836	2.256	48.26	52.98	65.41	72.03	57.30
22/44	2.100	2.286	2.775	3.036	2.456	53.34	58.06	70.49	77.11	62.38
23/46	2.200	2.386	2.875	3.136	2.556	55.88	60.60	73.03	79.65	64.92
24/48	2.300	2.486	2.975	3.236	2.656	58.42	63.14	75.57	82.19	67.46
25/50	2.400	2.586	3.075	3.336	2.756	60.96	65.68	78.11	84.73	70.00
28/56	2.700	2.886	3.375	3.636	3.056	66.04	70.76	83.19	89.81	75.08
30/60	2.900	3.086	3.575	3.836	3.256	73.68	78.32	90.81	97.43	82.70
31/62	3.000	3.186	3.675	3.936	3.356	76.22	80.86	93.35	99.97	85.24
35/70	3.400	3.586	4.075	4.336	3.756	86.36	91.00	103.51	110.13	95.40
36/72	3.500	3.686	4.175	4.436	3.856	88.90	93.54	106.05	112.67	97.94
40/80	3.900	4.086	4.575	4.836	4.256	99.06	103.78	116.21	122.83	108.10
43/86	4.200	4.386	4.875	5.136	4.556	106.68	111.40	123.83	130.45	115.72
44/88	4.300	4.486	4.975	5.236	4.656	109.22	113.94	126.37	132.99	118.26
49/98	4.800	4.986	5.475	5.736	5.156	121.92	126.64	139.07	145.69	130.96
50/100	4.900	5.086	5.575	5.836	5.256	124.46	129.18	141.61	148.23	133.50
52/104	5.100	5.286	5.775	6.036	5.456	129.54	134.26	146.69	153.31	138.58
55/110	5.400	5.586	6.075	6.336	5.756	137.16	141.88	154.31	160.93	146.20
56/112†	5.500	5.686	6.175	6.436	5.856	139.70	144.42	156.85	163.47	148.74
57/114†	5.600	5.786	6.275	6.536	5.956	142.24	146.96	159.39	166.01	151.28
58/116†	5.700	5.886	6.375	6.636	6.056	144.78	149.50	161.93	168.55	153.82
59/118†	5.800	5.986	6.475	6.736	6.156	147.32	152.04	164.47	171.09	156.36
60/120†	5.900	6.086	6.575	6.836	6.256	149.86	154.58	167.01	173.63	158.90

*Consult factory for availability

† Available in 'N' Mounting Only