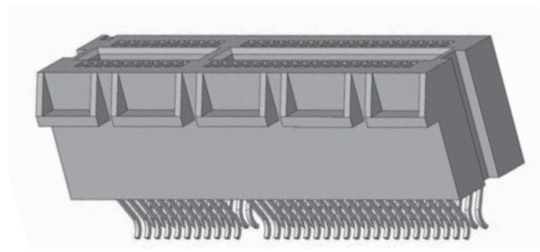




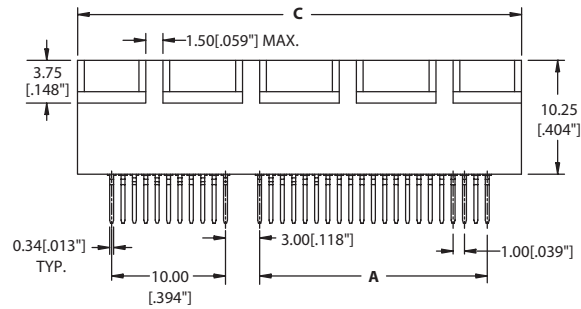
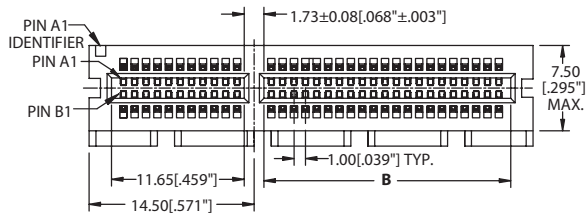
Sullins Card Edge

1.00 mm [.039"] Contact Centers, PCI Express, Card Extender for Straddle Mount

Sullins Card Edge

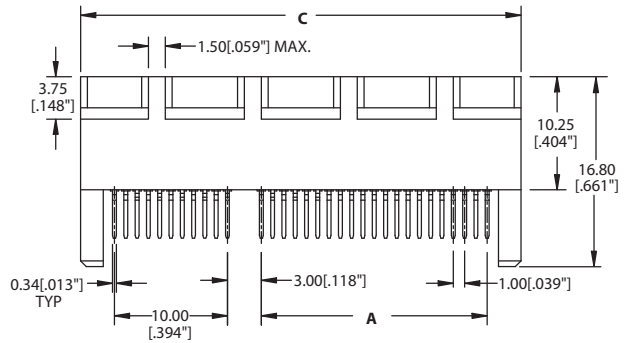
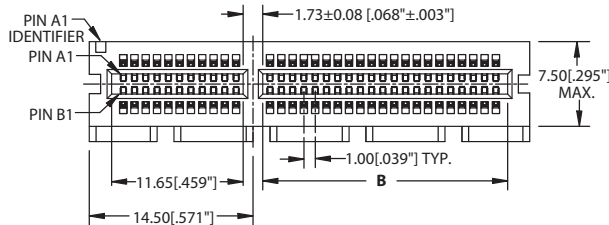


DIMENSIONS Dimensions in [] are in Inches, all others are in Millimeters



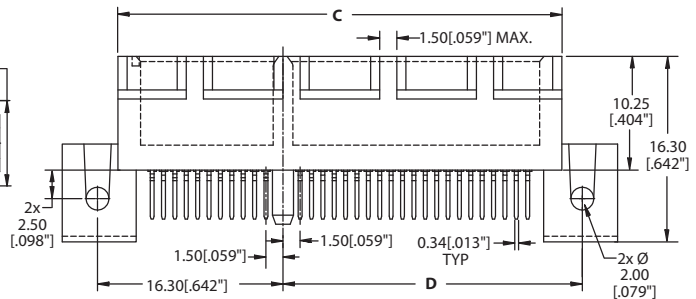
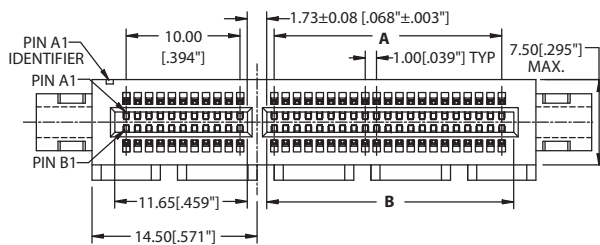
STRADDLE MOUNT

Example Part Number: **NBE18DHRN-T941**



STRADDLE MOUNT with PEGS

Example Part Number: **NBE18DHRN-T9410**



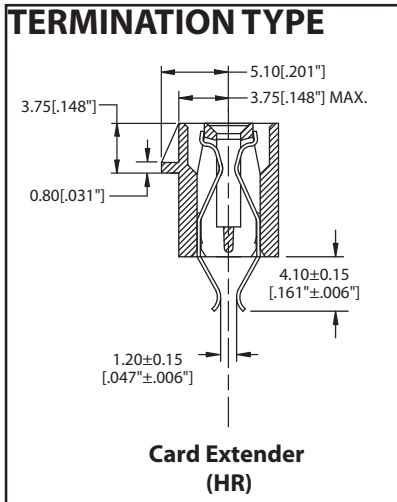
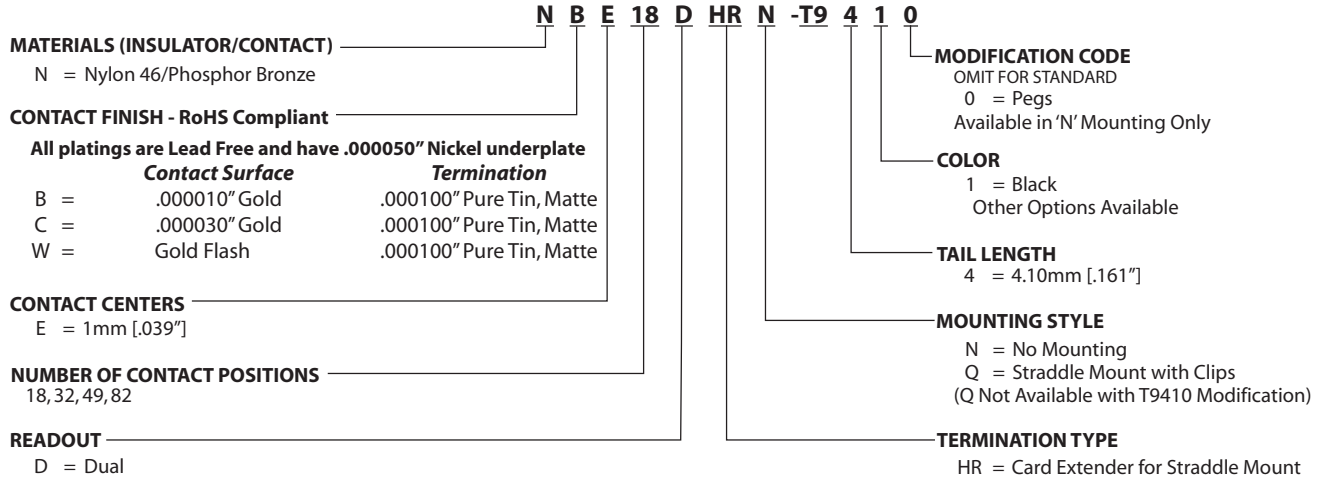
STRADDLE MOUNT with CLIPS

Example Part Number: **NBE18DHRQ-T941**

POSITIONS/ CONTACTS	MILLIMETERS				[INCHES]			
	A ± 0.15	B ± 0.15	C ± 0.15	D ± 0.15	A ± 0.006"	B ± 0.006"	C ± 0.006"	D ± 0.006"
18/36	6.00	7.65	25.00	12.30	0.236	0.301	0.984	0.484
32/64	20.00	21.65	39.00	26.30	0.787	0.852	1.535	1.035
49/98	37.00	38.65	56.00	43.30	1.457	1.522	2.205	1.705
82/164	70.00	71.65	89.00	76.30	2.756	2.821	3.504	3.004



PART NUMBER OPTIONS



SPECIFICATIONS

- All PCI Express parts meet the latest PCI Express specifications
- Supports 2.5 Gb/s Data Transfer Rate (per pair data bandwidth)
- Accommodates 1.57mm ± 0.20mm [.062" ± .008"] PC board
- Nylon46 insulator
- 1.1 amp current rating per contact
- UL Flammability Rating: 94V-0

