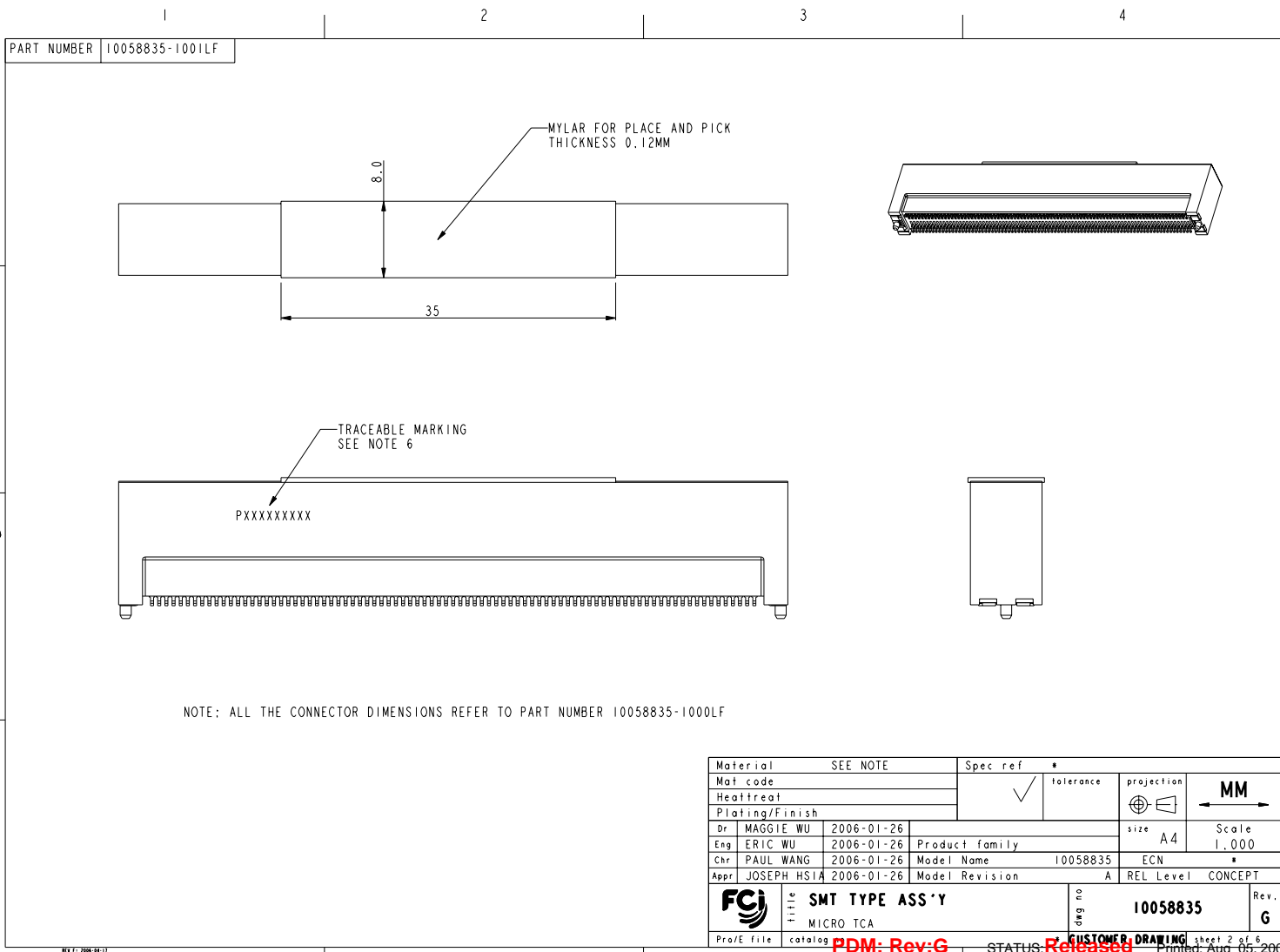


Mark with 10058835 REV. G in area indicated by X.....		Material	SEE NOTE	Spec ref	*
rev		Mat code		tolerance	projection
ecn no		Heat treat		✓	MM
dr		Plating/Finish		size	Scale
date		Dr	MAGGIE WU	2006-01-26	A4
A		Eng	ERIC WU	2006-01-26	1:000
B		Chr	PAUL WANG	2006-01-26	Product family
C		Appr	JOSEPH HSIA	2006-01-26	Model Name
D					10058835
E					ECN
F					*
G					REL Level
					CONCEPT
TOLERANCES UNLESS OTHERWISE SPECIFIED		FCI		SMT TYPE ASS'Y	
LINEAR	0.X	±0.3	title	MICRO TCA	
	0.XX	±0.20	Prof/E file	catlog	PDM: Rev:G
	0.XXX	±0.100	drawing no		10058835
ANGULAR	0°	±2°	Rev.		G
			STATUS: Released		CUSTOMER DRAWING

REV. F, 2006-04-11

Printed: Aug 05, 2009

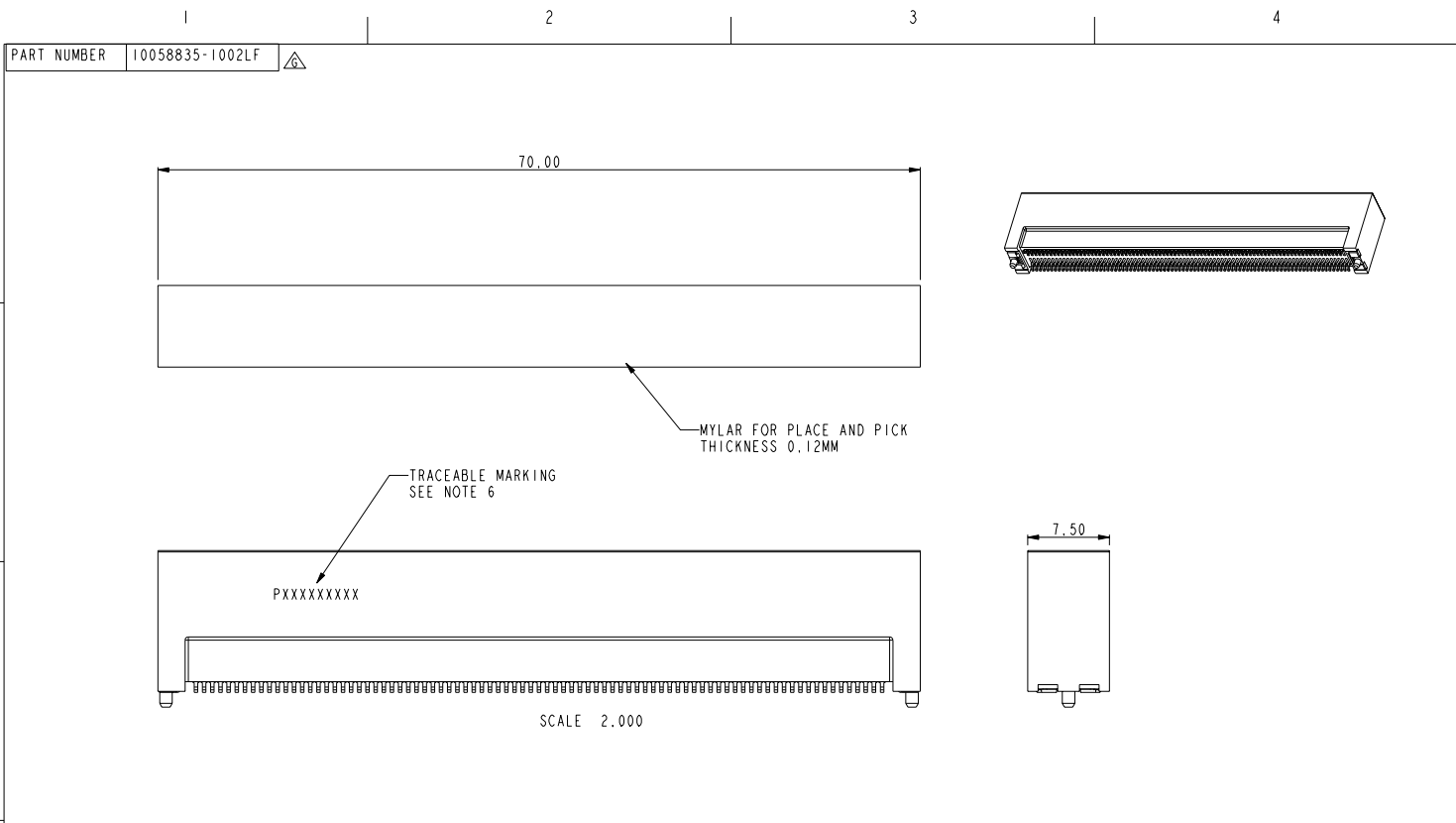


Material	SEE NOTE	Spec ref	*	tolerance	projection	MM
Mat code				✓	⊕	
Heat treat						
Plating/Finish						
Dr	MAGGIE WU	2006-01-26	Product family		size A4	Scale 1:000
Eng	ERIC WU	2006-01-26	Model Name	10058835	ECN	*
Chr	PAUL WANG	2006-01-26	Model Revision	A	REL Level	CONCEPT
Appr	JOSEPH HSIA	2006-01-26				
FCI	SMT TYPE ASS'Y		Part no	10058835		Rev. G
Pro/E file	catalog	MICRO TCA				

PDM: Rev:G STATUS: Released CUSTOMER DRAWING sheet 2 of 6 Printed: Aug 05, 2009



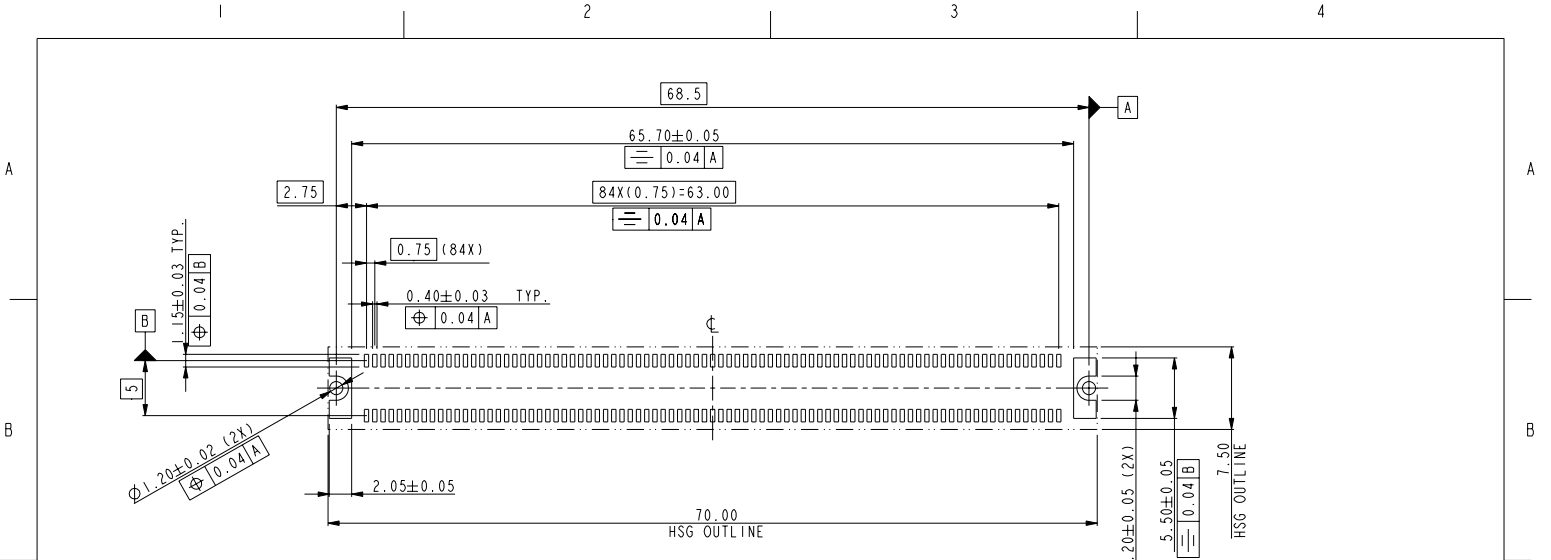
This document is the property of and embodies CONFIDENTIAL and PROPRIETARY information of FCI. No part of the information shown on this drawing may be disseminated, copied, or used in any form without the written consent of FCI. Copyright FCI.



NOTE: ALL THE CONNECTOR DIMENSIONS REFER TO PART NUMBER 10058835-1000LF

Material	SEE NOTE	Spec ref	*	tolerance	projection	MM
Mat code				✓	⊕	← MM →
Heat treat						
Plating/Finish						
Dr	MAGGIE WU	2006-01-26			size A4	Scale 1:000
Eng	ERIC WU	2006-01-26	Product family			
Chr	PAUL WANG	2006-01-26	Model Name	10058835	ECN	*
Appr	JOSEPH HSIA	2006-01-26	Model Revision	A	REL Level	CONCEPT
	title	SMT TYPE ASS'Y		Part no	10058835	
		MICRO TCA			Rev. G	
Pro/E file	catalog	PDM: Rev:G		STATUS: Released		CUSTOMER DRAWING

REV 12 2006-04-11



RECOMMENDED PCB LAYOUT
 (SEE PICMG MICROTCA BASE SPECIFICATION FOR DETAIL)

tolerance unless otherwise specified	
linear	.X ± .3
	.XX ± .2
	.XXX ± .1
angles	0° ± 2°



SMT TYPE ASS'Y
 MICRO TCA

Eng. no.

10058835

Rev.
G

PDM: Rev:G

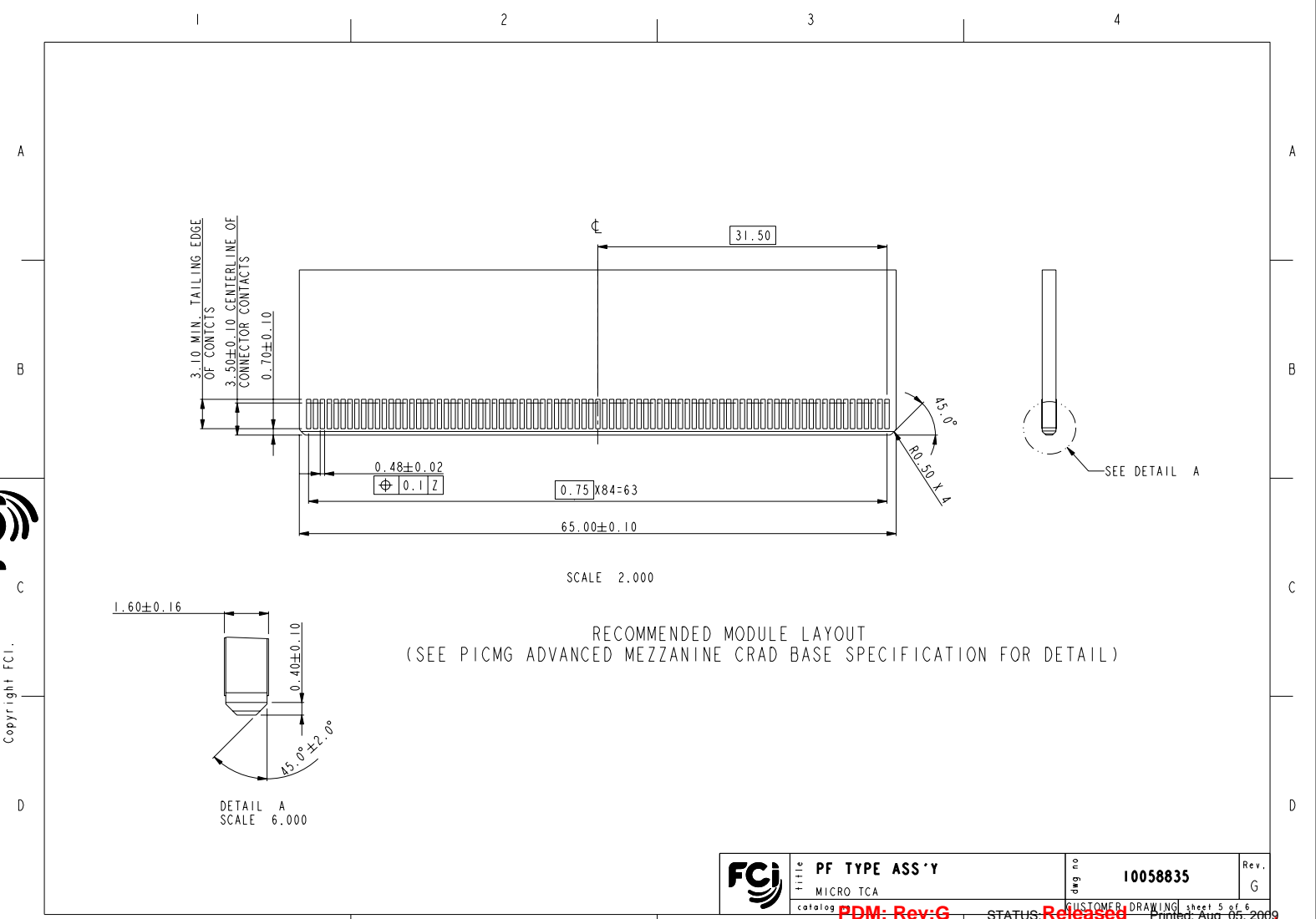
STATUS: Released

CUSTOMER DRAWING sheet 4 of 6
 Printed: Aug 05, 2009

REV 7 - 2004-04-17

Copyright FCI.

Copyright FCI.



	PF TYPE ASS'Y MICRO TCA catalog	drawing no 10058835	Rev. G
	STATUS: Released		CUSTOMER DRAWING sheet 5 of 6 Printed: Aug 05, 2009

REV 7 - 2008-04-17

1 2 3 4

NOTES:

1. MATERIAL:
 - HOUSING: HIGH TEMPERATURE, GLASS FILLED UL94V-0 RATED.
 - TERMINAL: COPPER ALLOY
 - PLATING: 1.27um NICKEL UNDERPLATE ALL OVER
 - CONTACT AREA PLATING - SEE PRODUCT NUMBER CODE
 - SOLDER TAIL: MAT TIN - 2.54um MIN. SEE PRODUCT NUMBER CODE
2. PRODUCT SPECIFICATION: GS-12-362
3. PACKING SPECIFICATION: GS-14-1047
4. RoHS COMPATIBLE PRODUCT SPECIFICATIONS
 - a-PLATING:
 - "LF" MEANS THE PRODUCT IS LEAD-FREE, 2um MINIMUM MATTE TIN OVER 1.27um MINIMUM NICKEL UNDERPLATE.
 - b-MANUFACTURING PROCESS COMPATIBILITY
 - THE HOUSING WILL WITHSTAND EXPOSURE TO 260°C±5°C SOLDER BATH TEMPERATURE FOR 5 SECONDS IN A REFLOW SOLDER APPLICATION WITH A 1.6mm MIN THICK CIRCUIT BOARD.

PRODUCT NUMBER CODE
10058835 - X X X X L F

HOUSING COLOR OPTIONS
1-BLACK
2-WHITE

PEGS OPTIONS
0-PLASTIC PEGS

TERMINAL PLATING OPTIONS
0-0.76um Au CONTACT AREA

LEAD FREE

RESERVE
0-----WITHOUT MYLAR
1-----WITH MYLAR(35X8)
2-----WITH MYLAR(70X7.5)

5. MARKING INFORMATION:

P X X X X X X X X

- PRODUCTION LINE CODE
- DATE CODE THROUGH 01 TO 31
- WEEK NUMBER 01 THROUGH 53
- YEAR CODE:
MOST RIGHT OF DIGIT OF PRODUCTION.
(e.g 2007=7)
- MANUFACTURE SITE: 2 FOR DONGGUAN
- SOURCE,P FOR CHINA

HEIGHT OF THE MAKING TEXT: IMM MIN

tolerance unless otherwise specified	
linear	.X ± .3 .XX ± .2 .XXX ± .1
angles	0° ± 2°



SMT TYPE ASS'Y
MICRO TCA

Part no

10058835

Rev.
G

PDM: Rev:G

STATUS: Released

CUSTOMER DRAWING sheet 6 of 6
Printed: Aug 05, 2009

Copyright FCI.